



# Long Agribusiness

**PARTS MANUAL**



**FARMTRAC TRACTOR**

**MODELS: 70/80**



## COMMON SENSE SOLUTIONS

Long Agribusiness, LLC

TARBORO, NC 27886 • (252) 823-4151

**70/80**

Thank you for purchasing this fine piece of LongAgribusiness equipment. Your equipment is a quality product, carefully designed and manufactured for easy use and minimal maintenance. This equipment is constructed of premium components and is as durable as you'll find.

This piece of LongAgribusiness equipment is an investment which deserves the best in maintenance and service. Proper care will allow full return on your investment. Replace parts only with LongAgribusiness approved replacement parts. Use of non-approved parts will automatically void any warranty!

Record the serial number, chassis number and model number here. Any communication regarding equipment sold by LongAgribusiness or its dealers must include these reference numbers. In the event parts are needed for this equipment these reference numbers will help speed up your order.

SERIAL \_\_\_\_\_

CHASSIS \_\_\_\_\_

MODEL \_\_\_\_\_

**WARRANTY DISCLAIMER**

THE LIMITED WARRANTY OF THE MANUFACTURER FOR ITS PRODUCTS DOES NOT INCLUDE:

1. ANY WARRANTIES OF MERCHANTABILITY OR OF FITNESS FOR A PARTICULAR USE.
2. ANY IMPLIED WARRANTIES OF ANY KIND.
3. LIABILITY FOR CONSEQUENTIAL DAMAGES SUCH AS THOSE RESULTING FROM LOSS OF USE OF THE PRODUCT OR LOSS OF PROFITS OR DAMAGE TO CROPS.
4. LIABILITY OF ANY KIND WHERE THE PRODUCT HAS BEEN FAULTY ERECTED, ALTERED, MISUSED, ABUSED, IMPROPERLY ASSEMBLED AND OR ATTACHED, OR INVOLVED IN AN ACCIDENT.
5. LIABILITY OF USING COMPONENTS INCLUDING BOLTS AND WASHERS, OTHER THAN THOSE IDENTIFIED BY PARTS MANUAL OR THE SPECIFICATIONS IN THE OWNER'S MANUAL.

SEE OWNER'S MANUAL FOR FULL TEXT OF MANUFACTURER'S LIMITED WARRANTY.

**CAUTION**

**DO NOT OPERATE**

Until you have read the owner's manual. If you did not receive a copy, one may be obtained by contacting:



P.O. BOX 1139, Tarboro, N.C. 27886  
252-823-4151 FAX: 252-823-4576  
e-mail: [service@longagri.com](mailto:service@longagri.com)

894384

The information contained herein is from data available at the time of printing. LongAgribusiness, LLC, reserves the right to make changes in specifications shown herein or to add improvements without notice and without incurring obligation.

**CALIFORNIA PROPOSITION 65 WARNING**

Diesel engine exhaust and some of its constituents are known to the State of California to cause cancer, birth defects and other reproductive harm.



<b>ENGINE SECTION</b> .....	1-36	<b>CLUTCH</b> .....	95-106
70 Model .....	1-14	Clutch Housing .....	95-98
Cylinder Block & Cylinder Head .....	1-4	70 Model .....	95-96
Crankshaft & Flywheel Assembly .....	5-6	80 Model .....	97-98
Camshaft & Rocker Arm .....	7-10	Clutch Inner Controls .....	99-100
Piston & Connecting Rod .....	11-12	Clutch Outer Controls .....	101-102
Oil Pump & Oil Pan .....	13-14	PTO Clutch Outer Controls .....	103-104
80 Model .....	15-36	Clutch Assembly .....	105
Cylinder Block .....	15-16	Clutch Shafts .....	106
Cylinder Head .....	17-18	<b>GEAR BOX</b> .....	107-121
Crankshaft, Piston & Connecting Rod .....	19-20	Housing - Gear Box .....	107-108
Flywheel .....	21-22	Lever's Cover .....	109
Timing Gear & Camshaft .....	23-24	Transmission Outer Control .....	110
Rocker Shaft .....	25-26	Reverser Outer Control .....	111-112
Balancer Unit .....	27-28	Gear Box Inner Controls .....	113
Lubricating Oil Sump .....	29-30	Reducer Inner Controls .....	114
Lubricating Oil Filter & Oil Cooler .....	31-32	Reverser Inner Controls .....	115-116
Cylinder Head Cover & Lubricating Oil .....	33-34	Primary Shaft .....	117-118
Gear Drive Auxiliary .....	35-36	Secondary Shaft .....	119-120
<b>AIR INTAKE &amp; EXHAUST SYSTEM</b> .....	37-42	Reverse Gear .....	121
Air Cleaner-Dry Element Type .....	37-38	<b>REAR END &amp; PTO</b> .....	122-137
Intake Manifold & Exhaust System .....	39-42	Rear Differential .....	122-123
70 Model .....	39-40	Bevel Gear Set .....	124-125
80 Model .....	41-42	Rear Differential Lock .....	126
<b>FUEL SYSTEM &amp; THROTTLE LINKAGES</b> .....	43-74	Rear Differential Linkage .....	127
70 Model .....	43-64	PTO Inner Gears & Shaft .....	128-129
Fuel System .....	43-46	PTO Outer Controls .....	130-131
Fuel Injection Pump .....	47-50	PTO (540 RPM) .....	132
FIP Governor Mechanical .....	51-54	PTO Guard .....	133
Injector Assembly .....	55-56	Axle Shafts .....	134-135
Fuel Feed Pump & Pre-Filter .....	57-58	Final Drive Housing .....	136
Fuel Filter Assembly .....	59-60	Rear Wheels .....	137
Throttle & Acceleration Controls .....	61-64	<b>BRAKE SYSTEM</b> .....	138-143
80 Model .....	65-74	Brakes .....	138
Fuel System .....	65-66	Brake Release System .....	139
Fuel Injection Equipment .....	67-68	Brake Pedals .....	140-141
Low Pressure Fuel System .....	69-72	Hand Brake .....	142-143
Throttle & Acceleration Controls .....	73-74	<b>HYDRAULIC SYSTEM</b> .....	144-165
<b>COOLING SYSTEM</b> .....	75-80	Hydraulic Body .....	144-145
Radiator .....	75	Ram Cylinder .....	146-147
Water Pump - 70 Model .....	76	Inside Lifting Control .....	148-149
Water Pump, Thermostat & Heat		Draft Sensor .....	150-151
Exchanger - 80 Model .....	77-78	Outer Lifting Control .....	152-153
Fan Drive - 80 Model .....	79-80	Outer Lifting Control Levers .....	154-155
<b>FRONT END &amp; STEERING</b> .....	81-94	Main Distributor Valve .....	156-159
Front Wheel Assembly .....	81-82	Hydraulic Lift Linkages .....	160-161
Axle & Steering Parts - Hydrostatic .....	83-86	Double Acting Spool Valve .....	162-163
Steering Motor & Pipes - 70 Model .....	87-90	Hydraulic Pump .....	164-165
Pump Hydraulic & Steering Motor .....	91-94		



**ELECTRICALS, GAUGES & LIGHT SYSTEM** . . . . .166-184

  Starter Motor & Relay Assembly

    70 Model . . . . .166-169

  Starter Motor

    80 Model . . . . .170-171

  Alternator & Guard

    70 Model . . . . .172-173

  Alternator & Generator

    80 Model . . . . .174-175

  Battery & Battery Support . . . . .176-177

  Electrical Switches . . . . .178-179

  Instrument Cluster & Tachodrive . . . . .180-181

  Wiring Harness System . . . . .182-183

  Head & Work Lamp . . . . .184

**SHEET METAL** . . . . .185-205

  Radiator Shell . . . . .185-188

    70 Model . . . . .185-186

    80 Model . . . . .187-188

  Side Panels . . . . .189-192

    70 Model . . . . .189-190

    80 Model . . . . .191-192

  Rear Hood . . . . .193-196

    70 Model . . . . .193-194

    80 Model . . . . .195-196

  Running Board . . . . .197-200

  Fenders . . . . .201-202

  Deluxe Seat Assembly . . . . .203-204

  ROPS . . . . .205

**DECALS** . . . . .206-211

  Decals . . . . .206-211

**OPTIONS** . . . . .212-217

  Front End Weights . . . . .212-213

  Rear End Weights . . . . .214-215

  Swinging Drawbar . . . . .216-217

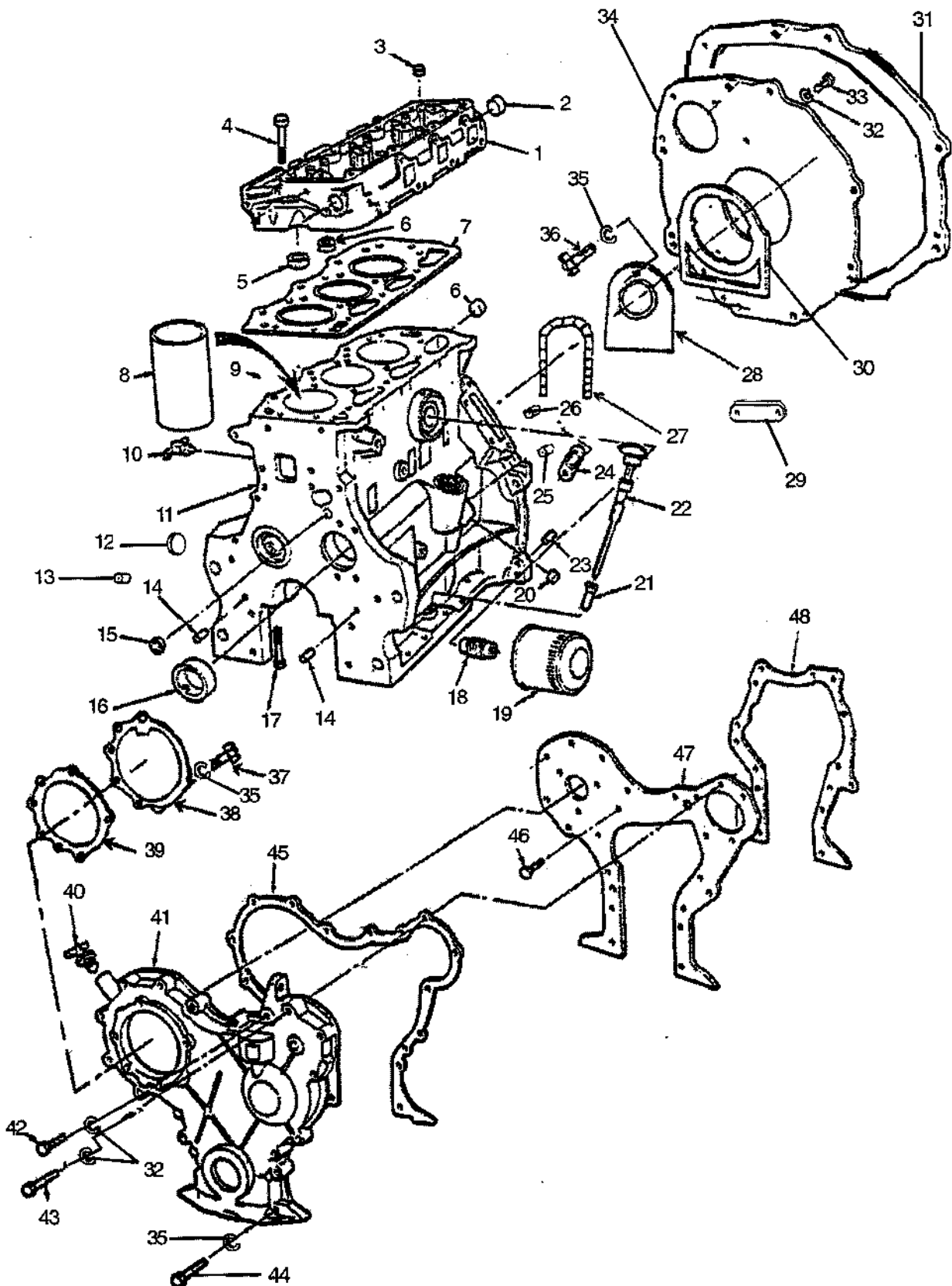
  

**NUMERICAL INDEX** . . . . .iii-xxv

  By Long Part Number . . . . .ii-xii

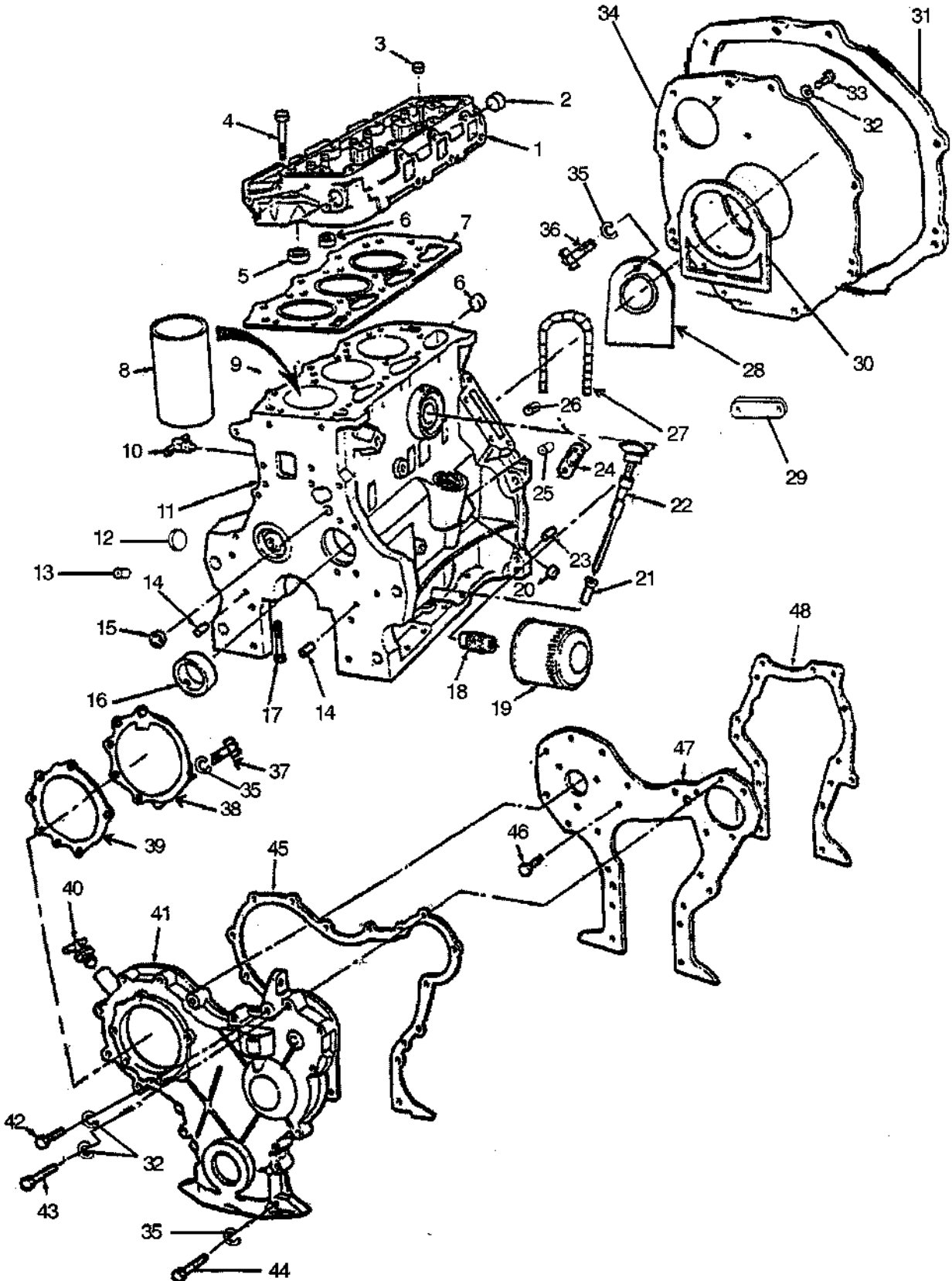
  By Vendor Part Number . . . . .xiii-xxv

***ENGINE SECTION  
(FT 70 ONLY)***



CYLINDER BLOCK & CYLINDER HEAD

<b>ITEM</b>	<b>LONG No.</b>	<b>VENDOR No.</b>	<b>DESCRIPTION</b>	<b>QTY.</b>
				<b>70</b>
1	ESL10092	11-60090-AA	Head Assembly, Cylinder (Includes Items #2-5)	1
2	ESL10027	390629-S36	Plug (1.814 Cup, Outer Dia) O/S	3
3	ESL10032	390625-S36	Plug Cup (1.185 - Outer Dia) O/S	3
4	ESL11737	89NH-6065-AA	Bolt, Hex Head (9/16)	10
5	ESL12032	11-65057-AA	Insert, Exhaust Valve Seat	3
6	ESL10017	11-65087-AA	Insert, Intake Valve Seat	3
7	ESL10039	90NH-6051-AA	Gasket, Cylinder Head	1
8	ESL10051	D8NN-6N009-AA	Sleeve - Block Assembly (for Service Only)	3
9	ESL10120	E7NN-6A008-AA	Dowel	2
10	ESL10492	C5NN-8115-B	Drain, Cock Assembly	1
11	ESL10093	92NH-6010-BA	Block Assembly, Cylinder	1
12	ESL13095	390627-S	Plug Cup - (1.56 Outer Dia)	2
13	ESL11189	87838-S36	Plug, Sock Hex Head (3/8x0.42)	3
14	ESL13096	73329-S	Pin, Dowel (3/8x1.125)	2
15	ESL10089	378336-S36	Plug - Cup	1
16	ESL10167	SPF.994.001	Bush(es), Camshaft (Set of 4 Bushes)	1
17	ESL11738	379548-S	Bolt (9/16-12x4.45)	8
18	ESL10082	D0NN-6890-A	Mounting Bolt, Oil Filter	1
19	ESL10083	79NH-6714-AA	Filter Assembly, Engine Oil	1
20	ESL10045	87652-S36	Plug, Hex Head (3/8-18)	1
21	ESL10052	73NH-6784-A	Tube, Oil Level Indicator	1
22	ESL10054	93NH-6750-AA	Indicator Oil Level	1
23	ESL10071	385456-S	Pin, 1/2x1.00 Dowel	2
24	ESL10072	74NH-6438-A	Cover, Flywheel Access	1
25	ESL10088	87650-S36	Plug - 1/8-27 - Hex Head	1
26	ESL10047	390488-S36	Plug - Rear Thread	1
27	ESL10086	E5HN-6N305-AA	Gasket, Crankshaft Rear, Oil	1
28	ESL10087	93NH-6N306-AA	Plate, Crankshaft Oil Seal Rear	1
29	ESL10081	D0NN-6N011-A	Stiffner, Rear Cover Plate	1
30	ESL10070	C7NN-6N008-A	Gasket, Block to Rear Plate	1
31	ESL10080	D0NN-6N012-A	Gasket, Rear Plate to Transmission	1
32	34807-S8	34807-S36	Washer, Lock (3/8)	10
33	304650-S8	304650-S36	Bolt, Hex (3/8-16 x 0.75)	1
34	ESL10069	73NH-6A373-A	Plate, Engine Rear Cover	1
35	34806-S8	34806-S36	Washer, Lock (5/16)	8
36	304682-S8	304682-S36	Bolt, Hex Head (5/16-18x1.00)	1
37	304648-S8	304648-S36	Bolt, Hex Head (5/16-18 x 0.75)	4
38	ESL10074	82NH-9G524-AA	Cover, FIPTiming	1
39	ESL10075	C5NE-9F598-A	Gasket, Timing Cover	1
40	ESL10060	93NH-6N609-AA	Cap, Oil Filter Tube	1



CYLINDER BLOCK & CYLINDER HEAD

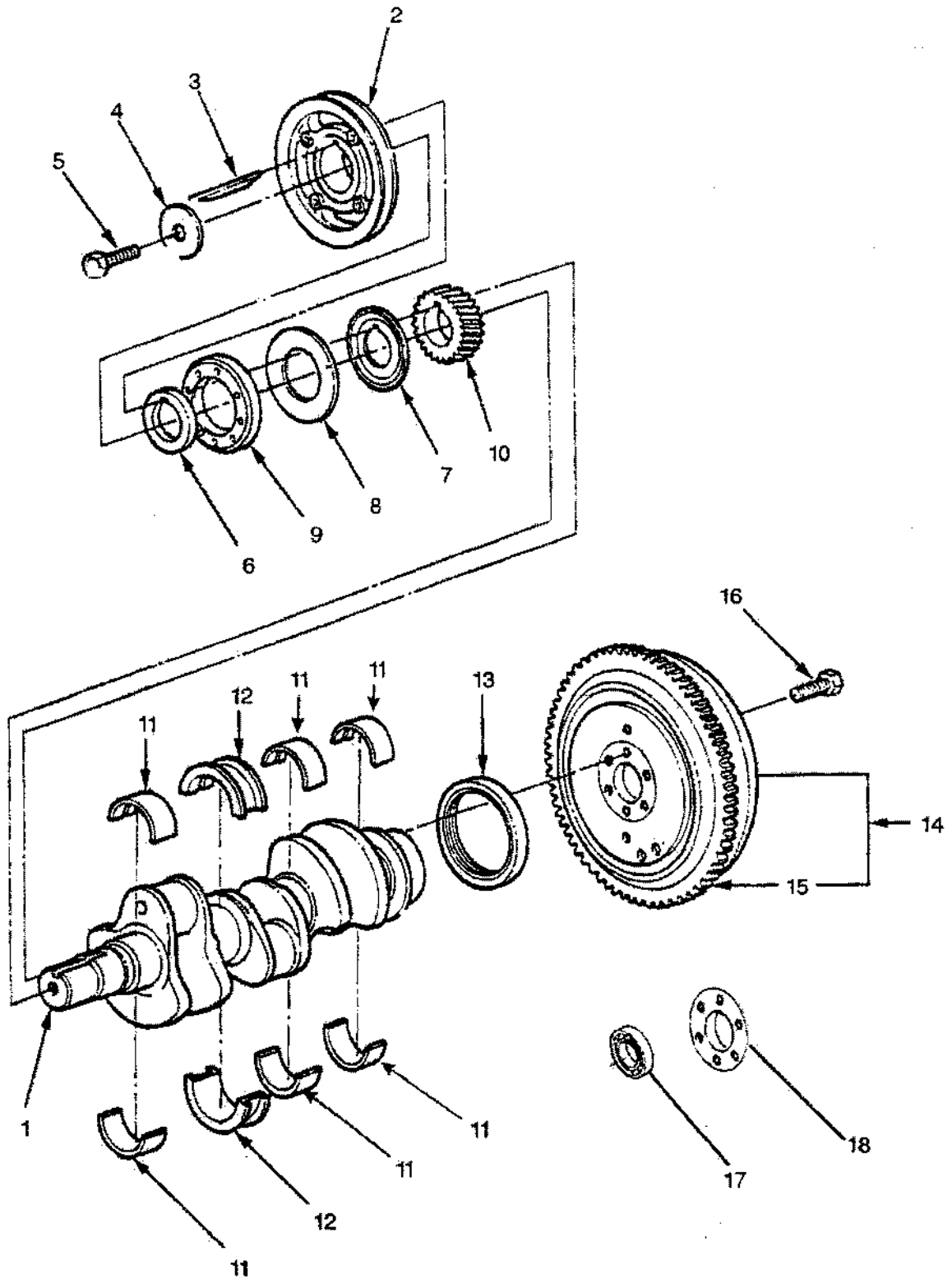




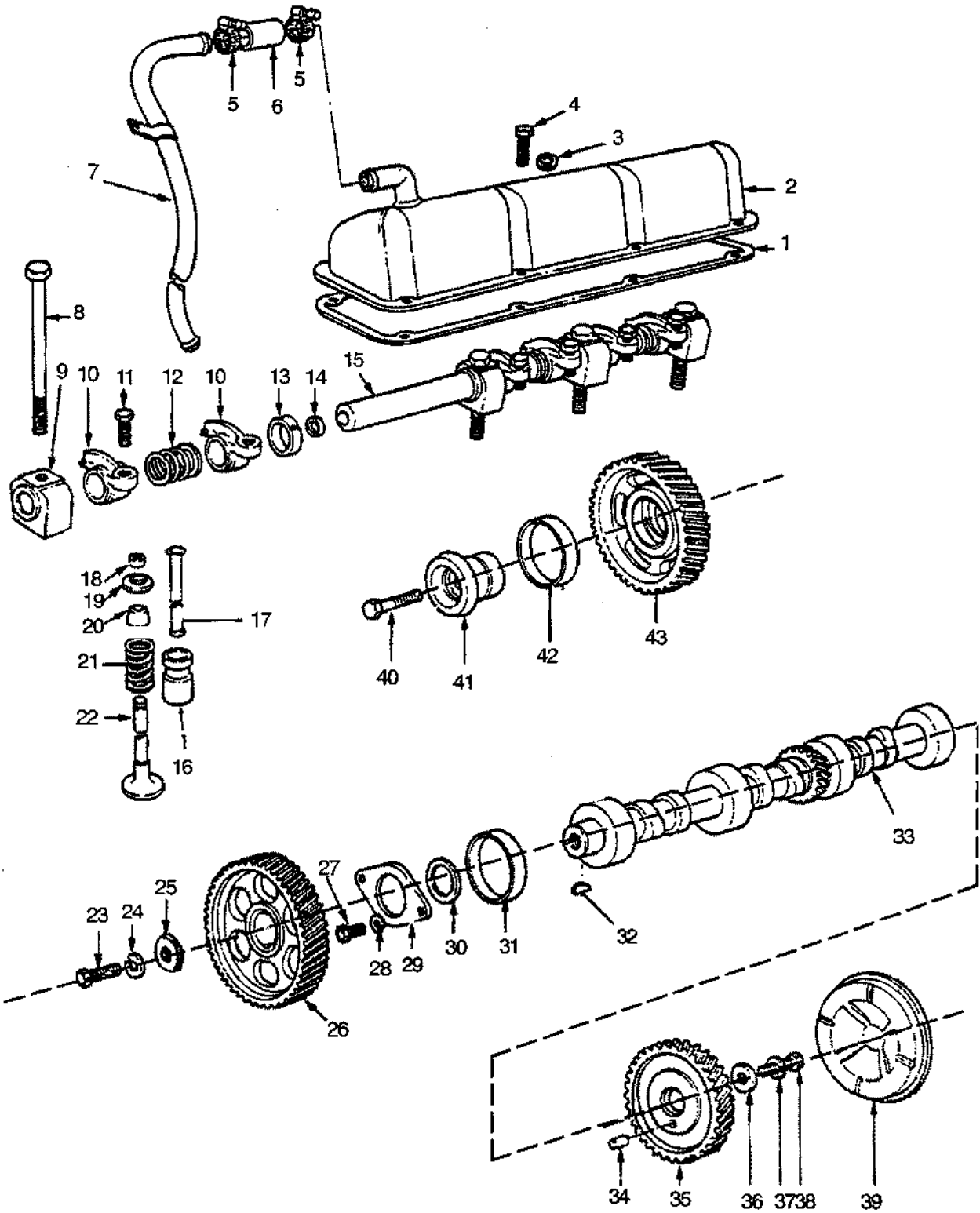
<b>ITEM</b>	<b>LONG No.</b>	<b>VENDOR No.</b>	<b>DESCRIPTION</b>	<b>QTY.</b>
				<b>70</b>
41	ESL13323	11-61059-AA	Cover, Cylinder Front	1
42	58639-S8	58639-S36	Bolt, Hex Head (3/8-16 x 2.25)	8
43	304760-S8	304760-S36	Bolt, Hex Head (3/8-16 x 1.50)	1
44	300866-S8	300866-S36	Bolt, Hex Head (5/16-18 x 2.12)	3
45	ESL13324	11-61021-AA	Gasket, Engine Front Cover	1
46	45964-S8	45964-S36	Bolt, Hex Head (5/16-18x0.75)	4
47	ESL10066	82835331	Plate, Engine Front Cover	1
48	ESL10068	E6NN-6C045-BA	Gasket, Engine Front Plate	1
49	ESL12021	33850-S36	Nut, Hex (5/8-18) (NI)	1
50	ESL10084	379275-S94	Seal (NI)	1

**Service Kits & Sub-Assemblies:**

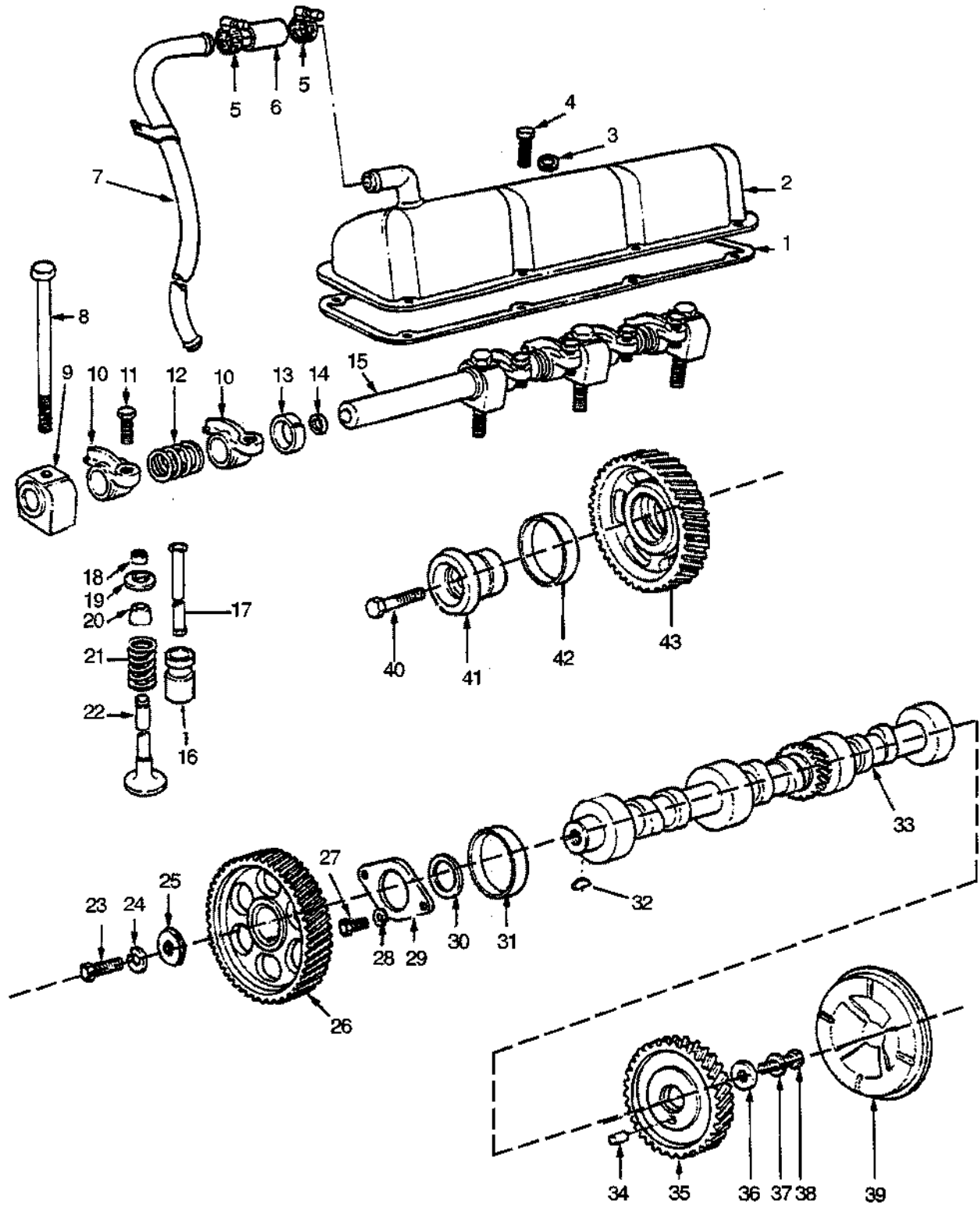
A	ESL12620		Engine Assembly - Complete w/o Electricals	1
B	ESL12621		Engine Assembly - Complete w/Starter & Alternator	1
C	ESL13321	SPF.787.002	Engine Overhauling Gasket Set	1
D	ESL13322	SPF.788.002	Decarbonising Kit	1
E	ESL10096	SPF.794.000	Engine Plug Kit - Std.	1
F	ESL10097	SPF.794.001	Engine Plug Kit - Oversized	1



<b>ITEM</b>	<b>LONG No.</b>	<b>VENDOR No.</b>	<b>DESCRIPTION</b>	<b>QTY.</b>
				<b>70</b>
1	ESL12622	25-63302-AA	Crankshaft & Gear Assy.	1
2	ESL10103	25-63312-BA	Pulley, Crankshaft (Single Groove)	1
3	ESL10105	F0NN-6N300-AA	Key, Engine Timing Gear	1
4	44748-S8	382675-S	Washer, Flat (3/4)	1
5	304807-S8	304807-S36	Bolt, Hex Head (3/4 - 16 x 1.75)	1
6	ESL10108	11-61306-AA	Spacer, Crankshaft Pulley	1
7	ESL10109	87133-S96	'O' Seal	1
8	ESL10110	C5NE-6B309-A	Seal, Crankshaft Dust	1
9	ESL10111	87800696	Seal Assembly Oil, Front	1
10	ESL10113	91NH-6306-AA	Gear, Crankshaft	1
11,12				
-	ESL13271	SPF.381.100	Main Bearing Set - Std.	1
-	ESL12149	SPF.383.110	Main Bearing Set - 0.10	1
-	ESL12150	SPF.384.120	Main Bearing Set - 0.20	1
-	ESL12151	SPF.385.130	Main Bearing Set - 0.30	1
-	ESL12152	SPF.386.140	Main Bearing Set - 0.40	1
			(Consists of 4 pairs of Main Bearings)	
13	ESL10115	E5NN-6701-AA	Seal Assembly, Crankshaft Rear Oil	1
14	ESL12129	25-63370-BA	Flywheel Assembly	1
15	ESL10118	E2NN-6384-AA	Gear, Flywheel	1
16	43164-S2	43164-S2	Bolt (9/16-18 x 1.625)	6
17	ESL13325	11-75600-AA	Bearing Clutch Pilot	1
18	ESL13326	C5NN-7600-B	Retainer Clutch Pilot Bearing	1
19	ESL10121	SPF.491.100	Engine Brg Set - Standard	1
-	ESL10122	SPF.492.110	Engine Brg Set - 0.10 O/S	1
-	ESL10174	SPF.493.120	Engine Brg Set - 0.20 O/S	1
-	ESL10175	SPF.494.130	Engine Brg Set - 0.30 O/S	1
-	ESL10176	SPF.495.140	Engine Brg Set - 0.40 O/S	1
			(Consists Of Main Bearings, Rod Bearings for an Engine)	

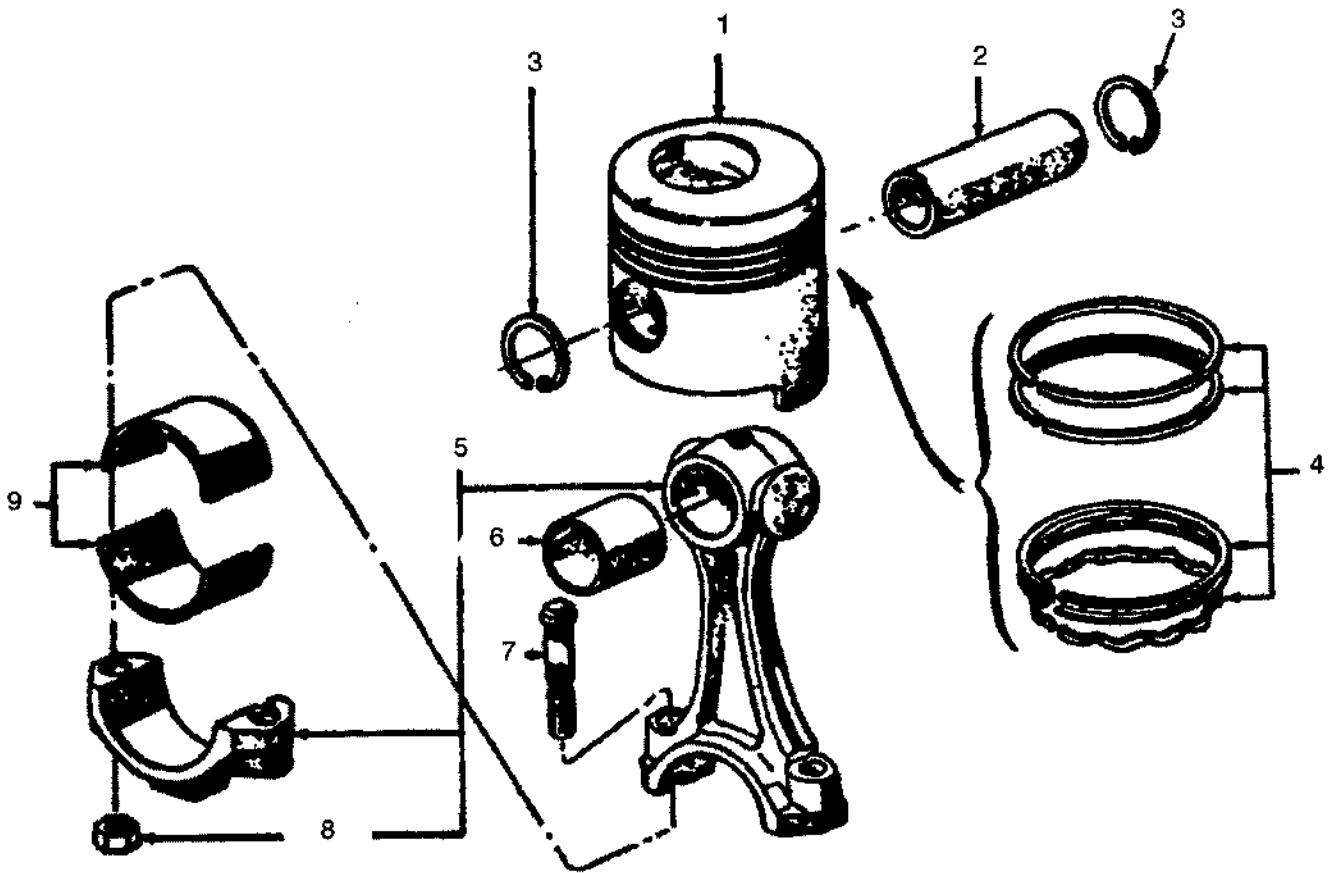


<b>ITEM</b>	<b>LONG No.</b>	<b>VENDOR No.</b>	<b>DESCRIPTION</b>	<b>QTY. 70</b>
1	ESL10140	D7NN-6582-C	Cover Assembly, Valve Rocker Arm	1
2	ESL10141	C7NN-6584-B	Gasket, Rocker Arm Cover	1
3	34806-S8	34806-S36	Washer, Lock (5/16)	8
4	304634-S8	304634-S36	Bolt, Hex Head (5/16 - 18 x 0.625)	8
5	ESL10161	81NH-6828-A	Clamp, Crankcase Vent Tube	2
6	ESL10157	C5NE-6853-A	Hose, Crankcase Vent	1
7	ESL12626	11-68578-AA	Tube Assembly, Crankcase Vent	1
8	ESL11739	89NH-6065-BA	Bolt, Cylinder Head (9/16")	4
9	ESL10133	D5NN-6531-A	Support, Valve Rocker Arm	4
10	ESL12130	C5NE-6529-A	Arm Assembly, Valve Rocker (Includes Item #11)	6
11	ESL10131	89NH-6549-AA	Screw, Rocker Arm Adjusting	6
12	ESL10134	C5NE-6587-A	Spring, Rocker Arm Locating	3
13	ESL10135	71NH-6590-A	Spacer, Rocker Arm	3
14	ESL10046	376099-S	Plug (0.761 Dia)	2
15	ESL10132	E7NN-6563-AA	Shaft, Valve Rocker Arm	1
16	ESL10127	C7NN-6500-B	Tappet Valve	6
17	ESL10128	C5NE-6567-B	Rod, Valve Push	6
18	ESL10138	83NH-6518-AA	Key, Valve Spring Retainer	12
19	ESL10137	D0NN-6514-A	Retainer, Valve Spring	6
20	ESL10139	91NH-6571-AA	Seal, Valve Stem	6
21	ESL10136	C7NN-6513-A	Spring, Valve	6
22	ESL12030	SPF.587.000	Valve Set INEX, Standard	1
-	ESL12136	SPF.587.005	Valve Set INEX, 0.005 O/S	1
-	ESL12137	SPF.587.010	Valve Set INEX, 0.010 O/S	1
-	ESL12138	SPF.587.015	Valve Set INEX, 0.015 O/S	1
-	ESL12139	SPF.587.030	Valve Set INEX, 0.030 O/S	1
23	304724-S8	304724-S36	Bolt, Hex Head (7/16-14x1.25)	1
24	34808-S8	34808-S36	Washer, Lock (7/16)	1
25	ESL11644	C5NE-6278-A	Washer, Camshaft Gear	1
26	ESL10149	C9NN-6N251-A	Gear Assembly, Camshaft Drive	1
27	304648-S8	304648-S36	Bolt, Hex Head (5/16-18x0.75)	2
28	34806-S8	34806-S36	Washer, Lock (5/16)	2
29	ESL10152	D8NN-6269-AA	Plate, Camshaft Thrust	1
30	ESL10150	C5NE-6265-A	Spacer, Camshaft Gear	1
31	ESL10167	SPF.994.001	Cam Bush (Set)	4
32	74178-S8	74178-S	Key, Woodruff (3/16x0.75)	1
33	ESL10143	82835182	Camshaft, Engine	1
34	ESL10155	382015-S	Pin, Dowel (5/16x0.625)	1
35	ESL10154	C5NE-907-C	Gear, Hydraulic Pump Drive	1
36	ESL11644	C5NE-6278-A	Washer, Camshaft Gear	1



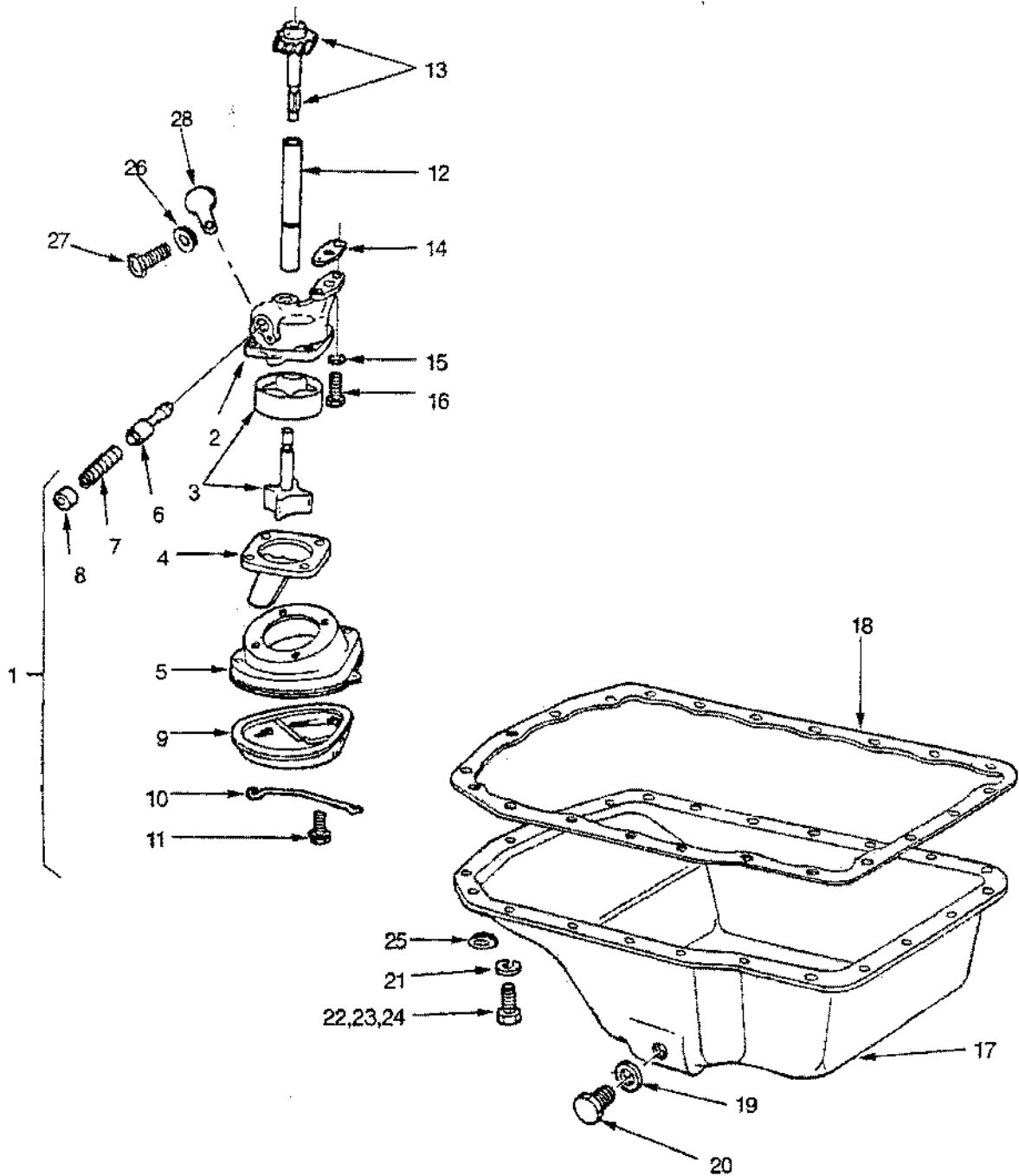


<i>ITEM</i>	<i>LONG No.</i>	<i>VENDOR No.</i>	<i>DESCRIPTION</i>	<i>QTY.</i>
				<b>70</b>
37	34808-S8	34808-S36	Washer, Lock (7/16)	1
38	304724-S8	304724-S36	Bolt	1
39	ESL10156	C5NN-D851-B	Cover, Camshaft Rear End	1
40	43191-S2	43191-S2	Bolt, Cam Drive Gear Adapter	1
41	ESL10147	93NH-6A255-AA	Adapter, Camshaft Drive Gear	1
42	ESL10146	C5NE-6A254-A	Bush, Camshaft Drive Gear	1
43	ESL10145	C9NN-6A253-A	Gear Assembly, Camshaft Drive	1





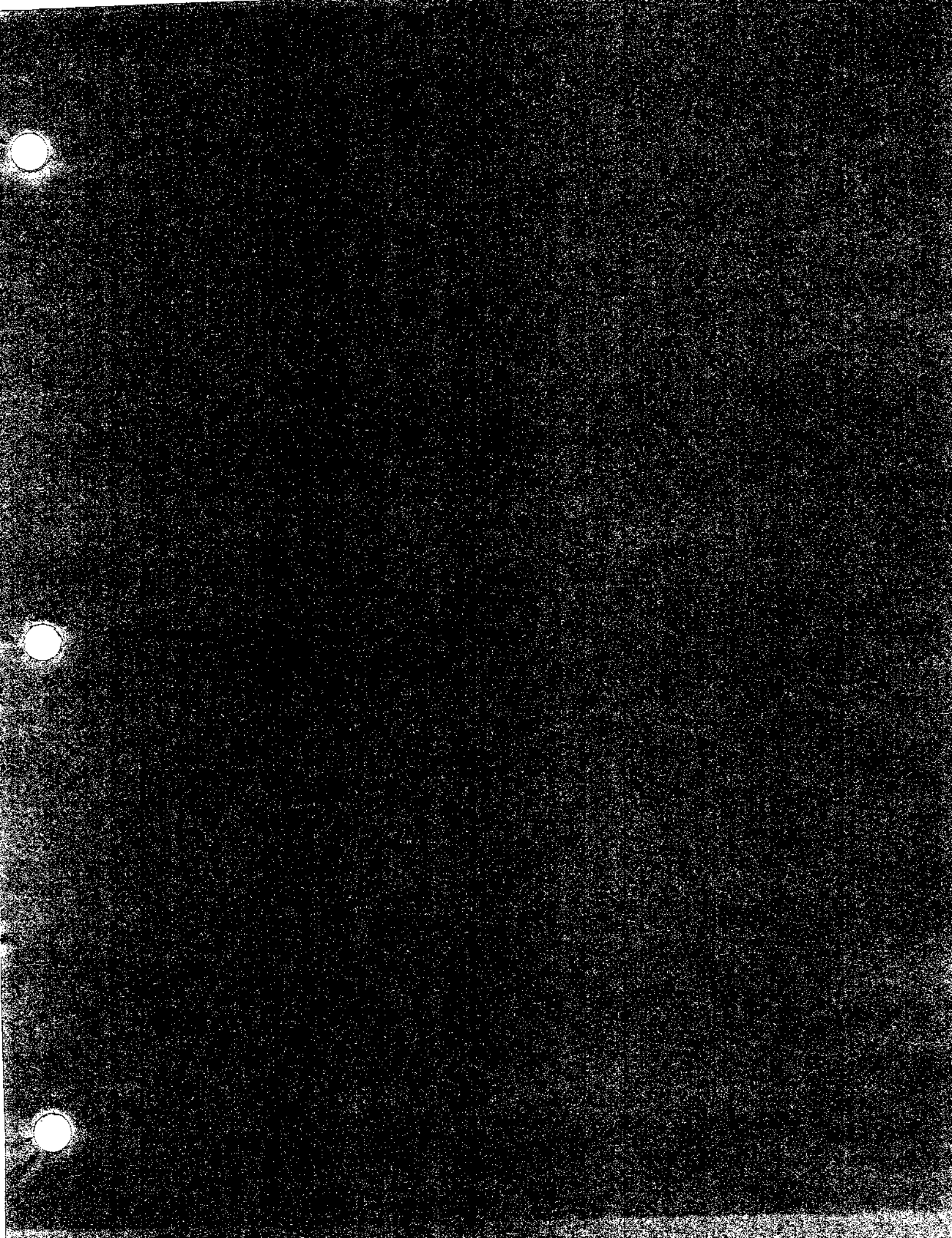
<i>ITEM</i>	<i>LONG No.</i>	<i>VENDOR No.</i>	<i>DESCRIPTION</i>	<i>QTY.</i>
				<b>70</b>
1	ESL12627	SPF.370.000	Piston Assembly Set (Includes Items #2,3 for all cylinders)	1
2			Pin, Piston (NSS)	3
3			Retainer, Pin Piston - (NSS)	6
4	ESL10171	SPF.290.100	Ring Set, Piston (Includes rings for all Cylinders)	1
5	ESL10172	92NH-6200-AB	Rod Assembly, Connecting (Includes Items # 6-8)	3
6	ESL10173	SPF.487.000	Bush Set, Connecting Rod (Set of 3 bushes)	1
7	ESL11740	E4TN-6214-AB	Bolt Connecting Rod (7/16 - 20)	6
8	370664-S	370664-S	Nut, Hex Lock (7/16 - 20)	6
9	ESL10177	SPF.481.100	Con Rod Brg Set - Std.	1
-	ESL10178	SPF.483.110	Con Rod Brg Set - 010 U/S	-
-	ESL10179	SPF.484.120	Con Rod Brg Set - 020 U/S	-
-	ESL10180	SPF.485.130	Con Rod Brg Set - 030 U/S	-
-	ESL10181	SPF.486.140	Con Rod Brg Set - 040 U/S	-



<b>ITEM</b>	<b>LONG No.</b>	<b>VENDOR No.</b>	<b>DESCRIPTION</b>	<b>QTY.</b>
				<b>70</b>
1	ESL10203	82835192	Pump Assembly, Engine Oil	1
2			Body, Oil Pump (NSS)	1
3	ESL10185	82835193	Rotor & Shaft Assembly	1
4			Cover, Oil Pump (NSS)	1
5			Cover, Oil Pump Screen (NSS)	1
6	ESL10188	D1NN-6A809-A	Valve, Oil Pump Relief	1
7	ESL10189	D1NN-6670-A	Spring, Oil Pump Relief Valve	1
8	ESL10190	D1NN-6674-A	Plug, Oil Pump Relief, Valve	1
9	ESL10191	C7NN-6623-A	Screen Assembly, Oil Pump	1
10	ESL10193	11-66628-AA	Spring, Oil Pump Screen	1
11	ESL11779	82835446	Bolt (M6-1x25)	4
12	ESL10195	82835075	Shaft, Oil Pump, Intermediate	1
13	ESL10196	D3NN-6A820-E	Shaft & Gear Assy. - Oil Pump	1
14	ESL10197	C7NN-6659-A	Gasket, Oil Pump to Block	1
15	ESL11645	73NH-6K632-A	Washer, Lock	2
16	378310-S8	378310-S36	Bolt, Hex (3/8-16x1.38)	2
17	ESL10198	C9NN-6675-A	Pan Assembly, Oil	1
18	ESL10200	82835253	Gasket, Oil Pan	1
19	ESL10201	C9NN-6734-A	Gasket, Oil Pan Drain Plug	1
20	ESL11741	C9NN-6730-B	Bolt, Oil Pump Drain	1
21	34792-S8	34792-S36	Washer, Lock (3/8)	22
22	304666-S8	304666-S36	Bolt Hex-Head (3/8 - 16 x 0.875)	19
23	304684-S8	304684-S36	Bolt Hex-Head (3/8 - 16 x 1.00) , Steering Pipe Clamp (RH)	2
24	304722-S8	304722-S36	Bolt Hex-Head (3/8 - 16 x 1.25), Steering Pipe Clamp (LH)	1
25	44726-S8	44726-S36	Washer, 3/8 - Flat	22
26	N-630173-S8	N-630173-S36	Washer, Lock (M8)	1
27	N-605531-S8	N-605531-S36	Bolt Hex-Head (M8 x 1.25 - 20)	1
28	ESL11646	80NH-6W663-AA	Stop Oil Pump Relief Valve	1

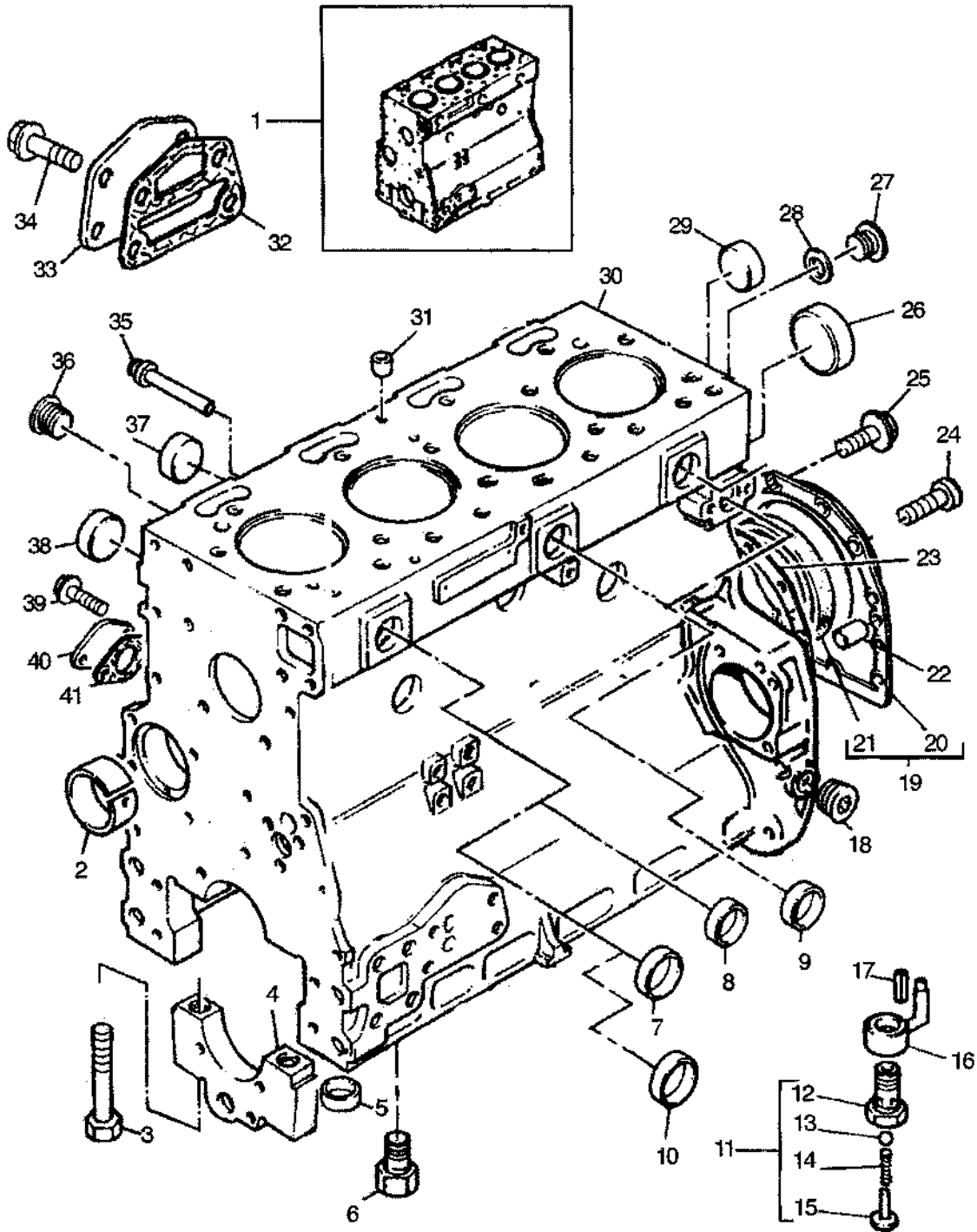
---

**NOTES**





***ENGINE SECTION  
(FT 80 ONLY)***

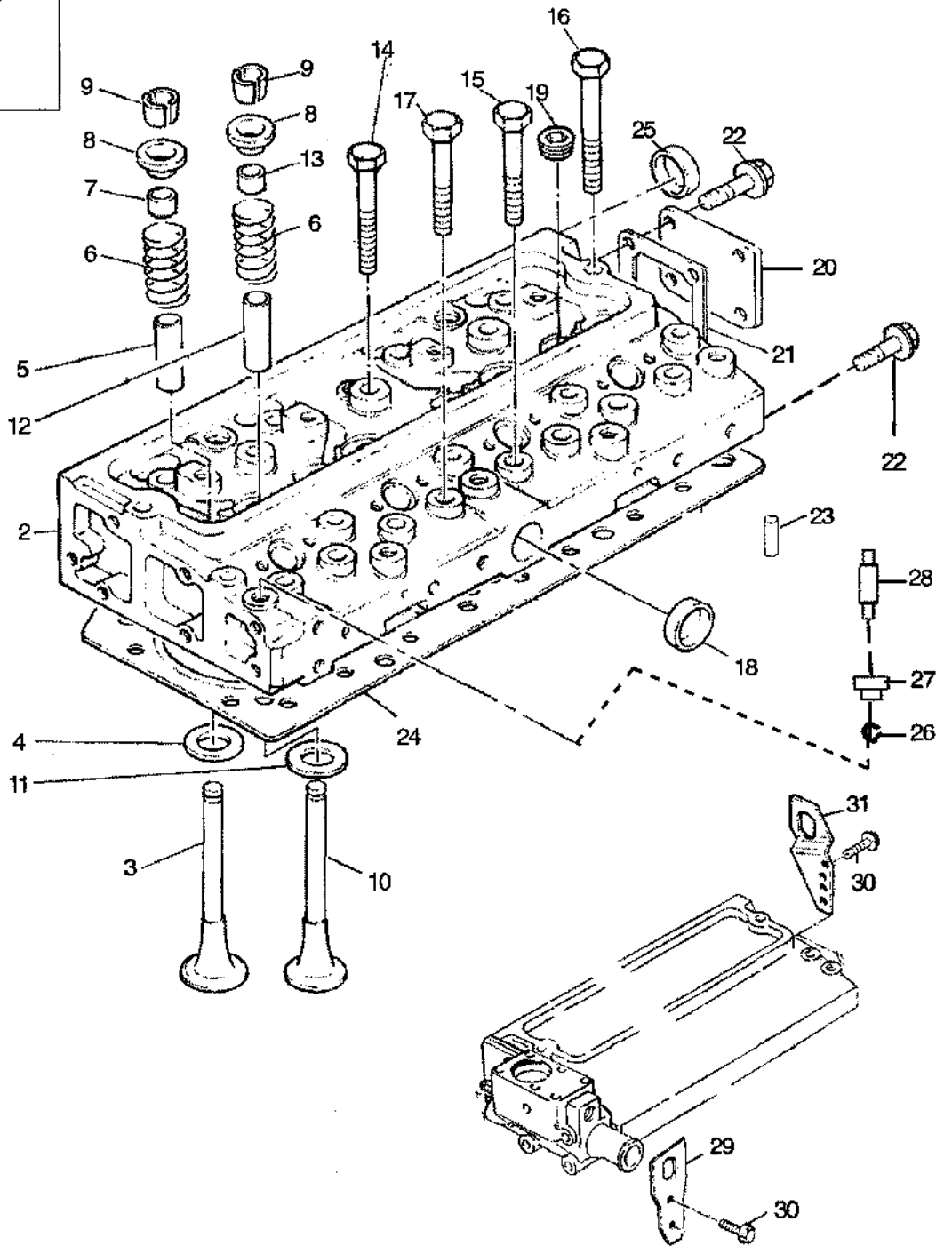
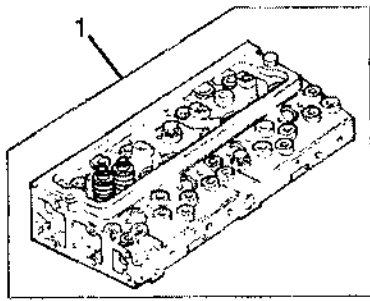


CYLINDER BLOCK

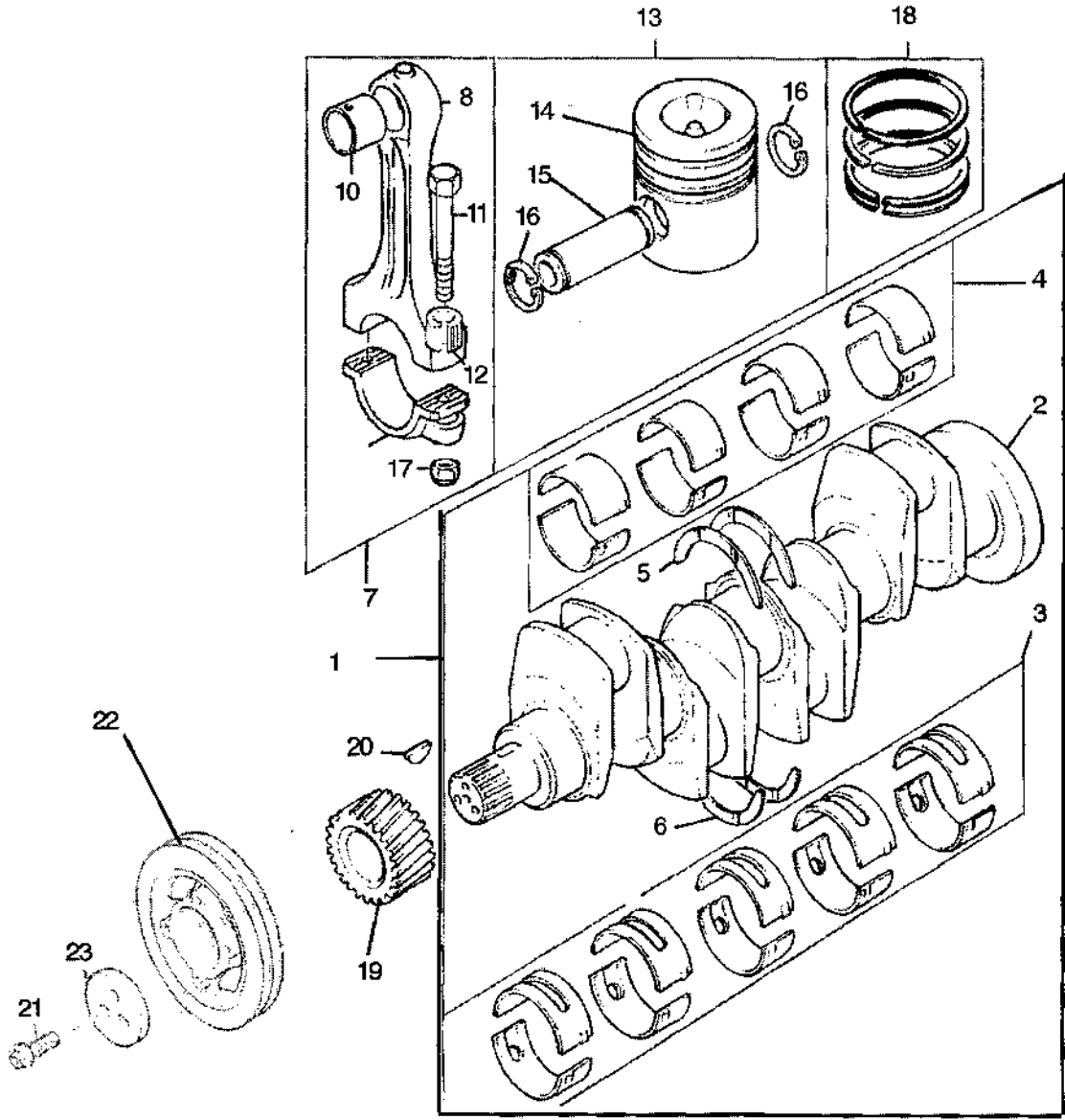




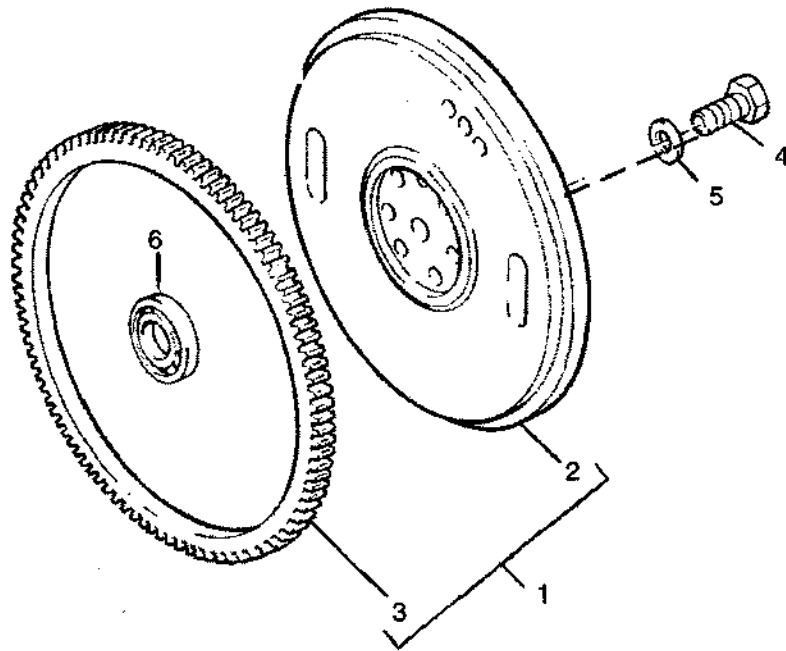
<b>ITEM</b>	<b>LONG No.</b>	<b>VENDOR No.</b>	<b>DESCRIPTION</b>	<b>QTY.</b>
				<b>80</b>
1	ESL13740	ZZ50281	Cylinder Block Assembly	1
2	ESL13746	31134165	Bush, Camshaft	1
3	ESL13745	32166329	Bolt	10
4			Bearing Cap (NSS)	5
5	ESL13744	33142111	Thimble	10
6	ESL13775	3278A003	Plug	4
7	ESL13741	0650710	Plug (Water Jacket, LHS)	5
8	ESL13742	0650710-A	Plug (Water Jacket, RHS)	1
9	ESL13743	0650588	Plug (Water Jacket, RHS)	2
10	ESL13765	3314A103	Plug (Inner Hole)	1
11	ESL13767	4138A017	Valve	1
12			Body, Valve (NSS)	1
13	ESL13768	2538753	Ball	1
14	ESL13769	3174A004	Spring	1
15	ESL13770	3271A003	Retainer	1
16	ESL13776	3861A027	Jet, Piston Cooling	4
17	ESL13766	2116A022	Dowel	1
18	ESL13743	0650588	Plug	1
19	ESL13756	4142V066	Housing, Rear Oil Seal	1
20			Cover (NSS)	1
21	ESL13757	2418F475	Seal	1
22	ESL13761	0350009	Dowel	2
23	ESL13758	3681T018	Joint	1
24	ESL13760	3212V002	Screw	2
25	ESL14146	2314H003	Screw	12
26	ESL13753	32416119	Plug, Cam Shaft Chamber (Rear)	1
27	ESL13754	32168212	Plug, Lub Oil Pressure Rail (Rear)	1
28	ESL13755	3311R003	Washer	1
29	ESL13752	32418122-A	Plug, Water Drain (LHS)	2
30			Block (NSS)	1
31	ESL13750	32417134	Plug, Rocker Oil Feed Hole (Top Face)	1
32	ESL13773	3686T006	Joint	1
33	ESL13772	3623H008	Plate	1
34	ESL13774	2314J033	Screw	4
35	ESL13749	2485A204	Plug, Rocker Oil Feed Hole (RHS)	1
36	ESL13751	32161114	Plug, Water Jacket (Rear Face)	1
37	ESL13748	32416118	Plug	1
38	ESL13747	32418122	Plug (Water Jacket RHS)	4
39	ESL13764	2314H033	Screw	2
40	ESL13762	36171121	Plate	1
41	ESL13763	36832144	Joint	1
42	ESL13777	U5LB0311	Gasket Kit, Block (NI)	1



<i>ITEM</i>	<i>LONG No.</i>	<i>VENDOR No.</i>	<i>DESCRIPTION</i>	<i>QTY.</i>
				<b>80</b>
1	ESL13806	ZZ80255	Kit, Cylinder Head (Includes Items #2-13,18,19,25)	1
2			Cylinder Head (NSS)	1
3	ESL13807	3142H041	Valve Inlet	4
4	ESL13808	3314A101	Insert, Inlet Valve Seat	4
5	ESL13809	3313A012	Guide, Inlet Valve	4
6	ESL13810	3174P412	Spring, Valve	8
7	ESL13811	2418M507	Seal, Valve Stem (Inlet)	4
8	ESL13812	3342N011	Cap, Valve	8
9	ESL13813	3142W004	Cotter	16
10	ESL13814	3142D061	Valve, Exhaust	4
11	ESL13815	3314A102	Insert, Exhaust Valve Seat	4
12	ESL13816	3318A705	Guide, Exhanust Valve	4
13	ESL13818	2418M505	Seal, Valve Stem (Exhaust)	4
14	ESL13826	U3218J303	Screw	8
15	ESL13827	U3218J606	Screw	8
16	ESL13828	U3218J607	Screw	2
17	ESL13817	32166221	Screw	4
18	ESL13741	0650710	Plug	1
19	ESL13823	2431A054	Plug	4
20	ESL14035	3623H024	Cover	1
21	ESL14036	U3685R009	Joint	1
22	ESL13988	2314H002	Screw	5
23	ESL13824	U3244A009	Dowel	2
24	ESL13825	3681E042	Head Gasket	1
25	ESL13747	32418122	Plug	1
26	ESL14159	2411157	Washer	1
27	ESL14160	30-63011-BA	Adapter	1
28	ESL14161	11-12109-BA	Temperature Sending Unit	1
29	ESL14151	U3648C008	Plate	1
30	ESL14054	2314J003	Screw	4
31	ESL14153	3654W007	Plate	1
32	ESL14155	U5LT0317	Decarbonizing Kit	1

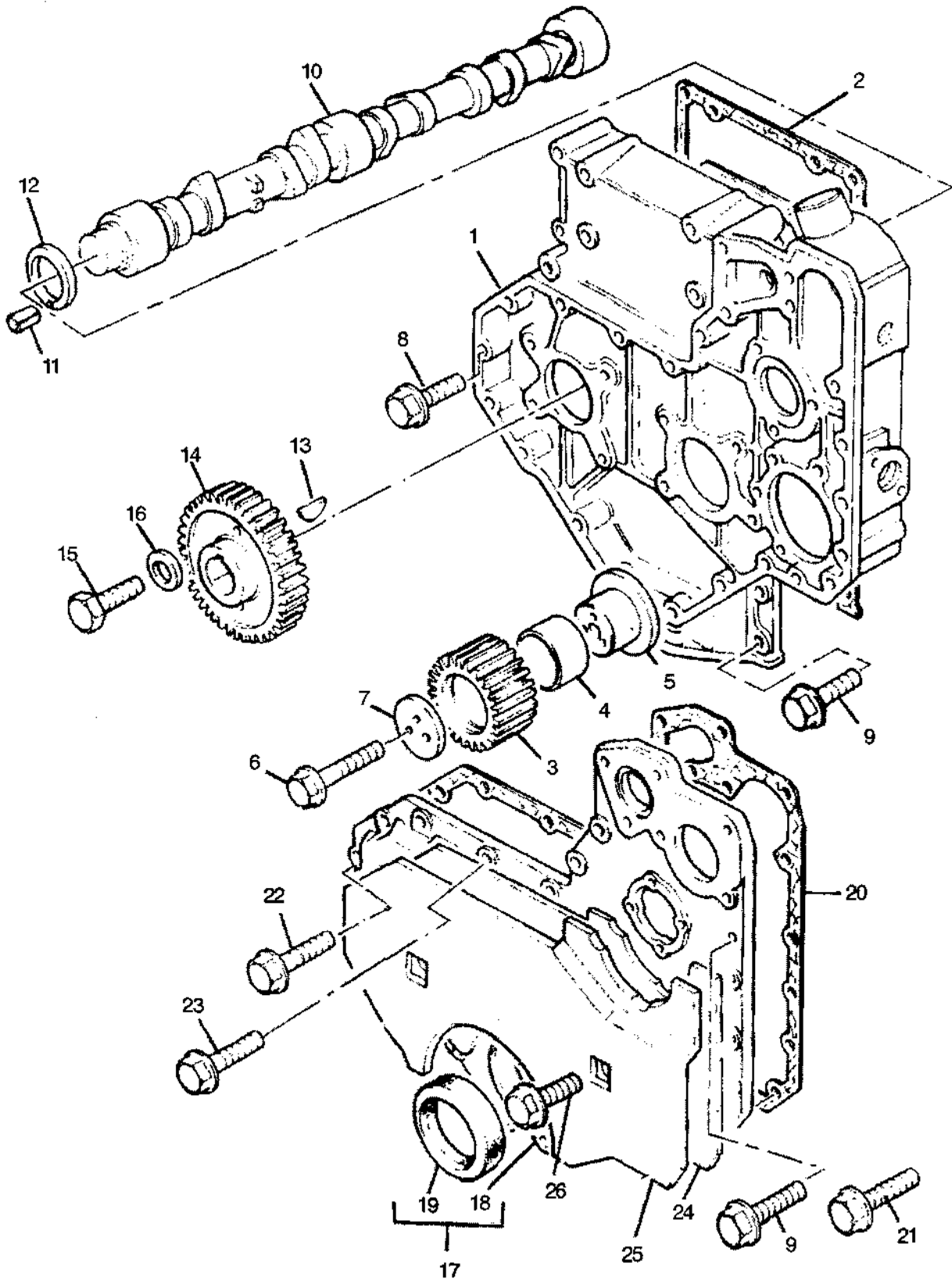


<b>ITEM</b>	<b>LONG No.</b>	<b>VENDOR No.</b>	<b>DESCRIPTION</b>	<b>QTY.</b>
				<b>80</b>
1	ESL13778	ZZ90082	Kit, Crankshaft	1
2			Crankshaft (NSS)	1
3	ESL13779	81558	Kit, Bearing Std.	1
-	ESL13780	81558A	Kit, Bearing 0.10"	AR
-	ESL13781	81558B	Kit, Bearing 0.20"	AR
-	ESL13782	81558C	Kit, Bearing 0.30"	AR
4	ESL13783	U5ME0006	Kit, Bearing, Std.	1
-	ESL13784	U5ME0006A	Kit, Bearing 0.10"	AR
-	ESL13785	U5ME0006B	Kit, Bearing 0.20"	AR
-	ESL13786	U5ME0006C	Kit, Bearing 0.30"	AR
5	ESL13787	31137551	Thrust Washer	2
-	ESL13788	31137312	Thrust Washer 0.007"	AR
6	ESL13789	31137561	Thrust Washer	2
-	ESL13790	31137322	Thrust Washer 0.007"	AR
7	ESL13791	ZZ90188	Kit, Connecting Rod	4
8			Connecting Rod (NSS)	4
9			Cap (NSS)	4
10	ESL13792	3112E011	Bush	4
11	ESL13793	32762144	Bolt, Connection Rod	8
12	ESL13805	2135A001	Thimble	8
13	ESL13794	U5LP0058	Kit, Piston Std.	4
-	ESL13795	U5LP0058B	Kit, Piston 0.5mm	AR
-	ESL13796	U5LP0058D	Kit, Piston 1.0mm	AR
14			Piston (NSS)	4
15			Pin (NSS)	4
16	ESL13797	2721322	Circlip	8
17	ESL13804	33221328	Nut, Connecting Rod	8
18	ESL13799	U4181A045	Kit, Piston Ring Std.	4
-	ESL13800	U4181A046	Kit, Piston Ring 0.5mm	AR
-	ESL13801	U4181A047	Kit, Piston Ring 1.0mm	AR
19	ESL13802	3117C061	Gear, Crankshaft	1
20	ESL13803	0500012	Woodruff Key	1
21	ESL14158	32186137	Bolt	3
22	ESL14156	3115T051	Pulley, Crankshaft	1
23	ESL14157	3241N001	Block	1





<b>ITEM</b>	<b>LONG No.</b>	<b>VENDOR No.</b>	<b>DESCRIPTION</b>	<b>QTY.</b>
				<b>80</b>
1	ESL13942	30-63370-AA	Flywheel Assembly (Includes Items #2-3)	1
2			Flywheel (NSS)	1
3	ESL13943	30-63384-AA	Gear Flywheel	1
4	ESL13941	43116-S2	Bolt, Flywheel Mounting	6
5	ESL13274	30-63373-AA	Retainer Flywheel Mounting Bolt	3
6	ESL13325	11-75600-AA	Bearing, CLutch Pilot	1

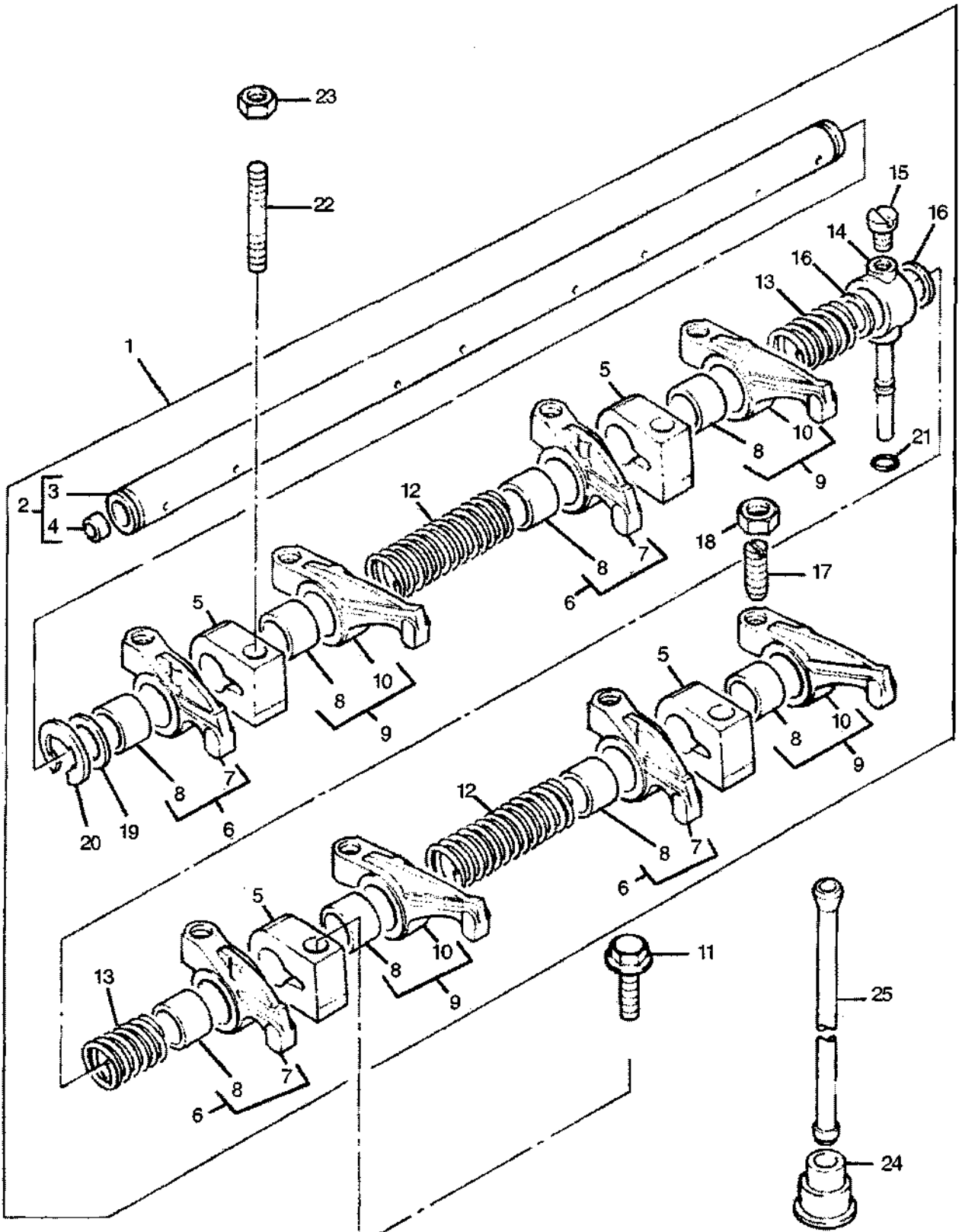


**TIMING GEAR & CAM SHAFT**





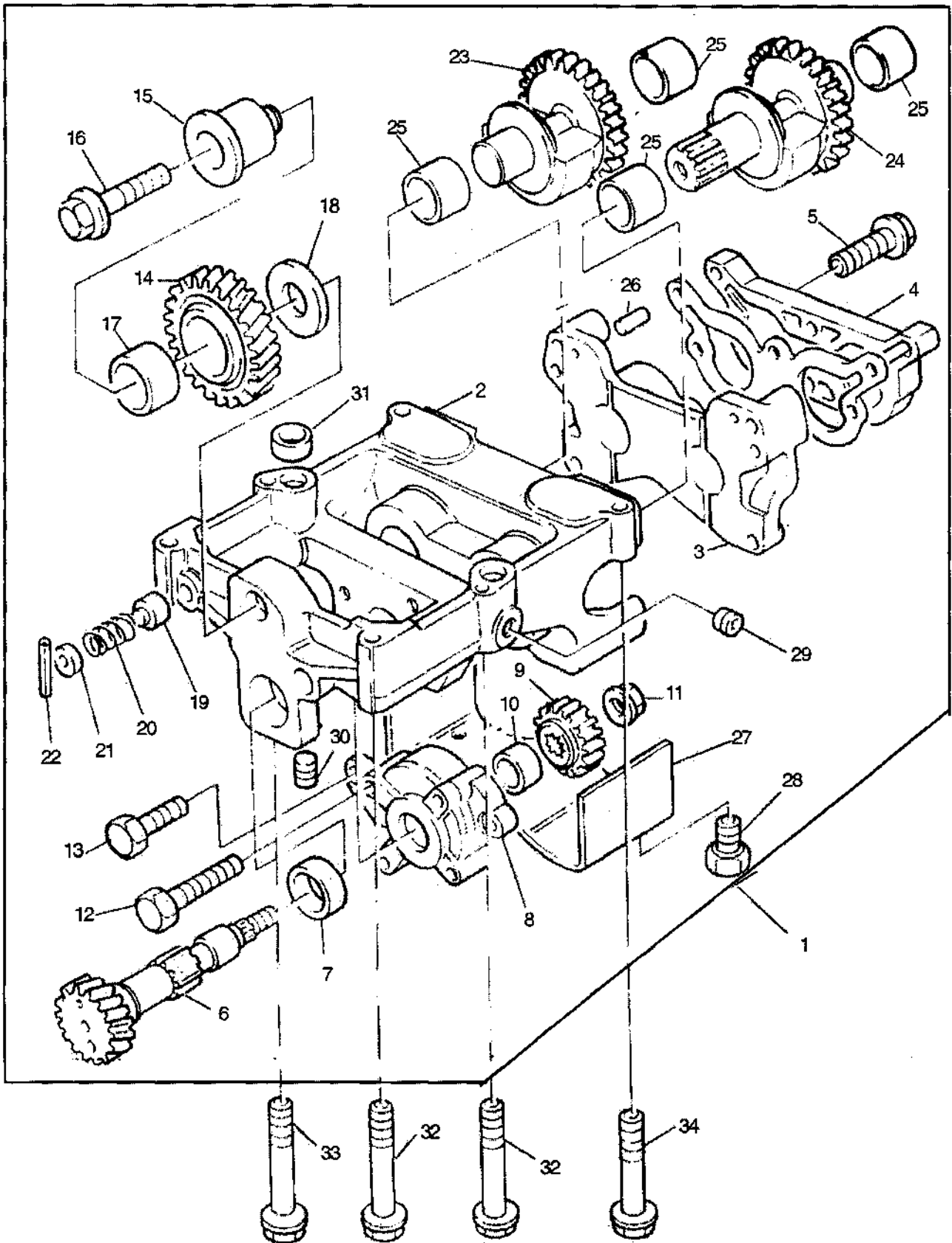
<b>ITEM</b>	<b>LONG No.</b>	<b>VENDOR No.</b>	<b>DESCRIPTION</b>	<b>QTY.</b>
				<b>80</b>
1	ESL14165	3716C163	Timing Case	1
2	ESL13852	3681P009	Joint, Timing Case	1
3	ESL13853	4111A013	Gear, Idler (Includes Item #4)	1
4	ESL13854	0050345	Bush	1
5	ESL13855	33426161	Hub	1
6	ESL13878	2314J010	Screw	3
7	ESL13857	3241H009	Plate	1
8	ESL14146	2314H003	Screw	8
9	ESL14103	2314H004	Screw	5
10	ESL13860	U3141D171	Camshaft	1
11	ESL13861	2116053	Dowel	1
12	ESL13862	33153121	Washer	1
13	ESL13803	0500012	Woodruff Key	1
14	ESL13864	3117L023	Gear, Camshaft	1
15	ESL13865	2314J606	Screw	1
16	ESL13866	3321A003	Washer	1
17	ESL13867	4142A415	Timing Cover Assemble (Includes Items #18-19)	1
18			Timing Cover	
19	ESL13868	2418F436	Seal, Front Oil	1
20	ESL13869	3681P038	Joint, Timing Case Cover	1
21	ESL13876	2314H034	Screw (For Bottom Two Holes)	2
22	ESL13871	2314H005	Screw	7
23	ESL13872	2314H013	Screw	6
24	ESL13873	3781N042	Damper	1
25	ESL13874	3781N043	Shield	1
26	ESL13875	2314F003	Screw	2



**ROCKER SHAFT**

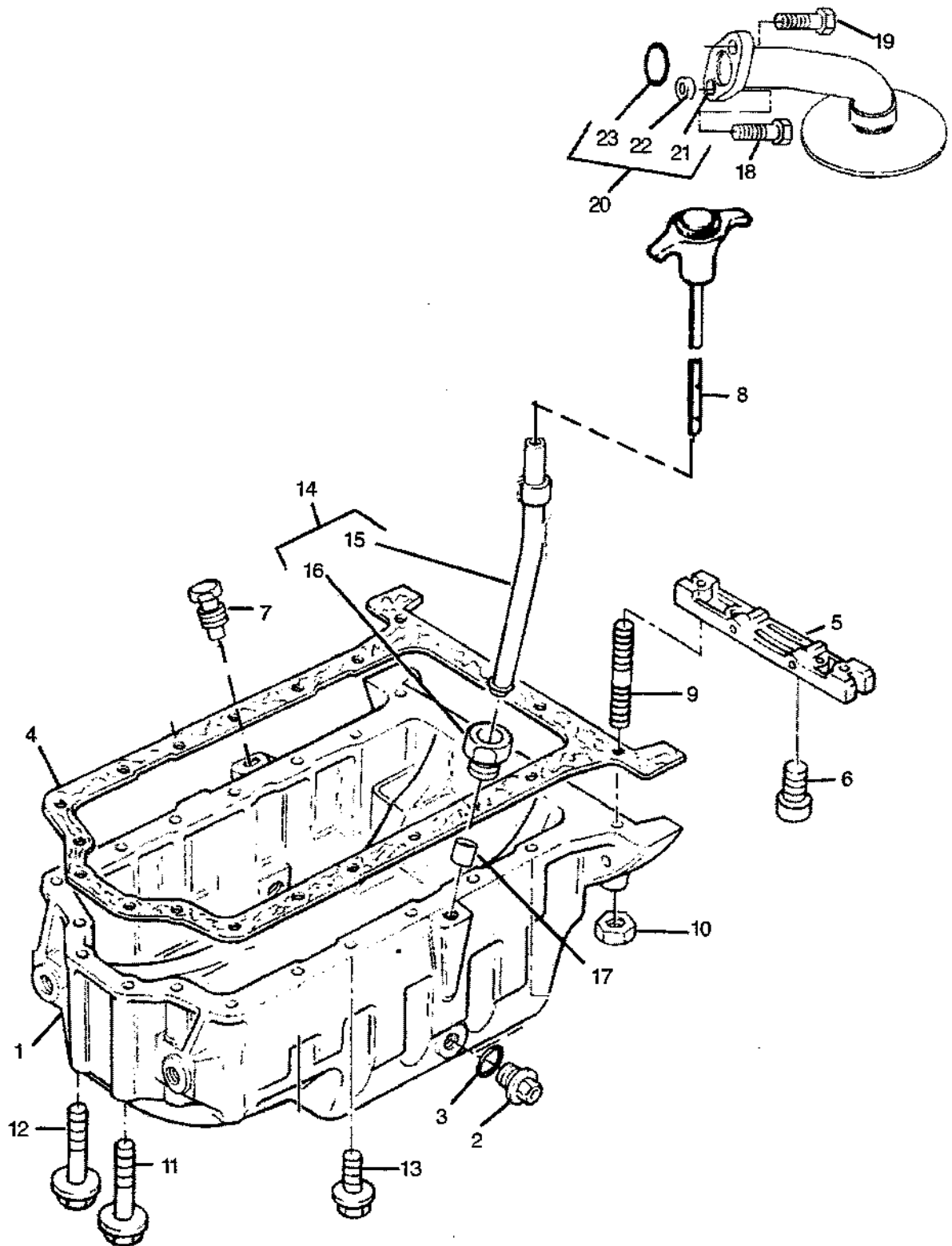


<i>ITEM</i>	<i>LONG No.</i>	<i>VENDOR No.</i>	<i>DESCRIPTION</i>	<i>QTY.</i>
				<b>80</b>
1	ESL13829	ZZ90184	Rocker Shaft Assembly	1
2	ESL13830	ZZ90172	Rocker Shaft	1
3			Rocker Shaft (NSS)	1
4	ESL13831	0650507	Plug	2
5	ESL13832	3818X901	Bracket	4
6	ESL13833	4115R007	Lever, LH	4
7			Lever (NSS)	4
8	ESL13834	31134166	Bush	8
9	ESL13835	4115R008	Lever, RH	4
10			Lever (NSS)	4
11	ESL13849	2314J607	Screw	1
12	ESL13837	31744123	Spring	2
13	ESL13838	31743108	Spring	2
14	ESL13839	3775E012	Connection	1
15	ESL13840	2233022	Screw	1
16	ESL13841	3311K015	Shim	2
17	ESL13842	32114145	Screw	8
18	ESL13843	0576052	Nut	8
19	ESL13844	3311K012	Washer	2
20	ESL13845	0170151	Circlip	2
21	ESL13846	33811113	Olive	1
22	ESL13847	2313H331	Stud	3
23	ESL13848	2318A605	Nut	3
24	ESL13851	3142U031	Tappet	8
25	ESL13850	31434307	Push Rod	8



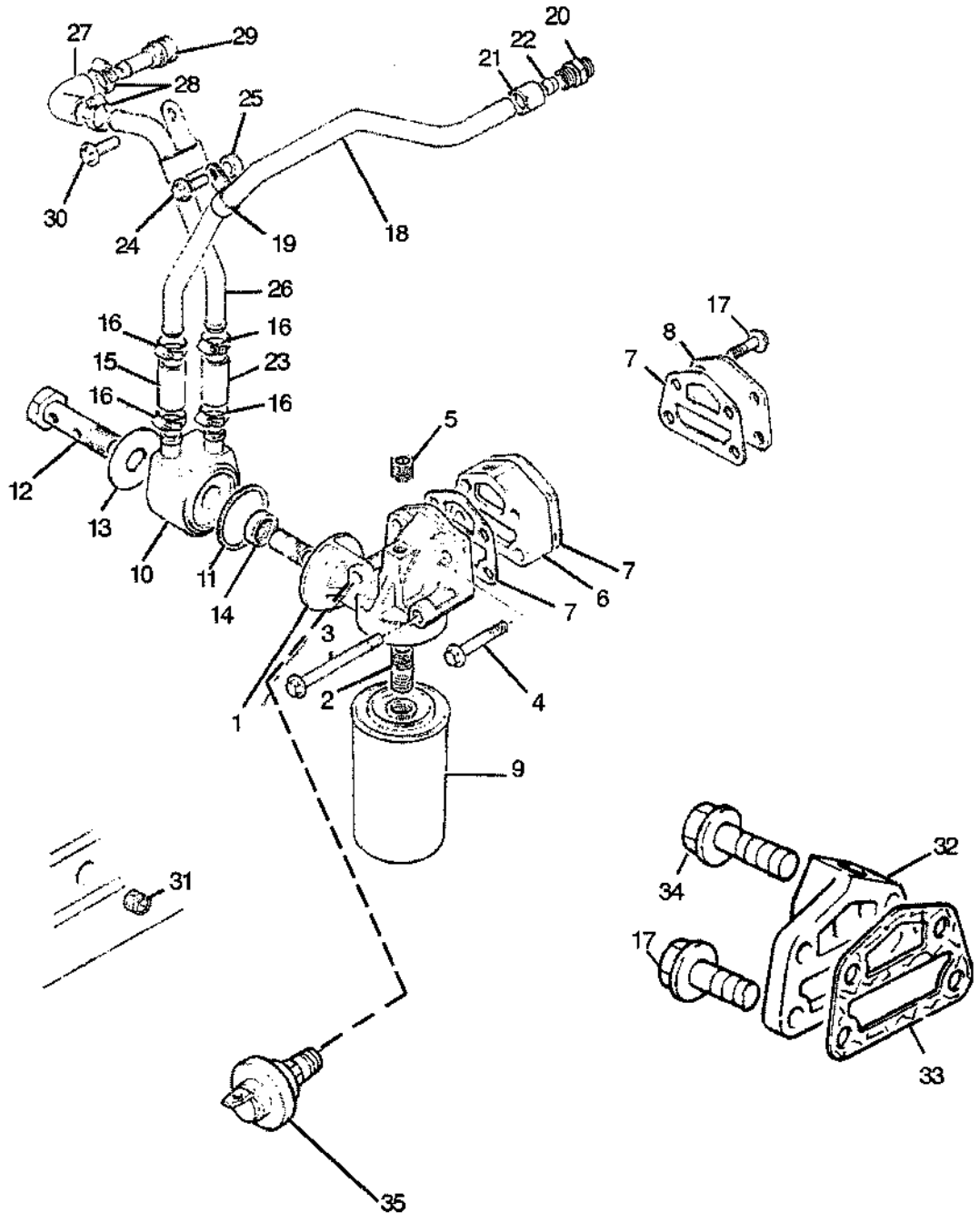
BALANCER UNIT

<b>ITEM</b>	<b>LONG No.</b>	<b>VENDOR No.</b>	<b>DESCRIPTION</b>	<b>QTY.</b>
				<b>80</b>
1	ESL14166	4111K065	Balancer Assembly	1
2	ESL13877	4145L007	Frame and Cover Assembly	1
3			Cover	1
4	ESL13880	3753R221	Cover	1
5	ESL13879	2315C052	Screw	4
6	ESL13883	3117V003	Shaft	1
7	ESL13884	2551A009	Bearing, Needle	1
8	ESL13885	4132F041	Oil Pump	1
9	ESL13886	3116W001	Gear, Balancer	1
10	ESL13887	2551A014	Bearing, Needle	1
11	ESL13888	35531136	Nut	1
12	ESL13974	2314H012	Screw	2
13	ESL14103	2314H004	Screw	1
14	ESL13891	3117C071	Gear, Balancer	1
15	ESL13892	33451804	Hub	1
16	ESL13893	2314J666	Screw	1
17	ESL13894	2551A201	Bearing, Needle	1
18	ESL13895	3321A002	Washer	1
19	ESL13896	3272E005	Plunger	1
20	ESL13897	3174D004	Spring	1
21	ESL13898	3342A605	End Cap	1
22	ESL13912	2116A056	Pin	1
23	ESL13900	3116K004	Weight	1
24	ESL13901	3116K014	Weight	1
25	ESL13902	2511A730	Bush	1
26	ESL13903	0350042	Dowel	2
27	ESL13904	3661K001	Cover	1
28	ESL13905	0650586	Screw	4
29	ESL13906	2431A054	Plug	1
30	ESL13907	32558314	Plug	1
31	ESL13908	33137409	Thimble	2
32	ESL13909	2314J013	Screw	3
33	ESL13911	2314J015	Screw	1
34	ESL13910	2314H011	Screw	2





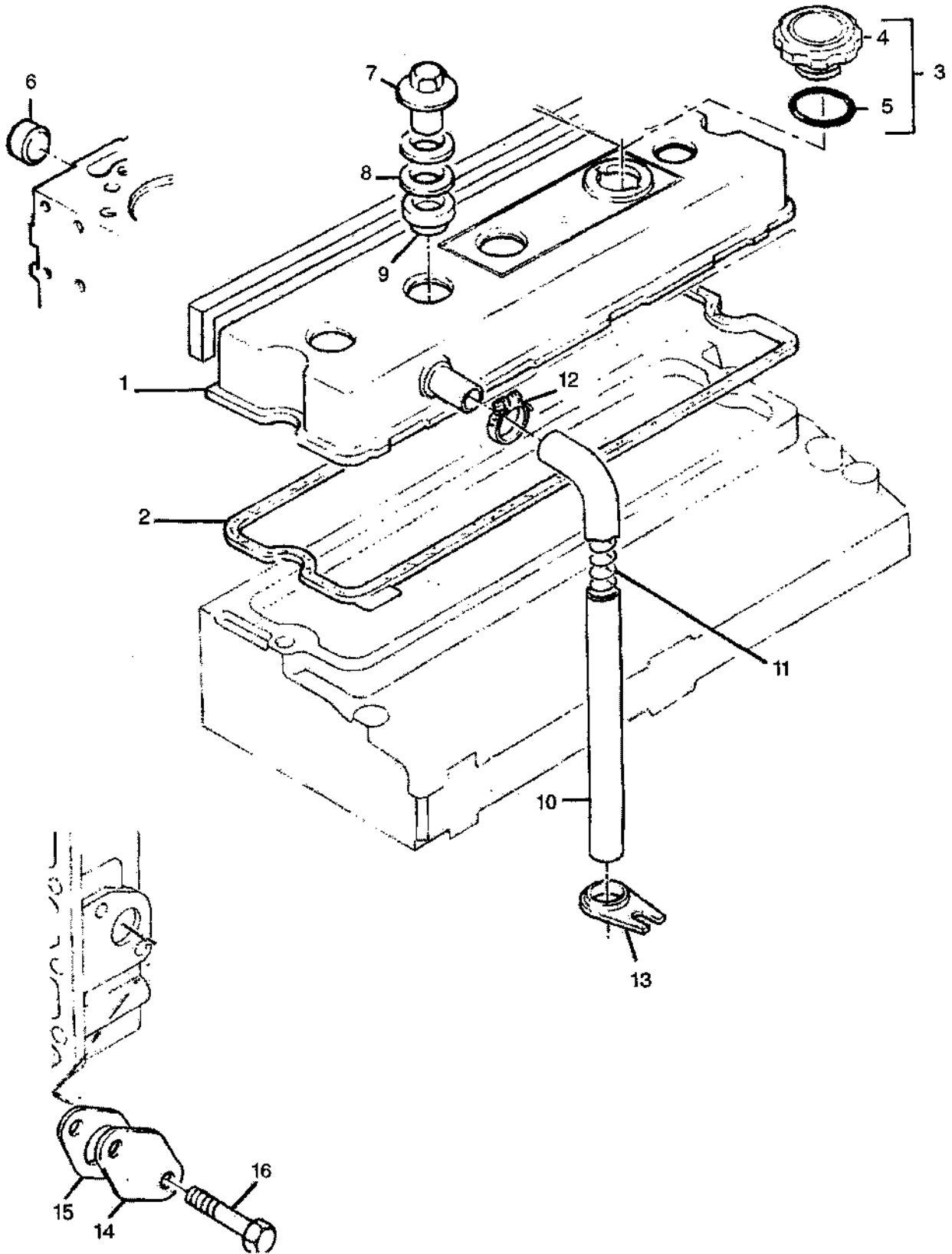
<b>ITEM</b>	<b>LONG No.</b>	<b>VENDOR No.</b>	<b>DESCRIPTION</b>	<b>QTY.</b>
				<b>80</b>
1	ESL13952	3717J051	Sump, Oil	1
2	ESL13953	32186405	Plug, Drain	2
3	ESL13954	2415715	'O'Ring	2
4	ESL13955	3681K003	Joint, Oil SUmp	1
5	ESL13956	3627P023	Bridge Piece	1
6	ESL13957	2311D039	Screw	2
7	ESL13958	2431A016	Plug	1
8	ESL13965	3178C088	Dipstick	1
9	ESL13959	3211P013	Stud	2
10	ESL13920	2318A603	Nut	2
11	ESL13961	2314H022	Screw	1
12	ESL13962	2314H023	Screw	5
13	ESL13963	2314H015	Screw	12
14	ESL13964	3577A125	Tube Assembly	1
15			Tube	1
16			Nut	1
17	ESL13969	33812116	Olive	1
18	ESL13975	2314H006	Screw	1
19	ESL13974	2314H012	Screw	1
20	ESL13970	4134E037	Pipe, Oil	1
21			Pipe, Oil (NSS)	1
22	ESL13972	3348Y007	Insert	2
23	ESL13973	2415A047	'O'Ring	1



LUBRICATING OIL FILTER AND OIL COOLER



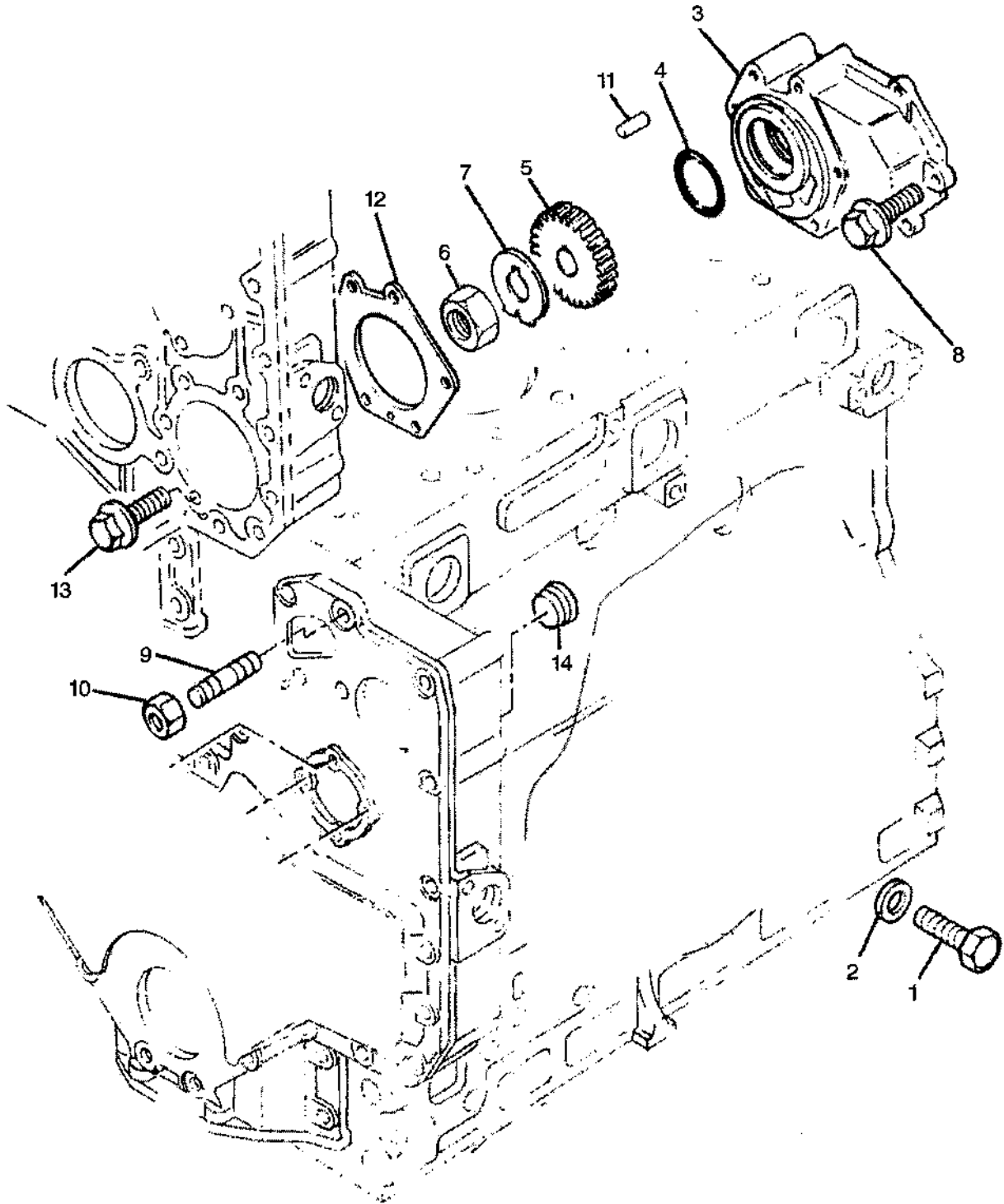
<b>ITEM</b>	<b>LONG No.</b>	<b>VENDOR No.</b>	<b>DESCRIPTION</b>	<b>Qty.</b>
				<b>80</b>
1	ESL13993	4134E014	Head, Oil Filter (Includes Items #2)	1
2	ESL13994	33554128	Connection	1
3	ESL13995	2314J041	Screw	2
4	ESL13996	2314J049	Screw	2
5	ESL13997	0650594	Plug	1
6	ESL13998	3773T103	Adapter	1
7	ESL13773	3686T006	Joint	2
8	ESL14023	3623H008	Plate	1
9	ESL14000	2654403	Oil Filter	1
10	ESL14001	2638O19	Oil Cooler	1
11	ESL14002	2486A211	Gasket	1
12	ESL14003	2638C018	Connector	1
13	ESL14004	24860176	Gasket	1
14	ESL14005	33813131	Seal	1
15	ESL14006	3385H001	Hose	1
16	ESL13984	2481877	Hose Clip	1
17	ESL13774	2314J033	Screw	7
18	ESL14008	4126K174	Pipe, Water (Includes Item #19)	1
19	ESL14009	3656M003	Clip	1
20	ESL14010	0206009	Union	1
21	ESL14011	0576117	Nut	1
22	ESL14012	0566008	Olive	1
23	ESL14013	3383A001	Hose	1
24	ESL14021	2314H008	Screw	1
25	ESL14022	33246123	Spacer	1
26	ESL14016	3573M014	Pipe Water	1
27	ESL13984	34821121	Hose	1
28	ESL14018	2481877	Hose Clip	2
29	ESL14019	3346C006	Adaptor	1
30	ESL14020	2314J001	Screw	1
31	ESL13743	0650588	Plug	1
32	ESL14167	3766P097	Adapter	1
33	ESL14168	3686L007	Joint	1
34	ESL14169	2314J037	Screw	1
35	ESL14170	2648062	Switch, Oil Pressure	1



CYLINDER HEAD & COVER



<b>ITEM</b>	<b>LONG No.</b>	<b>VENDOR No.</b>	<b>DESCRIPTION</b>	<b>QTY.</b>
				<b>80</b>
1	ESL13976	4142X187	Cylinder Head Cover	1
2	ESL13977	3681A049	Rocker Arm Cover	1
3	ESL13989	4142X099	Cap, Oil Filler	1
4			Cap	1
5	ESL13990	2415731	'O'Ring	1
6	ESL13748	32416118	Plug	1
7	ESL13979	3274A003	Nut	3
8	ESL13980	0920009	Washer	3
9	ESL13981	33817135	Seal	3
10	ESL13982	33872532	Breather Pipe	1
11	ESL13983	3175P003	Spring	1
12	ESL13984	2481877	Hose Clip	1
13	ESL13985	36241123	Bracket, Support	1
14	ESL13986	3617A001	Plate	1
15	ESL13987	3683H006	Joint	1
16	ESL13988	2314H002	Screw	2



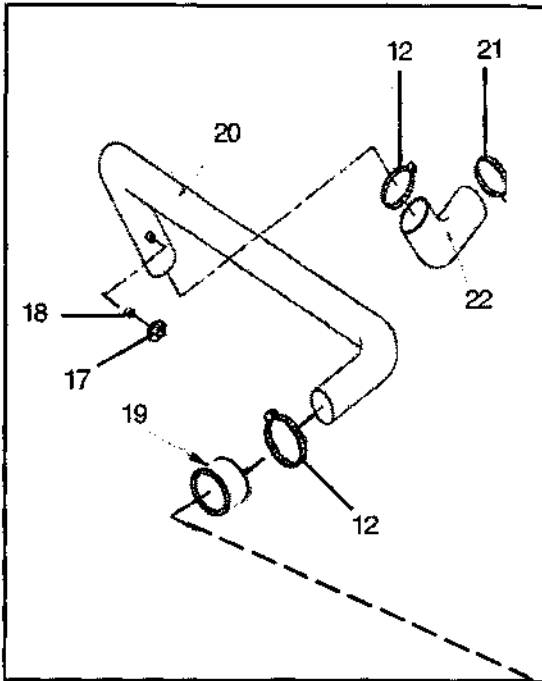


<i>ITEM</i>	<i>LONG No.</i>	<i>VENDOR No.</i>	<i>DESCRIPTION</i>	<i>QTY.</i>
				<b>80</b>
1	ESL14081	2314C049	Screw	1
2	ESL14082	0920155	Washer	1
3	ESL14083	3751K082	Adapter Housing	1
4	ESL14084	2415B167	'O'Ring	1
5	ESL14085	31172505	Gear, Hydraulic Pump	1
6	ESL14086	33531137	Nut	1
7	ESL14088	31733509	Washer	1
8	ESL14089	2314H043	Screw	1
9	ESL14090	2313M058	Stud	4
10	ESL13920	2318A603	Nut	4
11	ESL14092	3211C001	Pin	1
12	ESL14093	0490373	Joint	1
13	ESL14094	2314F037	Screw	4
14	ESL14095	2431154	Plug	1

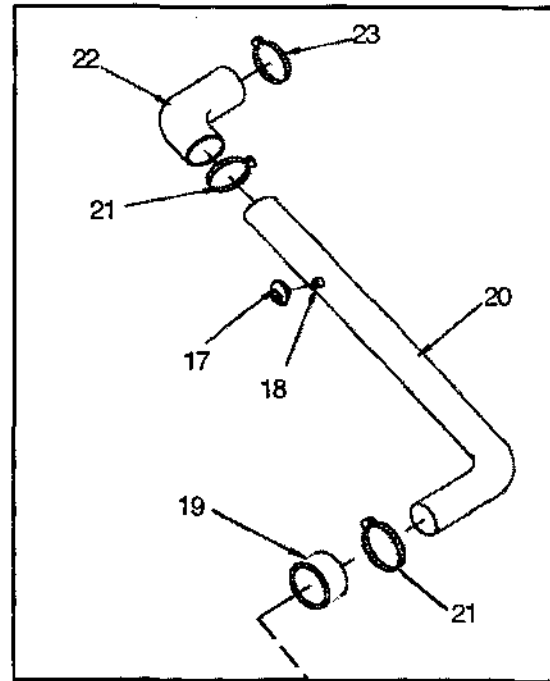
# Notes

# ***AIR INTAKE & EXHAUST SYSTEM***

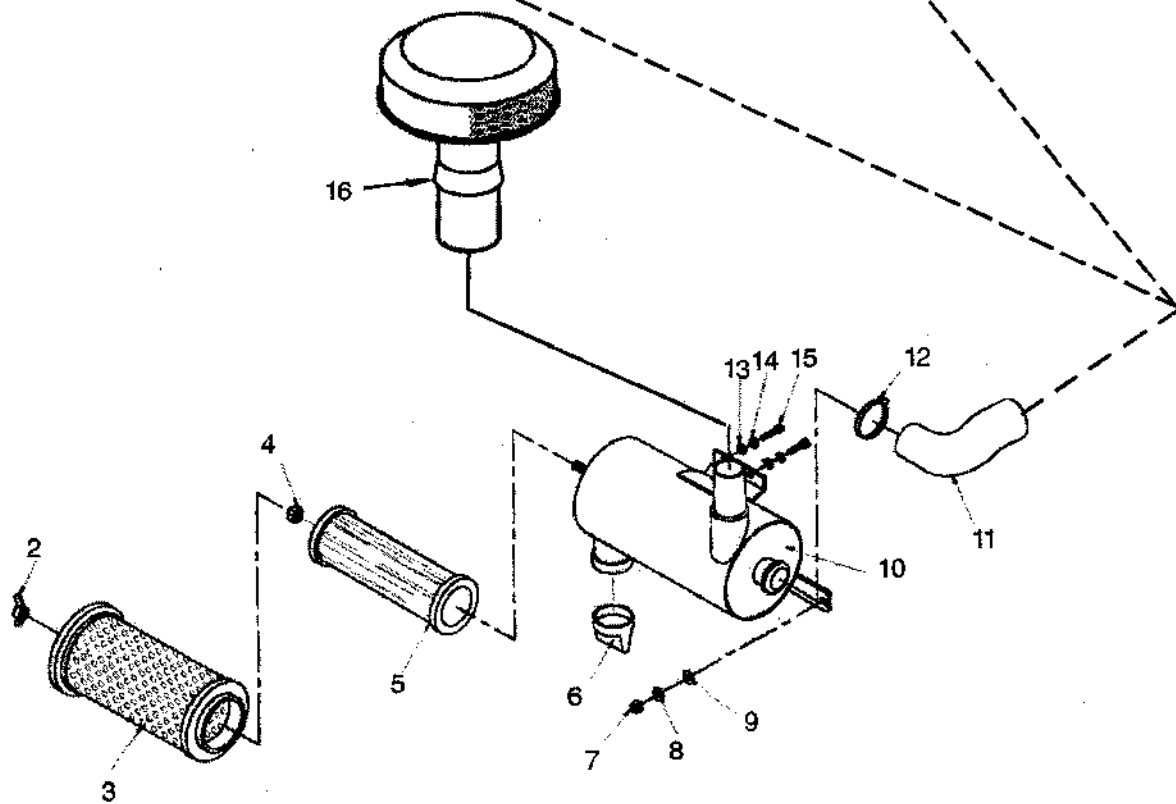
70/80



**70 MODEL**



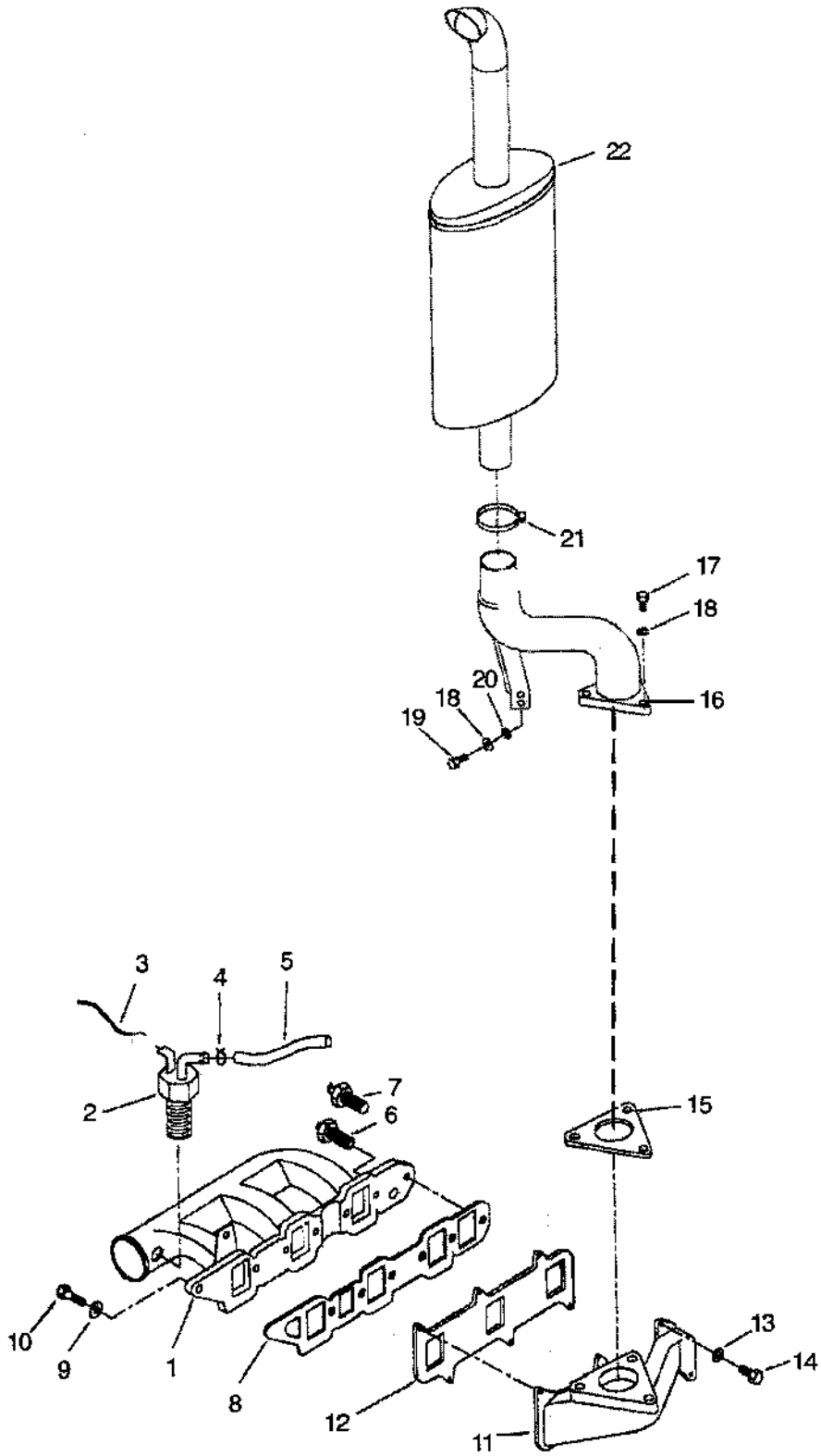
**80 MODEL**





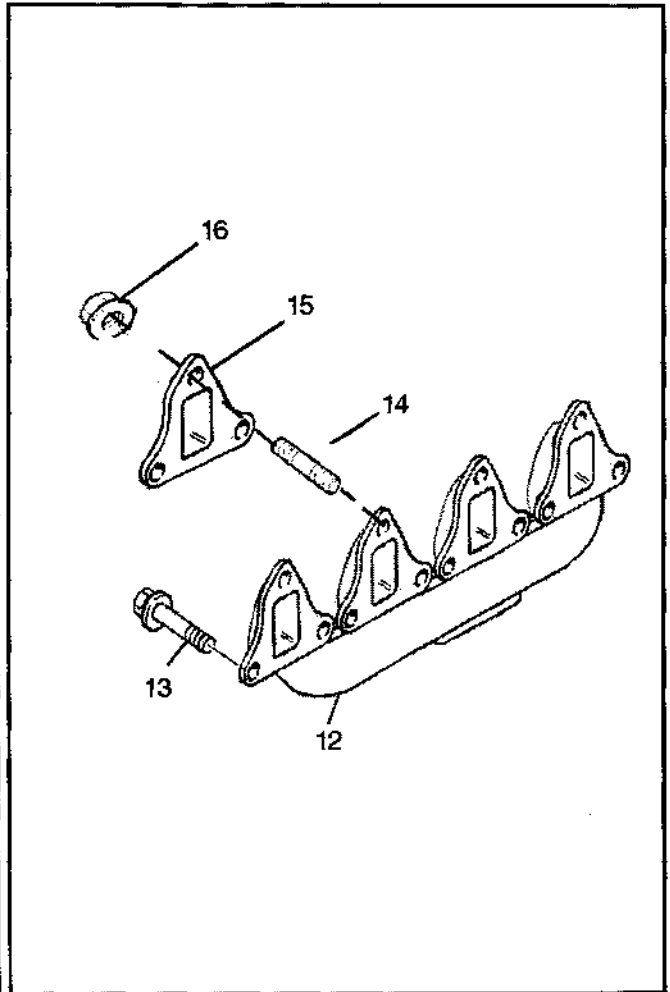
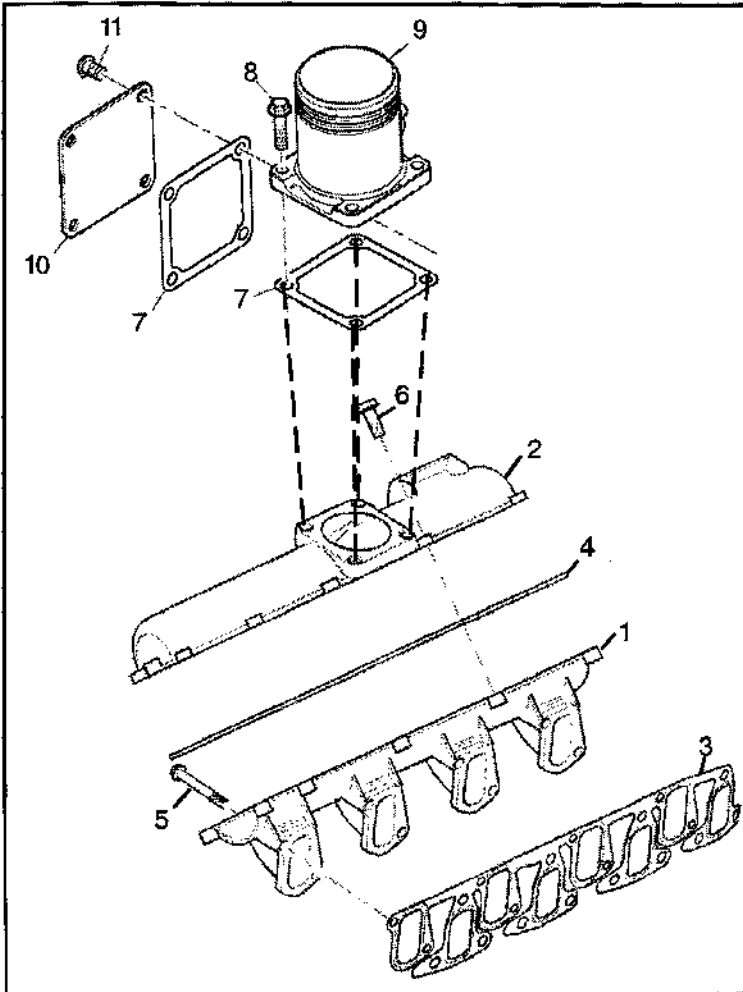
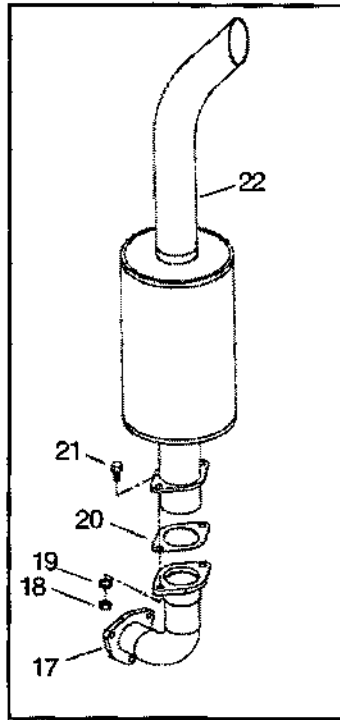


ITEM	LONG No.	VENDOR No.	DESCRIPTION	QTY.	
				70	80
1	ESL12513	11-90420-AA	Air Cleaner Assembly, Dry (Includes Items 2-10)	1	1
2	ESL11836	11-90105-AA	Wing Nut	1	1
3	ESL10221	D5NN-9R618-A	Filter Element, Primary	1	1
4	N-605542-S8	N-605542-S36	Nut	1	1
5	ESL10222	D5NN-9R500-A	Filter Element, Safety (Inner) <i>D6NN9R500B</i> <i>P 25 88</i>	1	1
6	ESL10229	11-90109-AA	Bleed Valve	1	1
7	N-620042-S8	N-620042-S36	Nut	2	2
8	N630174-S8	N-630174-S36	Washer, Lock	2	2
9	ESL11956	N-630069-S36	Washer, Flat	2	2
10			Housing, Dry Air Cleaner (NSS)	1	1
11	ESL11837	11-90107-AA	Hose, Air Cleaner Outlet	1	1
12	ESL12083	12-90380-AA	Clamp Assembly	3	1
13	N-630174-S8	N-630174-S36	Washer, Lock (M10)	2	2
14	ESL11956	N-630069-S36	Washer, Flat (M10 x 21 x 2.25)	2	2
15	304650-S8	304650-S36	Bolt, Hex Head (3/8 - 16 x 0.75)	2	2
16	ESL12071	12-90680-AB	Cap & Extension Assembly	1	1
17	ESL13327	12-90522-AA	Indicator	1	1
18	ESL13328	12-90515-AA	Gasket Indicator	1	1
19	ESL10231	11-90575-AA	Grommet	1	1
20	ESL12632	11-90540-AA	Tube Assy - Dry Air Cleaner Outlet	1	-
-	ESL12633	30-90542-AC	Tube Assy - Dry Air Cleaner Outlet	-	1
21	ESL10227	81NH-9613-AA	Clamp Assembly	1	2
22	ESL12514	11-90640-BA	Hose, Air Cleaner Outlet, Lower	1	-
-	ESL12631	30-90541-AC	Hose, AC to Intake Manifold	-	1
23	ESL12634	30-90380-AA	Clamp Assembly	-	1





<i>ITEM</i>	<i>LONG No.</i>	<i>VENDOR No.</i>	<i>DESCRIPTION</i>	<i>QTY.</i>
				<b>70</b>
1	ESL12029	11-68369-AA	Manifold, Intake	1
2	ESL12167	11-60463-AB	Thermostarter Assembly	1
3	ESL10236	11-11010-AA	Wire Assembly, Thermostarter	1
4	ESL10284	11-60462-AA	Clamp	2
5	ESL10285	11-60461-AB	Nylon Tube Thermostarter	1
6	ESL10237	73NH-10911-A	Adapter, Water Temperature	1
7	ESL10238	11-12109-AA	Sensor, Water Temperature	1
8	ESL12168	82835247	Gasket, Intake Manifold to Block	1
9	34807-S8	34792-S36	Washer Lock (3/8)	7
10	304722-S8	304722-S36	Bolt, Hex Head (3/8 - 16 x 1.25)	7
11	ESL10241	D3NN-9430-A	Manifold, Exhaust	1
12	ESL10243	E8NN-9448-AA	Gasket, Exhaust Manifold	1
13	378881-S	378881-S	Washer, Lock Tab (3/8)	6
14	304760-S8	304760-S36	Bolt, Hex Head (3/8 - 16 x 1.50)	6
15	ESL10245	D3NN-5C250-BA	Gasket, Muffler Inlet Pipe	1
16	ESL10244	D6NN-5246-N	Pipe, Muffler Inlet	1
17	46008-S8	46008-S36	Bolt, Hex Head (3/8 - 16 x 1.00)	3
18	34807-S8	34807-S36	Washer, Lock (3/8)	5
19	304650-S8	304650-S36	Bolt, Hex Head (3/8 - 16 x 0.75)	2
20	44726-S8	44726-S36	Washer, Flat (3/8)	2
21	ESL10248	D6NN-5252-B	Clamp Assembly	1
22	ESL10247	82835089	Muffler Assembly (Vertical)	1

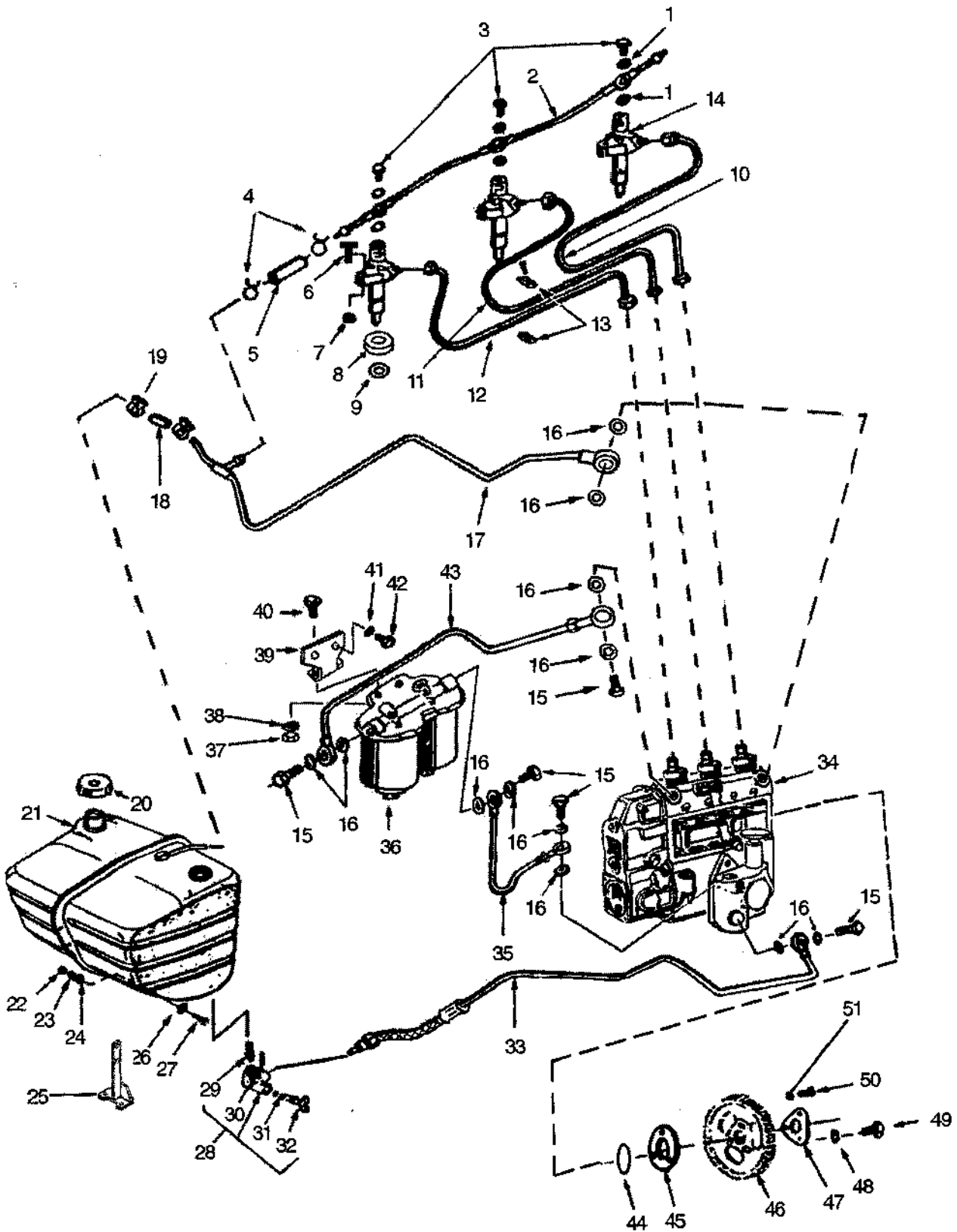




<b>ITEM</b>	<b>LONG No.</b>	<b>VENDOR No.</b>	<b>DESCRIPTION</b>	<b>QTY.</b>
				<b>80</b>
1	ESL14096	3777R081	Manifold, Induction	1
2	ESL14097	3777R122	Manifold, Induction	1
3	ESL14098	3681V012	Joint	1
4	ESL14176	3681V013	Joint	1
5	ESL14099	2314H607	Screw	8
6	ESL14146	2314H003	Screw	9
7	ESL14177	3684N503	Joint	2
8	ESL14103	2314H004	Screw	4
9	ESL14106	3766P172	Connection	1
10	ESL14178	3611M009	Plate	1
11	ESL14179	2316T050	Screw	4
12	ESL14108	3778E111	Exhaust Manifold	1
13	ESL14109	3218J013	Screw	12
14	ESL14180	2313C078	Stud	3
15	ESL14182	3681V502	Joint	1
16	ESL14181	2318A634	Nut	3
17	ESL12655	30-68235-AC	Elbow, Exhaust	1
18	620042-S8	620042-S36	Nut (M10x1.5)	2
19	630174-S8	630174-S36	Washer, Lock (M10)	2
20	ESL13329	30-68239-AA	Gasket	1
21	ESL12897	N-605546-S36	Bolt (M10x1.5)	2
22	ESL12654	30-68230-AC	Muffler Assembly (Vertical)	1

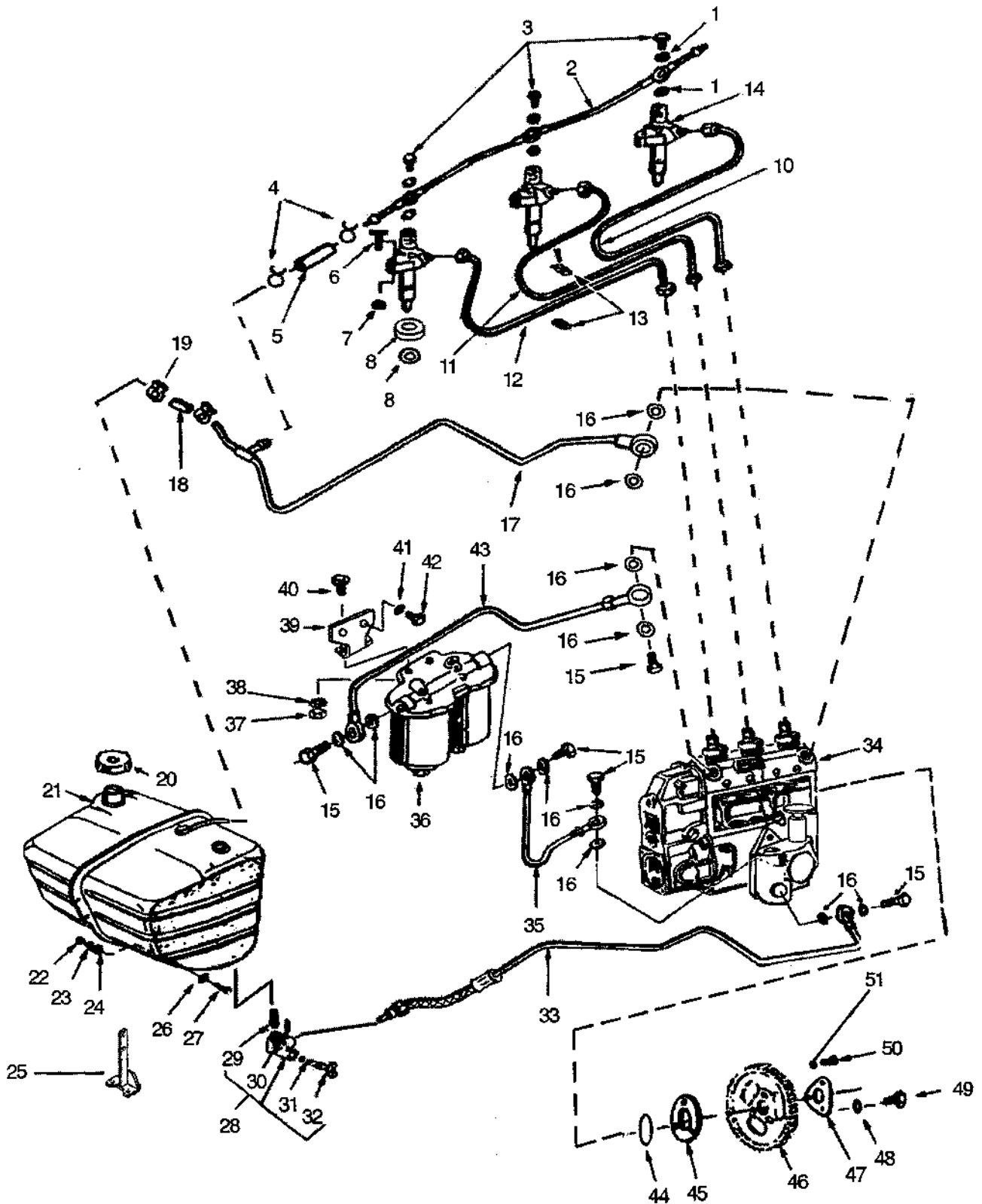
## Notes

***FUEL SYSTEM &  
THROTTLE LINKAGES  
(FT 70 ONLY)***



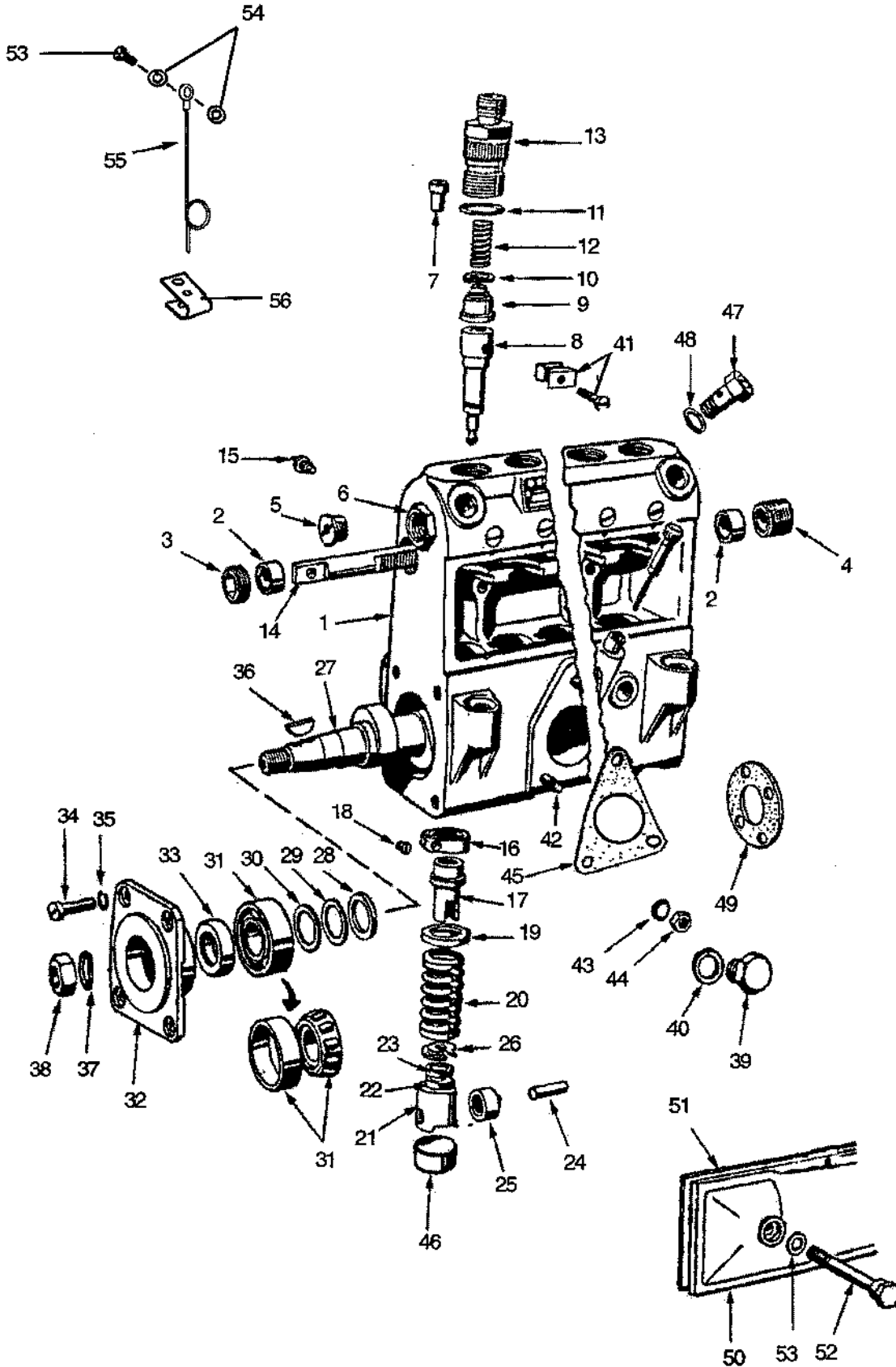


ITEM	LONG No.	VENDOR No.	DESCRIPTION	QTY.
				<b>70</b>
1	ESL11650	73NH-9N661-A	Washer	6
2	ESL12659	15-64560-AA	Tube Assy - Fuel Injector Leak-off	1
3	ESL11744	73NH-9N662-A	Bolt, Banjo	3
4	ESL10296	97325-S35	Clamp, Spring Wire	2
5	ESL10295	90NH-9A563-AA	Hose, Fuel Injector Leak-off	1
6	304758-S8	304758-S36	Bolt, Hex Head (5/16-18x1.50)	6
7	ESL11975	34806-S36	Washer, Lock (5/16)	6
8	ESL10299	73NH-9F596-A	Seal, Fuel Injector	6
9	ESL11652	72NH-9E529-A	Sealing Washer, Nozzle	3
10	ESL12660	25-64555-AA	Tube Assy Fuel Injector - 1st Cylinder	1
11	ESL12661	25-64556-AA	Tube Assy Fuel Injector - 2nd Cylinder	1
12	ESL12662	25-64557-AA	Tube Assy Fuel Injector - 3rd Cylinder	1
13	ESL10293	377485-S100	Clamp Assembly	2
14	ESL12663	11-64590-AA	Injector Assembly - Fuel	3
15	ESL11778	74NH-9N663-A	Banjo Bolt	5
16	ESL10357	82835036	Sealing Washer	13
17	ESL10294	85NH-9A337-AA	Tube Assembly - Fuel Tank Return	1
18	ESL10297	71NH-9N035-A	Connector, Fuel Tank Return Tube	1
19	ESL10298	73NH-9N279-A	Clamp Assy, Fuel Tube Return	2
20	ESL12068	11-89030-AA	Cap, Fuel Tank	1
21	ESL12656	25-89060-AA	Tank Assembly, Fuel	1
22	33798-S8	33798-S36	Nut, Hex Head (5/16-24)	3
23	44722-S8	44722-S36	Washer, Flat (5/16)	3
24	34941-S8	34941-S36	Washer, External Tooth (5/16)	3
25	ESL13681	EXP-20960-AA	Bracket, Fuel Tank Mounting	3
26	ESL10256	C5NN-9N071-A	Spacer, Fuel Tank Mounting	1
27	304682-S8	304682-S36	Bolt, Hex Head (5/16-18x1.00)	3
28	ESL10257	E2NN-9N024-AA	Tap & Screen Assembly, Fuel	1
29	ESL10258	D9NN-9N187-AA	Filter, Fuel Tap & Priming Pump	1
30			Spring, Fuel Control Valve Retainer (NSS)	1
31			Ring, Fuel Control Valve Retaining (NSS)	1
32			Valve & Seal Assembly, Fuel Control Tap (NSS)	1
33	ESL10264	12-89280-AA	Tube Assembly, Tank to Feed Pump	1
34	ESL12658	25-64540-AA	Pump Assembly - Fuel Injection	1
35	ESL10270	92NH-9B273-AA	Tube Assembly, Feed Pump to Filter	1
36	ESL13273	13-60150-AA	Filter Assembly - Fuel	1
37	ESL11782	74NH-9N102-A	Nut	2
38	ESL12018	34809-S36	Washer, Lock (1/2)	2
39	ESL10280	80NH-9A335-AA	Bracket, Fuel Filter Mounting	1
40	ESL11743	74NH-9N101-A	Bolt	2



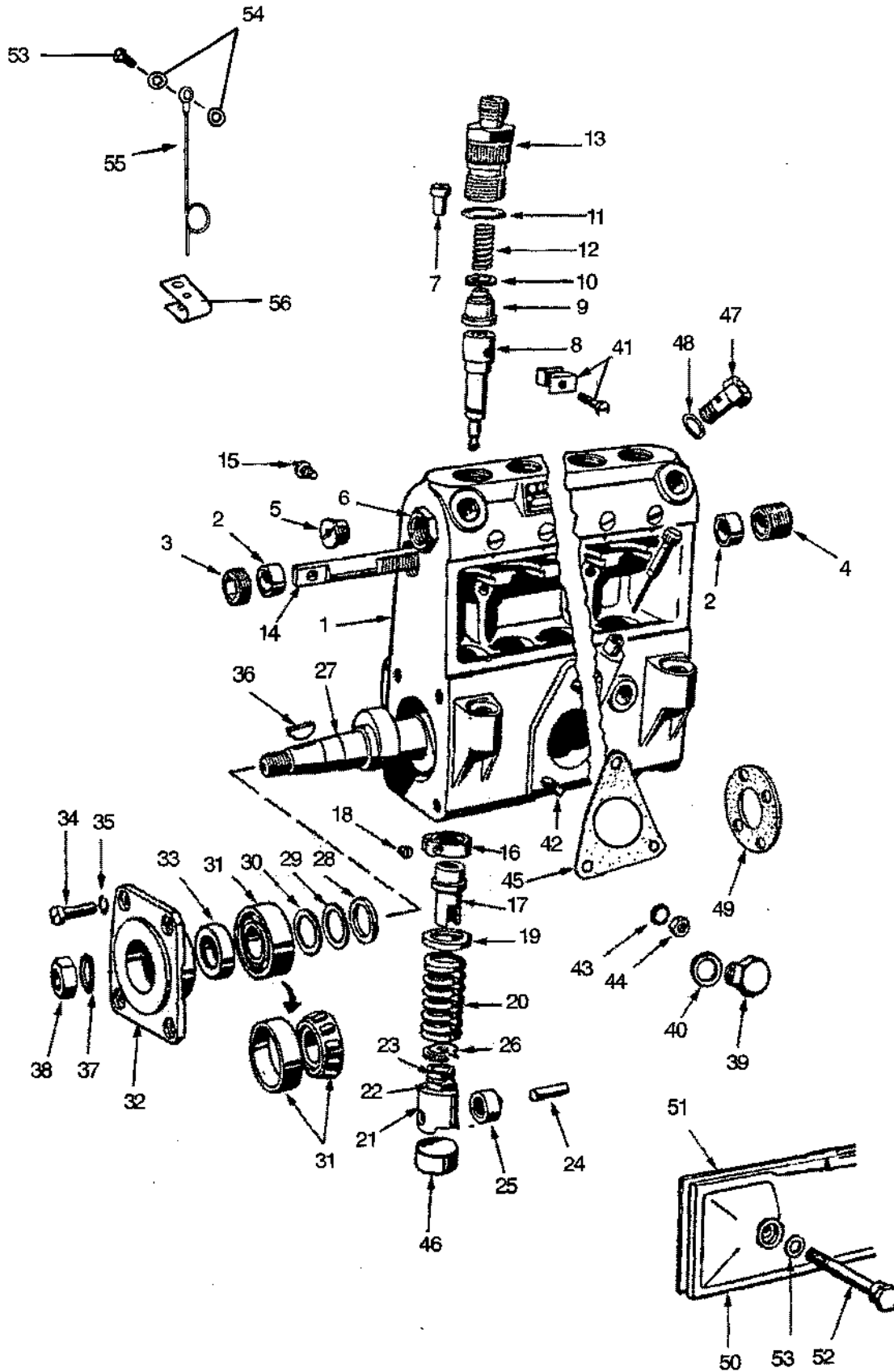


<i>ITEM</i>	<i>LONG No.</i>	<i>VENDOR No.</i>	<i>DESCRIPTION</i>	<i>QTY.</i>
				<b>70</b>
41	44726-S8	44726-S36	Washer, Flat (3/8)	2
42	304666-S8	304666-S36	Bolt, Hex Head (3/8-16x0.875)	2
43	ESL10273	92NH-9N575-AA	Tube Assembly, Filter to Pump	1
44	ESL13682	12-61035-AA	O-Ring, Fuel Injection Pump	1
45	ESL10030	91NH-9M525-AA	Coupling Half - FIP Driving	1
46	ESL10276	C5NE-9F589-D	Gear, Fuel Injection Pump	1
47	ESL10275	C5NE-9F586-A	Plate, Fuel Injection Pump	1
48	ESL11649	380201-S36	Washer, Flat - (5/16x0.63x0.06)	3
49	42974-S8	42974-S36	Bolt, Hex Head (5/16-24x0.625)	3
50	ESL11742	73NH-9N646-A	Bolt, Fuel Injection Pump	3
51	ESL11648	73NH-9N647-A	Washer	3



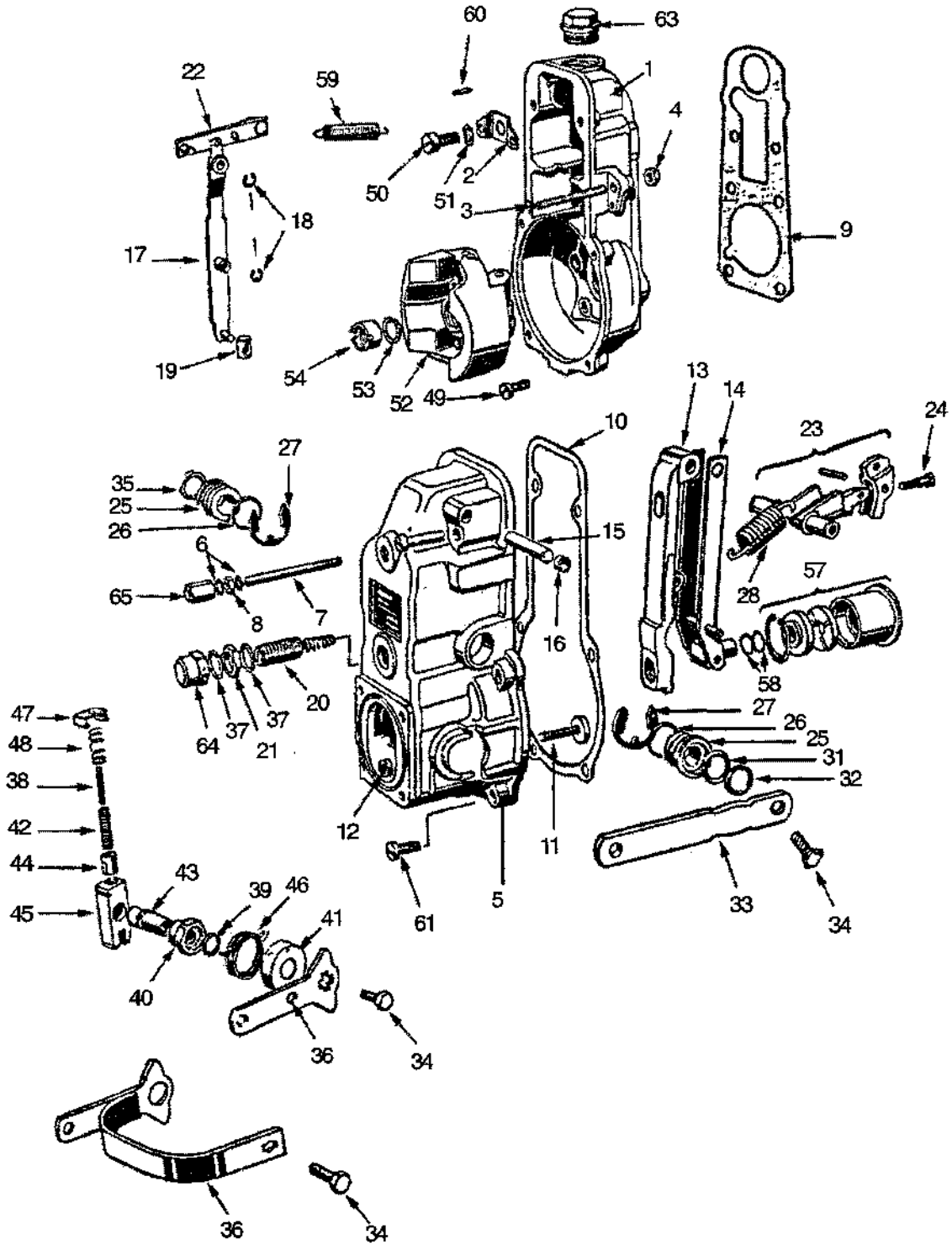


<b>ITEM</b>	<b>LONG No.</b>	<b>VENDOR No.</b>	<b>DESCRIPTION</b>	<b>QTY.</b>
				<b>70</b>
1			Housing, Fuel Injection Pump (NSS)	1
2			Guide Bush (NSS)	2
3			Threaded Ring (NSS)	1
4			Threaded Bush (NSS)	1
5			Closing Plug (NSS)	1
6	ESL10308	EXP-13410-AA	Reducing Nipple	1
7	ESL10362	EXP-13462-AA	Peg for Delivery Valve Holder	3
8	ESL12675	9-412-038-308	Element (LH Helix: 15mm Pitch)	3
9	ESL12676	9-411-038-576	Delivery Valve	3
10	ESL10311	EXP-14100-AA	Washer, Delivery Valve	3
11	ESL11653	EXP-13415-AA	Sealing Ring (Holder Delivery Valve)	3
12	ESL10313	EXP-13417-AA	Spring, Delivery Valve	3
13	ESL12677	2-413-372-119	Holder, Delivery Valve	3
14			Control Rack (NSS)	1
15			Screw, Control Rack Locating (NSS)	1
16			Toothed Quadrant, Normal Size (NSS)	3
17			Regulating Sleeve (Includes Item #18) (NSS)	3
18			Clamping Screw (NSS)	3
19			Spring Plate, Upper (NSS)	3
20			Plunger Spring (NSS)	3
21			Tappet, Roller (NSS)	3
22			Nut, Lock (NSS)	3
23			Screw, Adjusting (NSS)	3
24			Pin, Roller (NSS)	3
25			Roller (NSS)	3
26			Spring Plate, Lower (NSS)	3
27			Camshaft, Fuel Injection Pump (NSS)	1
28			Spacer for Camshaft, Pump End 1 (NSS)	1
-			Spacer for camshaft, Pump End 2 (NSS)	1
29	ESL10328	EXP-13436-AA	Shim, Pump End 1 ( 0.10mm)	AR
-	ESL10329	EXP-13436-AB	Shim, Pump End 1 ( 0.12mm)	AR
-	ESL10330	EXP-13436-AC	Shim, Pump End 1 ( 0.14mm)	AR
-	ESL10331	EXP-13436-AD	Shim, Pump End 1 ( 0.16mm)	AR
-	ESL10332	EXP-13436-AE	Shim, Pump End 1 ( 0.18mm)	AR
-	ESL10333	EXP-13436-AF	Shim, Pump End 1 ( 0.30mm)	AR
-	ESL10334	EXP-13436-AG	Shim, Pump End 1 ( 0.50mm)	AR
-	ESL10335	EXP-13436-AH	Shim, Pump End 1 (1.00mm)	AR
30	ESL10336	EXP-13437-AA	Shim, Pump End 2 ( 0.10mm)	AR
-	ESL10337	EXP-13437-AB	Shim, Pump End 2 ( 0.12mm)	AR
-	ESL10338	EXP-13437-AC	Shim, Pump End 2 ( 0.14mm)	AR
-	ESL10339	EXP-13437-AD	Shim, Pump End 2 ( 0.16mm)	AR





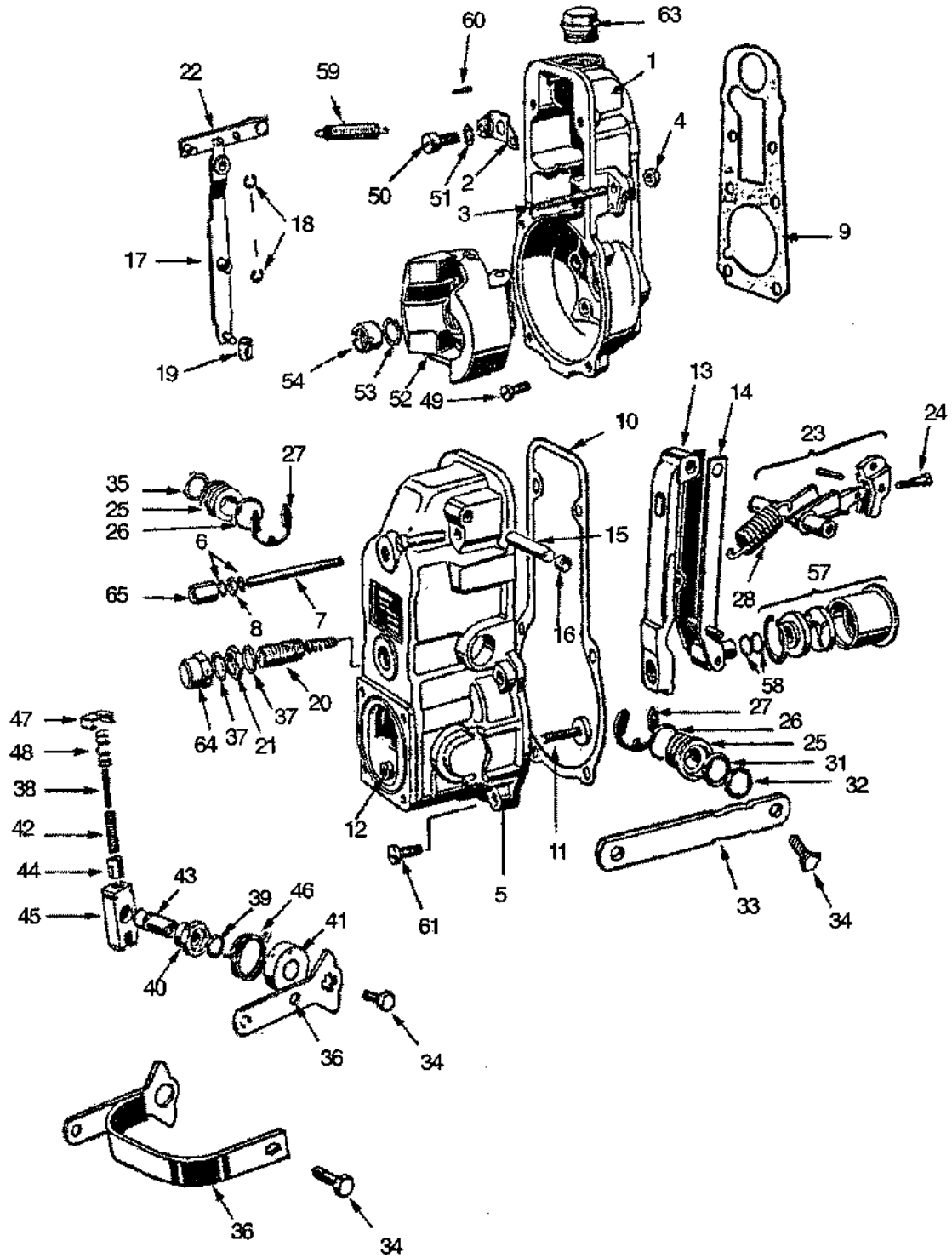
<b>ITEM</b>	<b>LONG No.</b>	<b>VENDOR No.</b>	<b>DESCRIPTION</b>	<b>Qty.</b>
-	ESL10340	EXP-13437-AE	Shim, Pump End 2 (0.18mm)	AR
-	ESL10341	EXP-13437-AF	Shim, Pump End 2 (0.30mm)	AR
-	ESL10342	EXP-13437-AG	Shim, Pump End 2 (0.50mm)	AR
-	ESL10343	EXP-13437-AH	Shim, Pump End 2 (1.00mm)	AR
31			Bearing, Tapper Roller, Pump End 1 (NSS)	1
-			Bearing, Tapper Roller, Pump End 2 (NSS)	1
32			Flange, Bearing (NSS)	1
33			Oil Seal (NSS)	1
34			Screw, Bearing Flange (NSS)	4
35			Spring Washer (NSS)	4
36			Key, Woodruff (NSS)	1
37			Spring Washer (NSS)	1
38			Nut, Round (NSS)	1
39	ESL10309	EXP-13411-AA	Inspection Plug	1
40	ESL10358	EXP-13412-AA	Sealing Washer	1
41	ESL12205	72NH-9D510-A	Clamping Jaw Set	2
42			Stud (NSS)	3
43			Spring Washer (NSS)	3
44			Nut, Hex (NSS)	3
45	ESL10351	EXP-13453-AA	Gasket, Feed Pump	1
46			Base, Closing Plug (NSS)	3
47	ESL10361	EXP-13468-AA	Overflow Valve	1
48	ESL13405	EXP-13466-AA	Sealing Washer	2
49	ESL10353	EXP-13455-AA	Gasket	1
50	ESL10354	EXP-13456-AA	Inspection Cover	1
51	ESL10355	EXP-13458-AA	Gasket	1
52	ESL11842	EXP-13459-AA	Screw	2
53	ESL11745	EXP-13447-AA	Banjo Bolt	1
54	ESL10359	EXP-13448-AA	Sealing Washer	2
55	ESL10302	91NH-9D546-BA	Tube Assembly, FIP Outlet	1
56	ESL10303	C5NE-9E526-B	Clip, Tube FIP Outlet	1
57			Screw, Tamper Proof (NI)	1



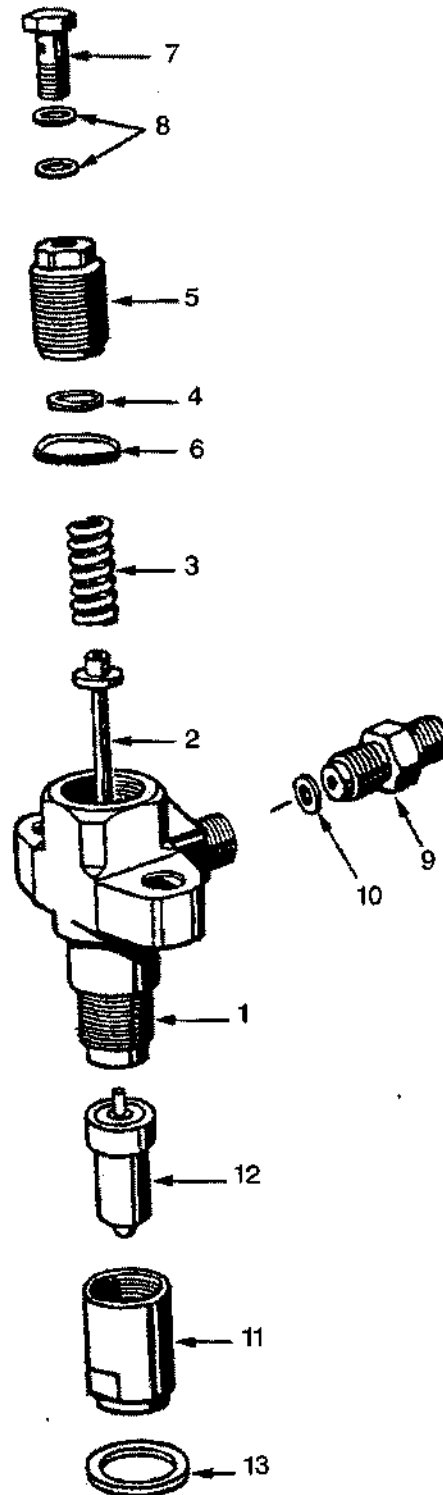




<b>ITEM</b>	<b>LONG No.</b>	<b>VENDOR No.</b>	<b>DESCRIPTION</b>	<b>QTY.</b>
				<b>70</b>
1			Housing, Governor (Mechanical) (NSS)	1
2			Shackle (NSS)	1
3			Screw, Maximum Speed Stop (NSS)	1
4			Nut, Maximum Speed Stop Screw (NSS)	1
5			Cover (NSS)	1
6	ESL10368	EXP-13478-AA	Sealing Washer	2
7	ESL11844	EXP-13479-AA	Screw, Idling Adjusting	1
8	ESL11787	EXP-13480-AA	Nut	1
9	ESL10404	EXP-13527-AA	Gasket	1
10	ESL10405	EXP-13528-AA	Gasket	1
11	ESL11846	EXP-13481-AA	Screw, Full Load Stop	1
12	ESL11788	EXP-13482-AA	Nut, Full Load Stop Screw	1
13			Tension Lever (NSS)	1
14			Guide Lever (NSS)	1
15			Lever Shaft (NSS)	1
16			Sealing Plug (NSS)	2
17			Floating Lever (NSS)	1
18			Circlip, Shackle & Floating Lever (NSS)	2
19			Slider (NSS)	1
20			Screw Assembly, Supplementary Idling (NSS)	1
21			Nut (NSS)	1
22			Shackle (NSS)	1
23			Swiveling Lever Assembly (NSS)	1
24			Notch Screw (NSS)	1
25			Bearing Bush (NSS)	2
26			'O' Ring (NSS)	2
27			Circlip (NSS)	2
28			Spring, Governor (NSS)	1
29			Washer (NI) (NSS)	1
30			Spring Washer (NI) (NSS)	2
31			'O' Ring (NSS)	1
32			Washer (0.5 mm Thick) (NSS)	2
-			Washer (1.0 mm Thick) (NSS)	AR
33			Control Lever (NSS)	1
34	ESL11847	EXP-13505-AA	Screw	2
35			Cap (NSS)	1
36	ESL10384	EXP-14107-AA	Stop Lever With Bracket	1
37	ESL10385	EXP-13507-AA	Sealing Washer	2
38			Spring (NSS)	1
39			'O' Ring (NSS)	1

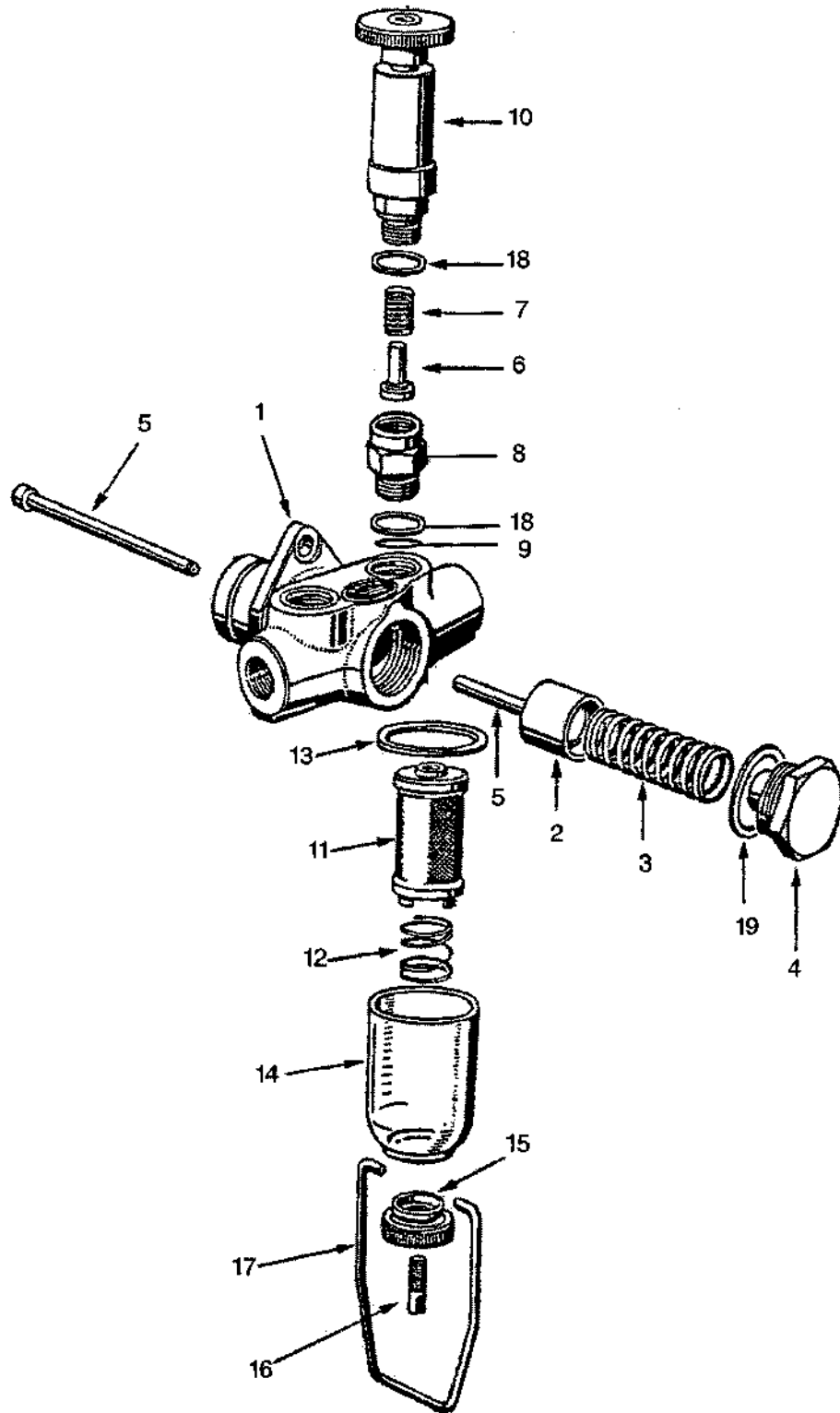


ITEM	LONG No.	VENDOR No.	DESCRIPTION	QTY.
				<b>70</b>
40			Bearing Bush (NSS)	1
41			Cap (NSS)	1
42			Spring (NSS)	1
43			Shaft (NSS)	1
44			Spring Capsule (NSS)	1
45			Supporting Lever (NSS)	1
46			Spring (NSS)	1
47			Fixing Bracket (NSS)	1
48			Spring (NSS)	1
49			Screw (NSS)	6
50			Screw (NSS)	1
51			Spring Washer (NSS)	1
52			Flyweight Assembly (NSS)	1
53			Spring Washer (NSS)	1
54			Nut, Round (NSS)	1
55			Spring, Ring (NSS)	1
56			Washer (NSS)	1
57			Bearing Bush (NSS)	1
58			Compensating Washer, 0.2mm (NSS)	AR
-			Compensating Washer, 0.3mm (NSS)	AR
-			Compensating Washer, 0.4mm (NSS)	AR
-			Compensating Washer, 1.0mm (NSS)	AR
59			Starting Spring (NSS)	1
60			Sleeve, Starting Spring (NSS)	2
61			Screw (Lower) (NSS)	4
62			Screw (Upper) (NSS)	2
63	ESL10402	EXP-13523-AA	Closing Plug	1
64	ESL11852	EXP-13524-AA	Cap Nut	1
65	ESL11853	EXP-13525-AA	Cap Nut	1
66			Fixing Bracket (NI) (NSS)	1



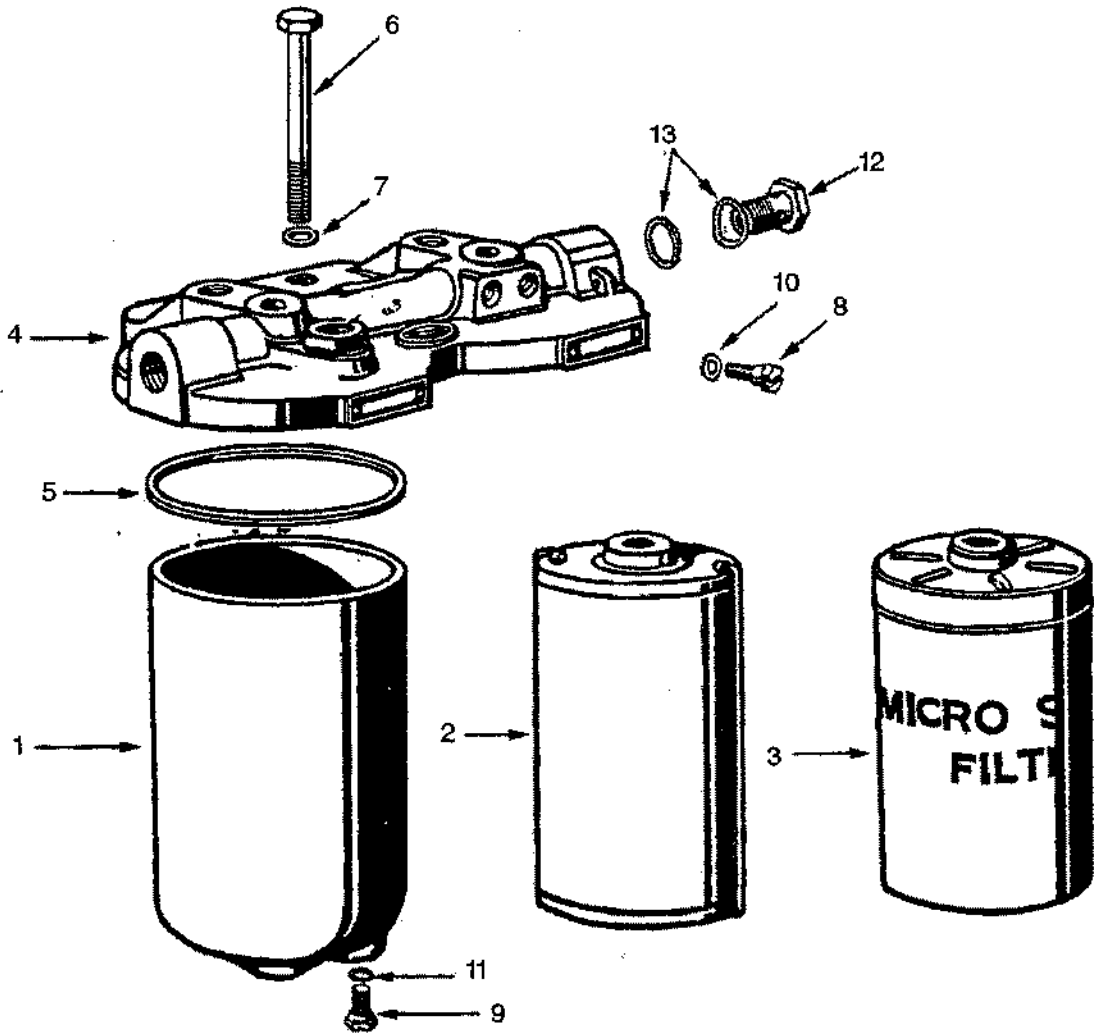


<b>ITEM</b>	<b>LONG No.</b>	<b>VENDOR No.</b>	<b>DESCRIPTION</b>	<b>QTY.</b>
				<b>70</b>
-	ESL12663	11-64590-AA	Injector Assembly (Includes Items # 1-6, 9-12)	3
1	ESL13330	12-64590-AA	Nozzle Holder	3
2			Pressure Bolt (NSS)	3
3	ESL10408	EXP-10325	Spring	3
4	ESL10409	EXP-10330	Shim, Spring Pressure Adjusting (0.30mm)	AR
-	ESL10410	EXP-10331	Shim, Spring Pressure Adjusting (0.65mm)	AR
-	ESL10411	EXP-10332	Shim, Spring Pressure Adjusting (0.40mm)	AR
-	ESL10412	EXP-10333	Shim, Spring Pressure Adjusting (0.45mm)	AR
-	ESL10413	EXP-10334	Shim, Spring Pressure Adjusting (0.50mm)	AR
-	ESL10414	EXP-10335	Shim, Spring Pressure Adjusting (0.55mm)	AR
-	ESL10415	EXP-10336	Shim, Spring Pressure Adjusting (0.60mm)	AR
-	ESL10416	EXP-10337	Shim, Spring Pressure Adjusting (1.00mm)	AR
-	ESL10417	EXP-10338	Shim, Spring Pressure Adjusting (2.00mm)	AR
-	ESL10418	EXP-10339	Shim, Spring Pressure Adjusting (0.10mm)	AR
5			Cap Nut, Spring (NSS)	3
6	ESL11669	EXP-10327	Washer	3
7	ESL13683	73NH-9N663-A	Bolt, Banjo (M8 x 1)	3
8	ESL11650	73NH-9N661-A	Washer	3
9			Inlet, Connection Stud (NSS)	3
10	ESL11670	72NH-9G547-A	Washer	3
11			Cap Nut, Nozzle (NSS)	3
12	ESL13277	F002-C3O-108	Nozzle	3
13	ESL11652	72NH-9E529-A	Nozzle Sealing Washer	3





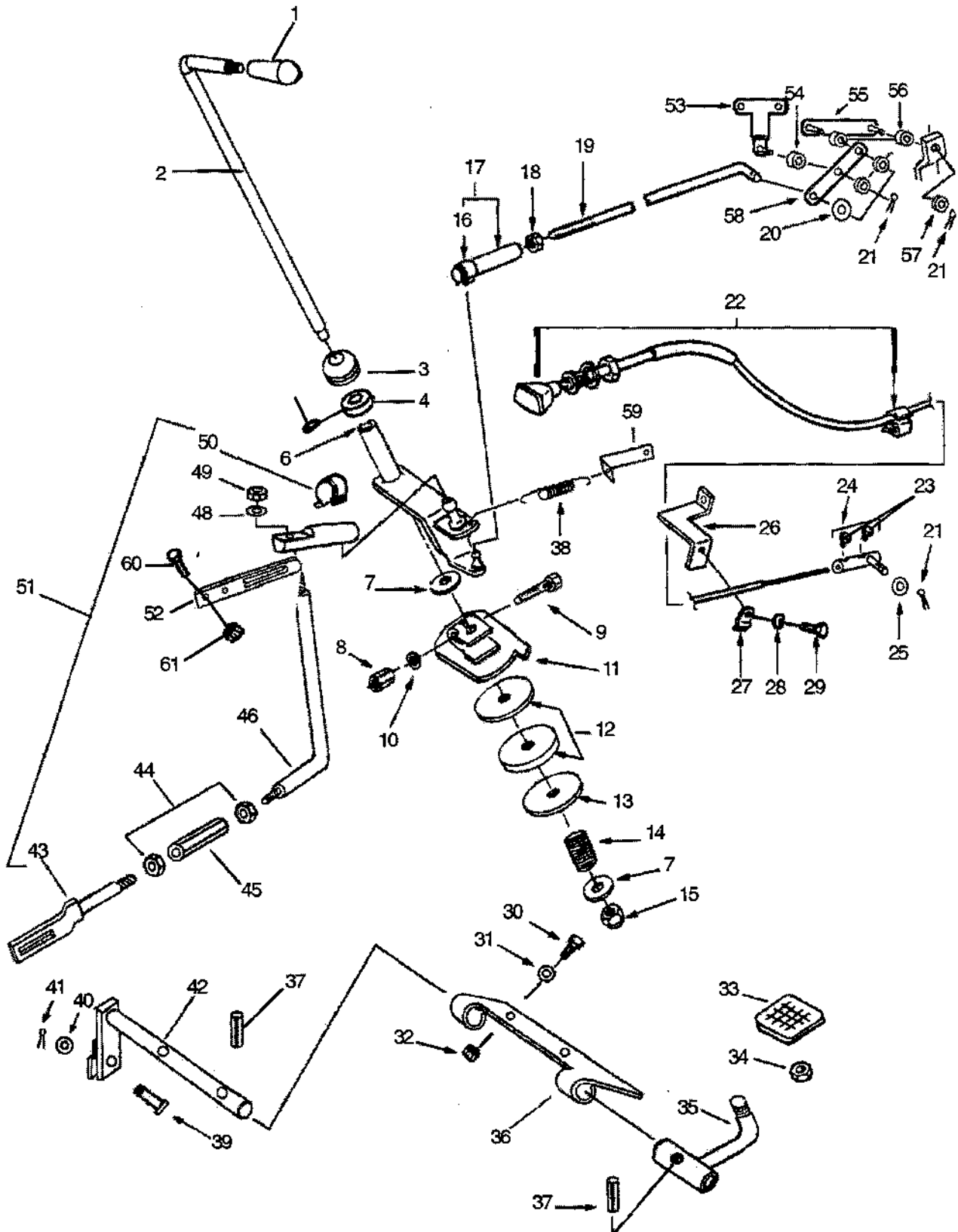
<b>ITEM</b>	<b>LONG No.</b>	<b>VENDOR No.</b>	<b>DESCRIPTION</b>	<b>QTY.</b>
-	ESL10442	76NH-9350-A	Fuel Feed Pump Assembly (Includes Items #1-2a)	1
1			Housing, Fuel Feed Pump (NSS)	1
2			Pump Plunger, Blue (NSS)	1
-			Pump Plunger, White (NSS)	1
3	ESL10426	EXP-10144	Spring, Pump Plunger	1
4	ESL10427	EXP-10145	Closing Plug	1
5	ESL10428	EXP-10142	Pressure Spindle	1
6	ESL10429	EXP-10152	Valve	1
7	ESL10430	EXP-10153	Spring	1
8	ESL10431	EXP-10154	Reducing Nipple	1
9	ESL13406	24-40210-009	'O' Ring	1
10	ESL10432	EXP-10156	Hand Primer	1
11	ESL10433	EXP-10908-A	Prefilter Sieve	1
12	ESL10434	EXP-10909-A	Spring	1
13	ESL10435	EXP-10907-A	Sealing Washer	1
14	ESL10436	EXP-10906-A	Prefilter Housing	1
15	ESL10437	EXP-10911-A	Clamping Nut	1
16	ESL10438	EXP-10912-A	Stud	1
17	ESL10439	EXP-10913-A	Clip	1
18	ESL10440	EXP-10155	Sealing Ring	2
19	ESL10441	EXP-10146	Sealing Ring	1





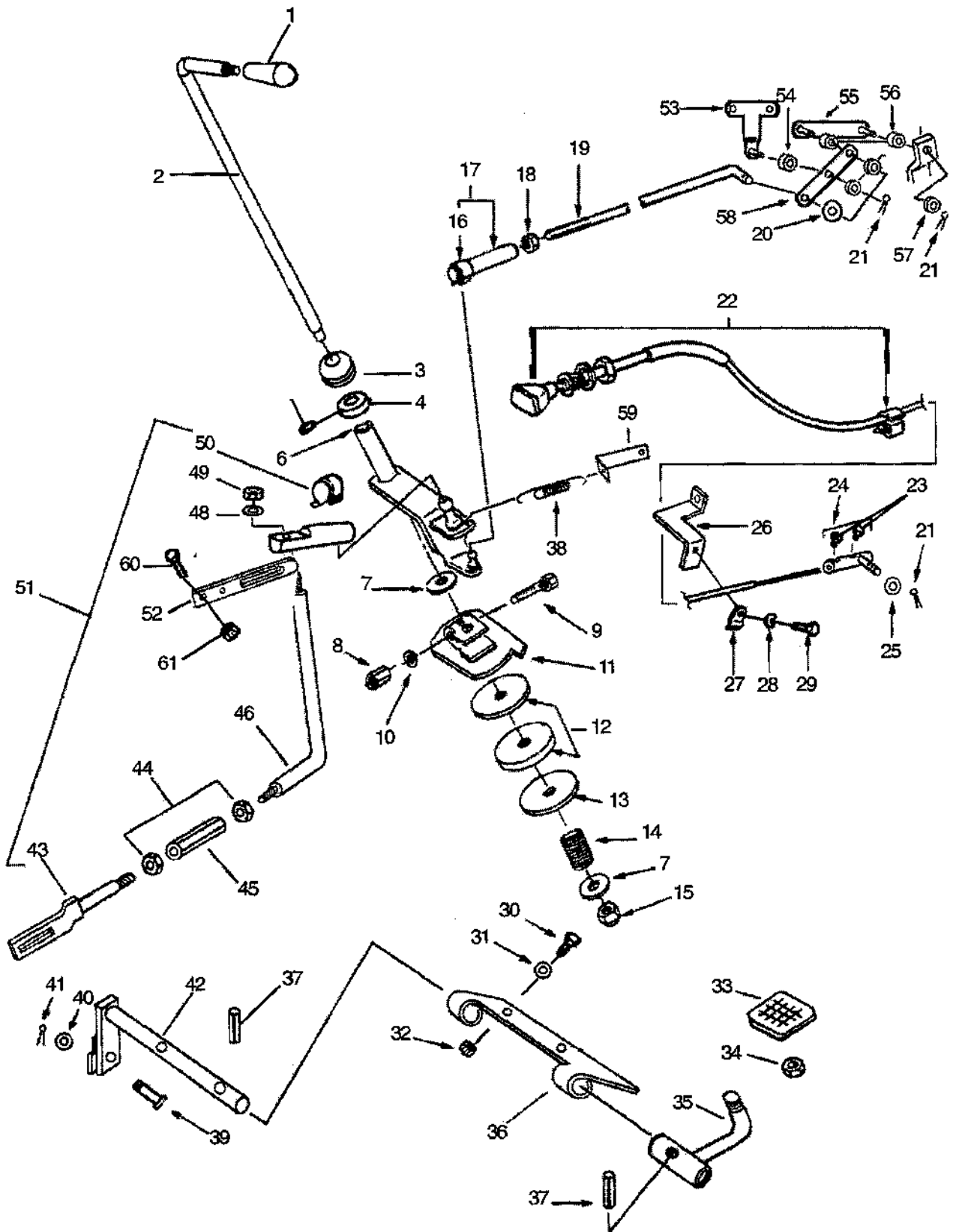


<i>ITEM</i>	<i>LONG No.</i>	<i>VENDOR No.</i>	<i>DESCRIPTION</i>	<i>QTY.</i>
				<b>70</b>
1-13	ESL13313	13-64150-AA	Filter Assembly, Fuel	1
1	ESL10443	EXP-10342	Filter Bowl	2
2	ESL10444	72NH-9176-B	Filter Fuel, Secondary	1
3	ESL10445	72NH-9176-A	Filter Fuel, Primary	1
4	ESL10446	72NH-9165-A	Cover, Filter	1
5	ESL11671	72NH-9D325-A	Washer	2
6	ESL11855	EXP-10345	Screw, Fixing	2
7	ESL11672	72NH-9F278-A	Washer	2
8	ESL11856	EXP-10343	Screw, Air Vent	2
9	ESL11857	EXP-10897-A	Sludge Screw	2
10	ESL11673	EXP-10344	Washer	2
11	ESL10447	EXP-10896-A	Sealing Washer	2
12	ESL11778	74NH-9N663-A	Banjo Bolt	2
13	ESL10357	82835036	Sealing Washer	4





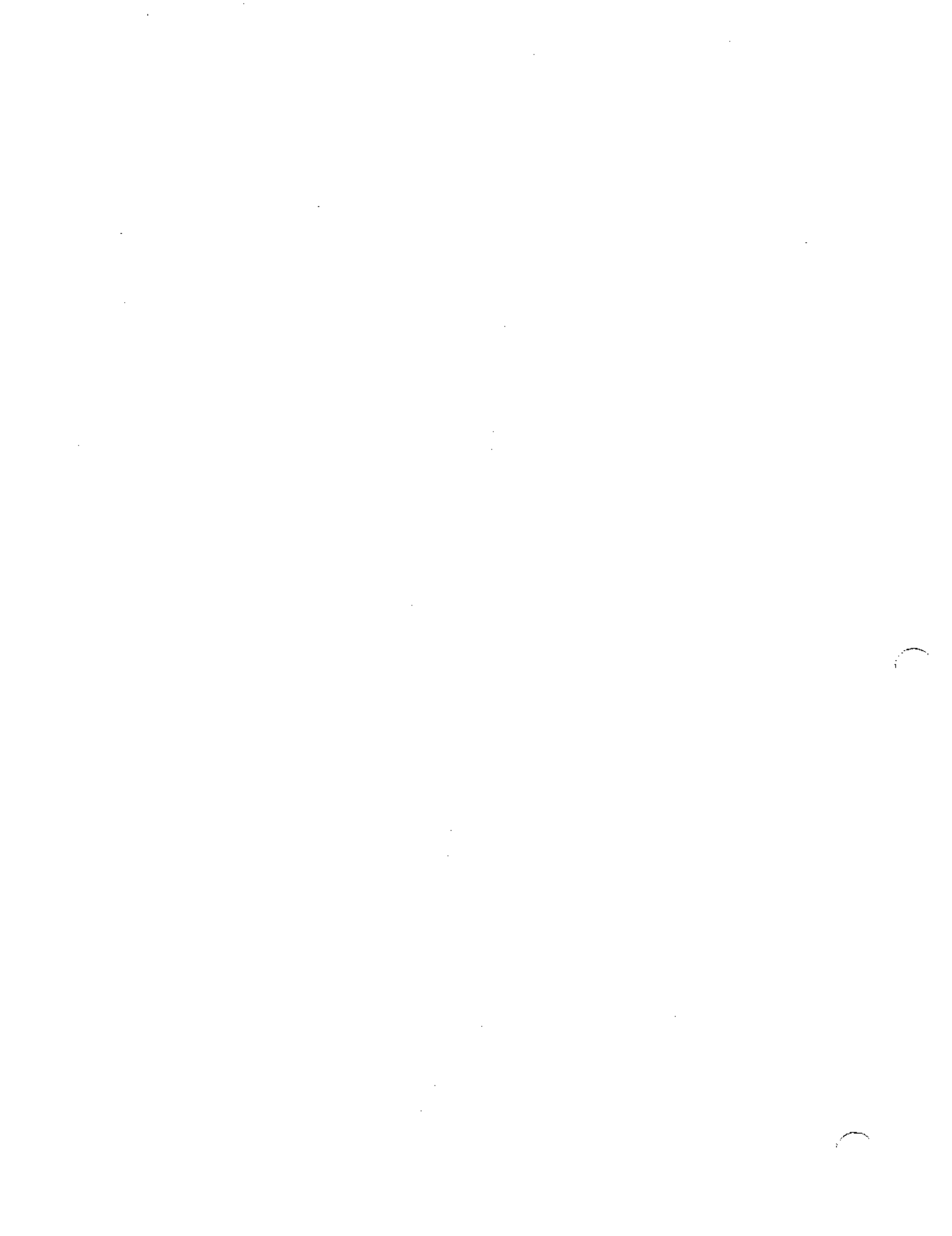
<i>ITEM</i>	<i>LONG No.</i>	<i>VENDOR No.</i>	<i>DESCRIPTION</i>	<i>QTY.</i> <b>70</b>
1	ESL12687	25-96553-AA	Knob, Hand Throttle	1
2	ESL12689	25-91580-AD	Lever Assembly, Hand Throttle (Includes Item #1)	1
3	ESL12636	82835409	Grommet,	1
4	ESL13300	92NH-9B829-AA	Stop, Throttle Control Lever	1
5	N-60550-S8	N-605500-S36	Bolt, Hex Head (M5x0.8-8)	1
6	ESL10455	82835105	Arm Assembly, Throttle Control	1
7	44726-S8	44726-S36	Washer, Flat (3/8)	2
8	82835179	82835179	Nut, Hex (5/16-24)	1
9	379586-S8	379586-S36	Bolt (5/16-24*1.25)	1
10	ESL11674	352321-S36	Washer, Flat (5/16)	1
11	ESL10461	92NH-9N720-AA	Plate Assembly, Throttle Control	1
12	ESL10457	93NH-9B746-AA	Disc, Throttle Control Friction	2
13	ESL10460	11-91720-AA	Plate, Throttle Lever Friction	1
14	ESL10452	E1ADKN-19243	Spring, Main Control Lever	1
15	ESL11791	377360-S36	Nut, Thick Lock (3/8-24)	1
16	ESL10463	85NH-9A791-AA	Clip, Throttle Control	1
17	ESL10462	85NH-9740-AA	Connector, Throttle Control Rod	1
18	33796-S8	33796-S36	Nut, Hex (1/4-28)	1
19	ESL12678	25-91200-AA	Rod Assembly, Throttle Control (Includes Items 16-18)	1
20	44719-S8	44719-S36	Washer, Flat (1/4)	1
21	ESL12688	NH-72003-S8	Pin, Cotter (1/16x0.50)	5
22	ESL10468	84NH-9C331-AA	Control Assembly, Fuel Shut Off	1
23	ESL11858	31037-S36	Screw	2
24	ESL10471	85NH-9N657-AA	End, Fuel Shut Off Cable (Includes Item #23)	1
25	ESL11676	73NH-9N658-A	Washer, Fuel Shut Off	1
26	ESL13278	85NH-9N656-AA	Bracket Assembly, Shut Off Cable	1
27	ESL10478	71NH-9792-A	Clamp, Fuel Shut Off Cable	1
28	34803-S8	34803-S36	Washer, Lock (10)	1
29	54042-S8	54042-S36	Screw (10-24)	1
30	ESL12014	304633-S36	Bolt, Hex Head (1/4-28x0.62)	2
31	44719-S8	44719-S36	Washer, Flat (1/4)	2
32	33796-S8	33796-S36	Nut, Hex (1/4-28)	2
33	ESL12690	25-44196-AA	Pedal	1
34	ESL12691	E-620334-S72	Nut, Hex (M10)	1
35	ESL12692	25-91077-BA	Pedal Assembly Acc. (Shank & Hub)	1
36	ESL12693	25-91035-AB	Bracket Acc. Pedal	1
37	ESL11156	305061-S2	Pin, Spring (3/16x0.8125)	2
38	ESL10480	93NH-2472-AA	Spring	1
39	76023-S8	76023-S36	Pin, Clevis (3/8x13/16)	1
40	44726-S8	44726-S36	Washer, Flat (3/8)	1



<i>ITEM</i>	<i>LONG No.</i>	<i>VENDOR No.</i>	<i>DESCRIPTION</i>	<i>QTY.</i>
				<b>70</b>
41	ESL12679	NH-72016-S8	Pin Cotter (3/32x0.75)	1
42	ESL12680	25-91090-AB	Arm Assembly Acceleration Control	1
43	ESL12681	25-91210-BA	Rod Assembly Acceleration Control	1
44	N-620013-S8	N-620013-S36	Nut, Hex (M8x1.25)	2
45	ESL12682	25-91184-AA	Coupler Acceleration Control	1
46	ESL12683	25-91181-AB	Rod Acceleration Control	1
47	ESL12684	25-91067-BA	Connection Assembly	1
48	N-630067-S8	N-630067-S36	Washer, Flat (M6)	1
49	N-620012-S8	N-620012-S36	Nut, Hex (M6x1.0)	1
50	ESL10464	82835068	Lock Throttle Lever	1
51	ESL12685	25-91180-BA	Link Assembly Acceleration Control	1
52	ESL12686	25-91190-AA	Guide Foot Acceleration	1
53	ESL10472	85NH-9N656-BA	Bracket Assembly Fuel Shut Off	1
54	ESL10476	87NH-3N948-AA	Spacer	1
55	ESL10473	85NH-9N656-CA	Plate Assembly, Throttle Control	1
56	ESL10474	87NH-3N948-BA	Spacer	2
57	ESL10475	87NH-3N948-CA	Spacer	3
58	ESL10477	85NH-9A760-BA	Plate	1
59	ESL13331	25-91133-AA	Bracket Acceleration Return Spring	1
60	ESL13684	25-16554-AA	CS Screw (M8x1.25x20)	2
61	N-620013-S8	N-620013-S36	Nut (M8)	2

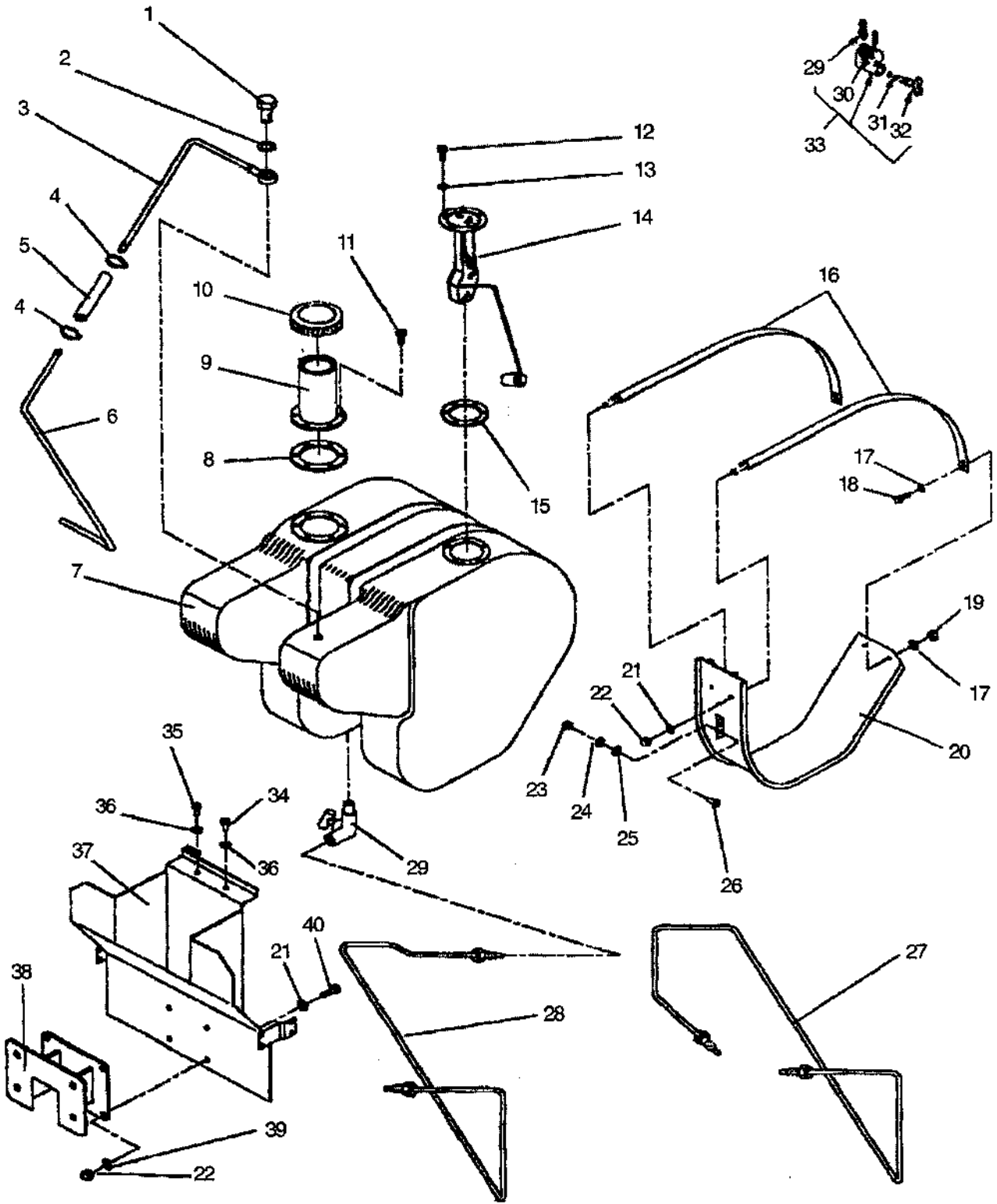
# Notes



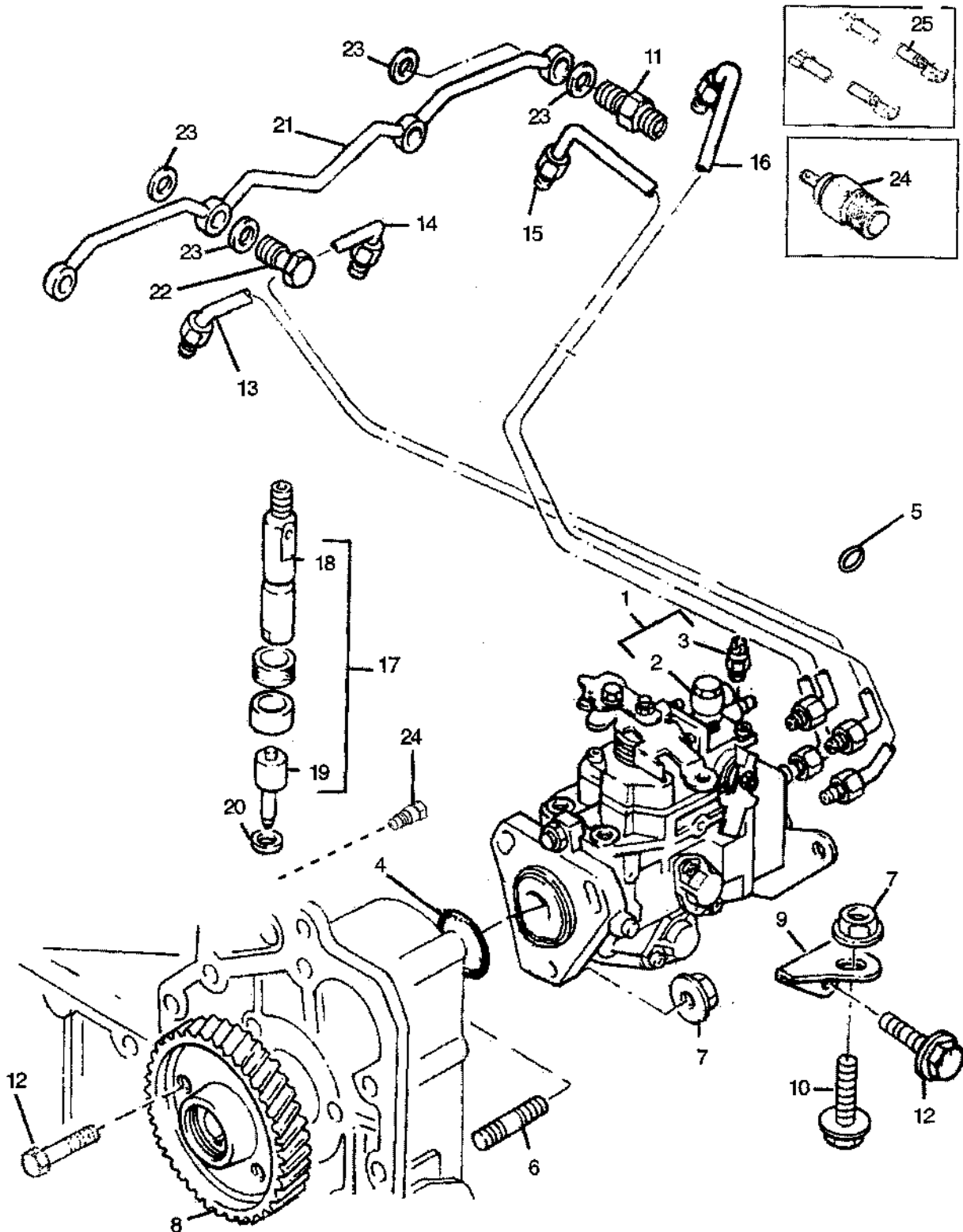




***FUEL SYSTEM &  
THROTTLE LINKAGES  
(FT 80 ONLY)***

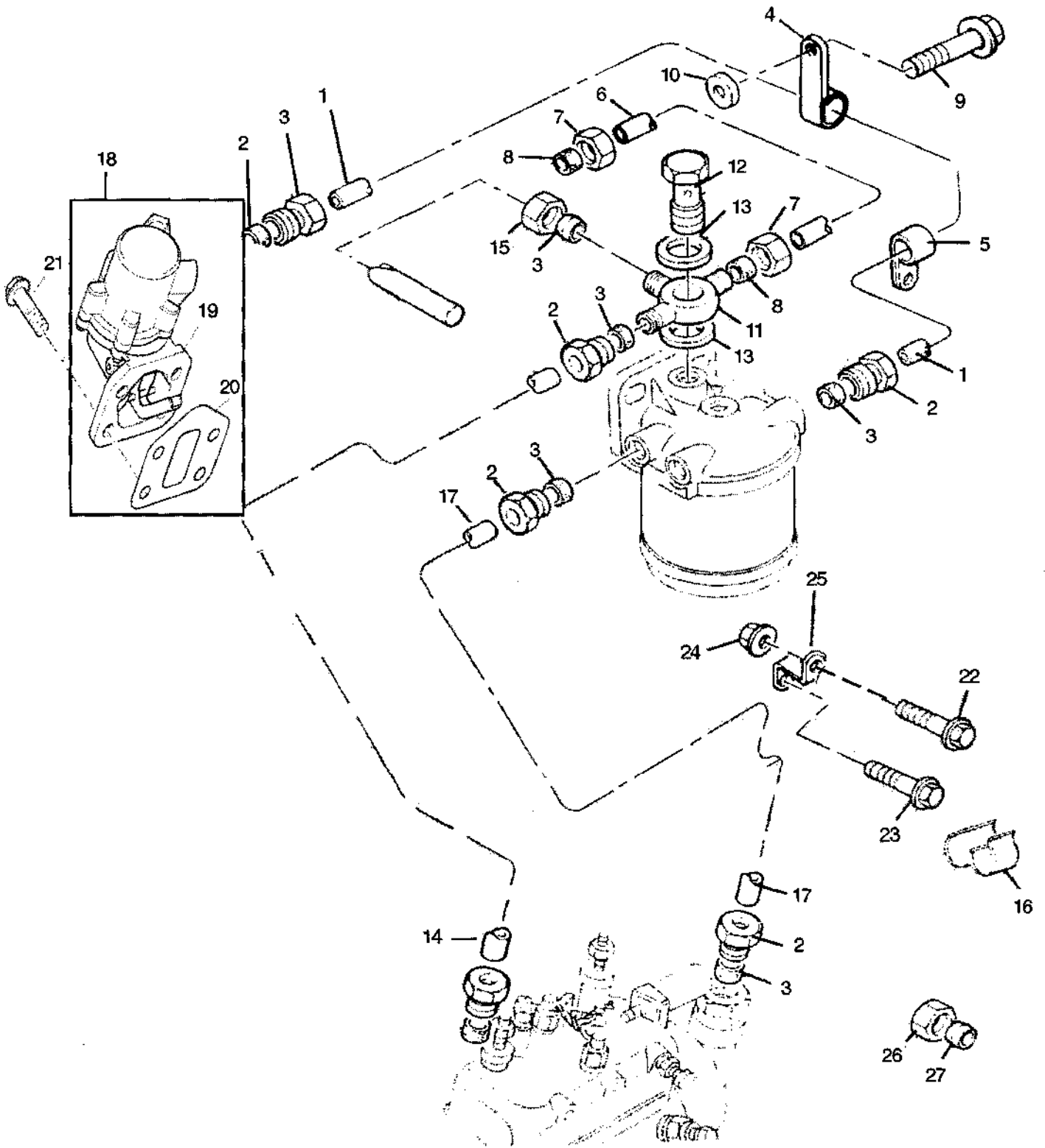


<b>ITEM</b>	<b>LONG No.</b>	<b>VENDOR No.</b>	<b>DESCRIPTION</b>	<b>QTY.</b>
				<b>80</b>
1	ESL11744	73NH-9N662-A	Banjo Bolt	1
2	ESL11650	73NH-9N661-A	Washer	1
3	ESL14199	30-89298-AA	Tube Assembly, Fuel Tank Return	1
4	ESL10298	73NH-9N279-A	Clamp Assembly, Fuel Tube Return	2
5	ESL10295	90NH-9A563-AA	Hose, Fuel Injector Leak-Off	1
6	ESL13275	30-64337-BA	Tube Assembly, Engine Overflow	1
7	ESL12657	30-89060-AA	Tank Assembly, Fuel	1
8	ESL12665	30-89054-BA	Gasket, Fuel Tank Neck	2
9	ESL12664	30-89040-BB	Flange Assembly, Fuel Tank	1
10	ESL12068	11-89030-AA	Cap, Fuel Tank	1
11	ESL12666	N-603077-S36	Bolt (M4x0.7x10)	8
12	ESL11890	54677-S36	Screw, Hex Head (M10-32x0.625)	5
13	N-630066-S8	N-630066-S36	Washer, Flat	5
14	ESL13511	25-12310-AA	Float Assembly, Fuel Tank Sender	1
15	ESL14201	D5NN-9276-A	Gasket, Fuel Tank Sender	1
16	ESL12667	30-89051-AC	Belt, Tank Hold	2
17	N-630068-S8	N-630068-S36	Washer, Flat (M8)	4
18	ESL12668	E-602184-S36	Bolt (M8x1.25x12)	2
19	N-620013-S8	N-620013-S36	Nut (M8x1.25)	2
20	ESL12670	30-89052-CA	Bracket, Tank Hold	1
21	ESL11956	N-630069-S36	Washer, Flat (M10)	6
22	N-620042-S8	N-620042-S36	Nut (M10)	6
23	33797-S8	33797-S36	Nut, Hex (5/16)	2
24	34941-S8	34941-S36	Washer, External Tooth (5/16)	2
25	44722-S8	44722-S36	Washer, Flat (5/16)	2
26	304634-S8	304634-S36	Bolt, Hex Head (5/16-24x0.88)	2
27	ESL13403	30-64575-AA	Tube Assembly, Filter to Lift Pump	1
28	ESL14200	30-64282-AB	Tube Assembly, Tank to Filter	1
29	ESL10257	E2NN-9N024-AA	Tap & Screen Assembly, Fuel (Includes Items (10-13)	1
30	ESL10258	D8NN-9N187-AA	Filter, Fuel Tap & Priming Pump	1
31			Spring, Fuel Control Valve Retainer (NSS)	1
32			Ring, Fuel Control Valve Retaining (NSS)	1
33			Valve & Seal Assembly, Fuel Control Tap (NSS)	1
34	ESL12674	76NH-16803-A	Screw Hood, Pannel (LH)	1
35	38207-S8	38207-S36	Screw, Pan Head (1/4-28x0.50)	1
36	44719-S8	44719-S36	Washer, Flat (1/4)	2
37	ESL12671	30-89053-CA	Shield, Bracket Fuel Tank	1
38	ESL14198	30-18111-CA	Bracket, Fuel Tank Shield	1
39	N-630174-S8	N-630174-S36	Washer, Lock (M10)	4
40	ESL12672	N-605545-S36	Bolt (M10x1.5x25)	4



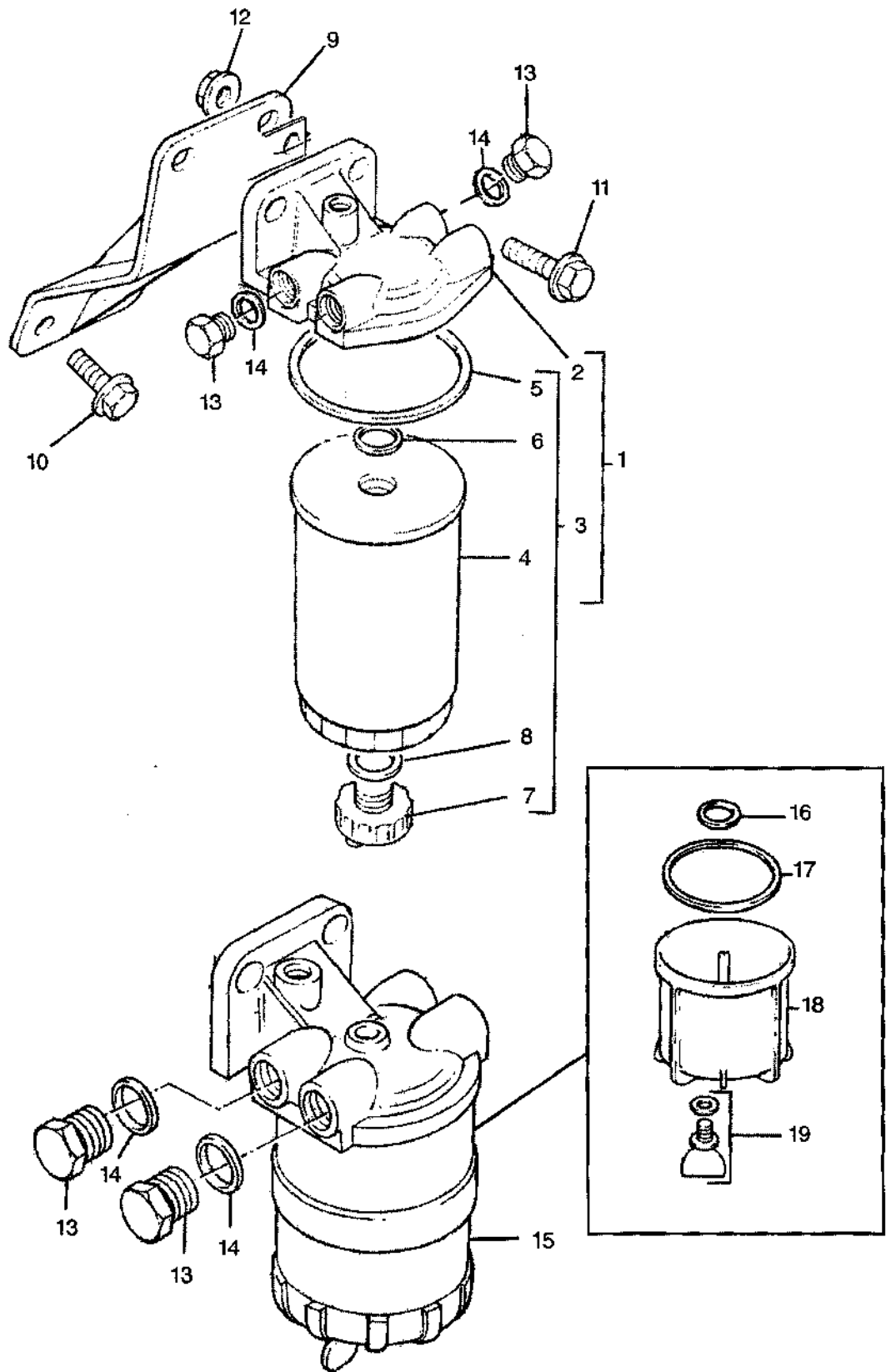


<i>ITEM</i>	<i>LONG No.</i>	<i>VENDOR No.</i>	<i>DESCRIPTION</i>	<i>QTY.</i>
				<b>80</b>
1	ESL13899	U2644G001	Injection Pump Assembly (Includes Items#2-3)	1
2			Injection Pump	1
3	ESL13913	28730179	Solenoid	1
4	ESL13973	26420318	'O'Ring	1
5	ESL13914	2648A116	Cap	1
6	ESL13915	2313M059	Stud	3
7	ESL13920	2318A603	Nut	4
8	ESL13917	3117L212	Gear, Fuel Injection Pump	1
9	ESL13918	3644Y004	Bracket	1
10	ESL14146	2314H003	Screw	1
11	ESL13931	3355V002	Connection	1
12	ESL13921	2314J002	Screw	5
13	ESL13922	3521H065	Injection Pipe, 1st Cylinder	1
14	ESL13923	3521H083	Injection Pipe, 2nd Cylinder	1
15	ESL13924	3521H067	Injection Pipe, 3rd Cylinder	1
16	ESL13925	3521H068	Injection Pipe, 4th Cylinder	1
17	ESL13926	U2645A058	Atomiser	4
18	ESL13927	2645A311	Holder	4
19	ESL13928	2645K609	Nozzle	4
20	ESL13929	L311FF02	Washer, Injector	4
21	ESL13930	3558X051	Leak-Off Pipe, Injector	1
22	ESL13934	3218R005	Banjo Bolt	3
23	ESL13932	2415D051	Washer	8
24	ESL13939	2848A121	Sender	1
25	ESL13940	3161C005	Cable	1





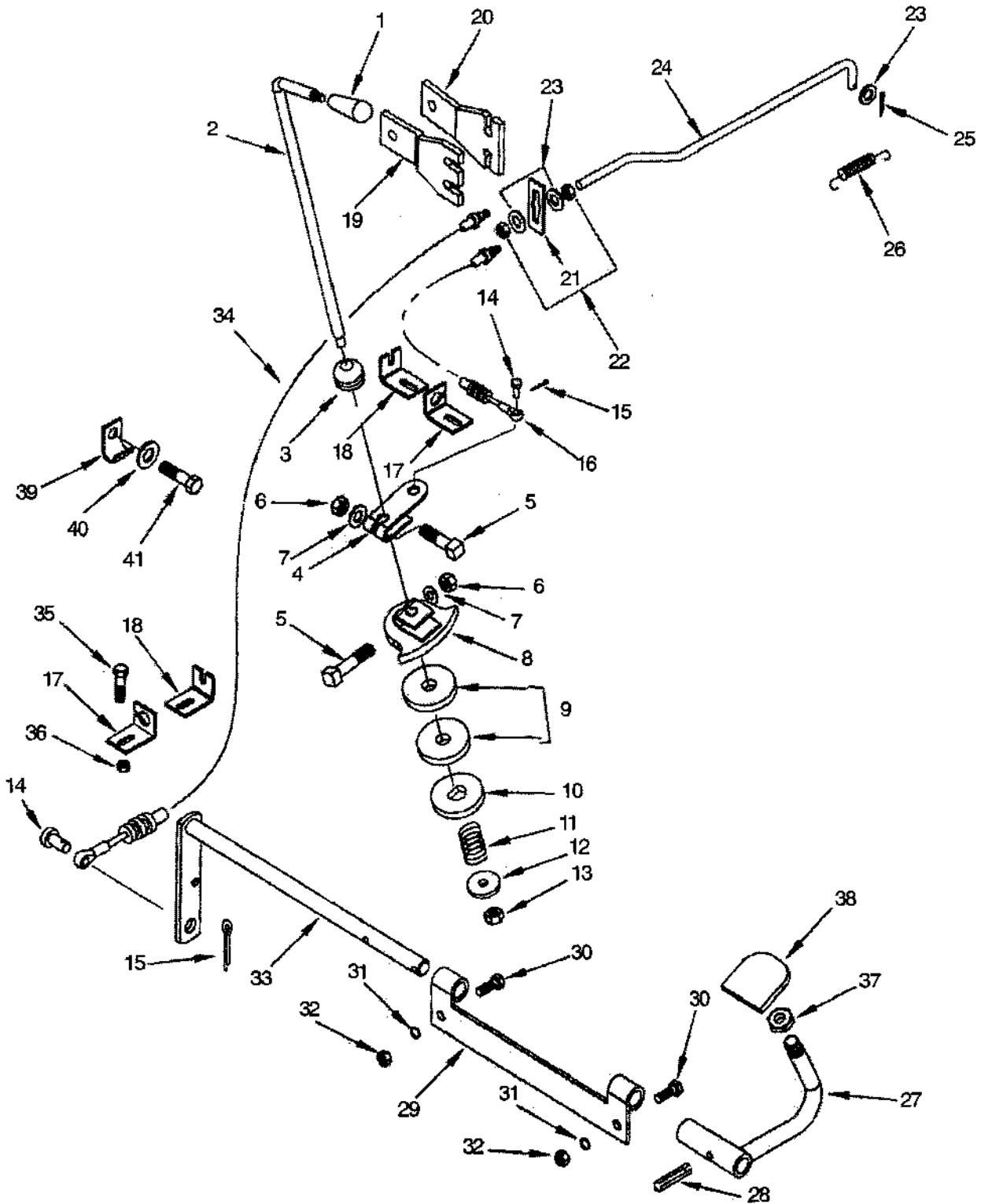
<b>ITEM</b>	<b>LONG No.</b>	<b>VENDOR No.</b>	<b>DESCRIPTION</b>	<b>QTY.</b>
				<b>80</b>
1	ESL14121	4125A033	Pipe, Lift Pump to Filter (Includes Items #2-5)	1
2	ESL14122	33532129	Nut	6
3	ESL14123	33811114	Olive	7
4	ESL14124	3656P004	Clip	1
5	ESL14125	3656P008	Clip	1
6	ESL14126	3435A019	Pipe Fuel	1
7	ESL14127	33225412	Union Nut	2
8	ESL14128	33811112	Olive	2
9	ESL14146	2314H003	Screw	1
10	ESL14147	0920496	Washer	1
11	ESL14129	3172X005	Connection	1
12	ESL14130	3218R013	Banjo Bolt	1
13	ESL14131	2415928	Washer	1
14	ESL14137	4122M019	Pipe (Includes Item #2-3)	1
15	ESL14132	33225414	Nut	1
16	ESL14148	2481D302	Clip	1
17	ESL14133	4122M012	Pipe, Filter to FI Pump	1
18	ESL14183	ULPK0034	Lift Pump Assembly	1
19			Lift Pump (NSS)	1
20	ESL14184	3685R007	Joint	1
21	ESL13764	2314H033	Screw	4
22	ESL14142	2314F006	Screw	1
23	ESL14145	2314F002	Screw	1
24	ESL14143	2318A602	Nut	1
25	ESL14144	3653R002	Bracket	1
26	ESL14149	0576113	Nut	1
27	ESL14500	0566004	Olive	1







<b>ITEM</b>	<b>LONG No.</b>	<b>VENDOR No.</b>	<b>DESCRIPTION</b>	<b>QTY.</b>
				<b>80</b>
1	ESL14110	2656F802	Fuel Filter Assembly (Includes Item #2-3)	1
2	ESL14111	26560150	Filter Head	1
3	ESL14112	26560608	Element, Fuel Filter (Includes Item #4-8)	1
4			Element (NSS)	1
5			Seal (NSS)	1
6			Seal (NSS)	1
7	ESL14113	26560609	Plug, Drain	1
8	ESL14114	26431192	Washer	1
9	ESL14115	3831E006	Bracket	1
10	ESL13921	2314J002	Screw	2
11	ESL14117	2314J004	Screw	2
12	ESL13946	2318A604	Nut	2
13	ESL14119	0650204	Plug	2
14	ESL14120	0920154	Washer	2
15	ESL14500	2656086	Fuel Filter Assembly	1
16	ESL14501	26560016	Washer	1
17	ESL14502	0490786	'O'Ring	1
18	ESL14503	26560075	Container	1
19	ESL14504	26560614	Plug	1

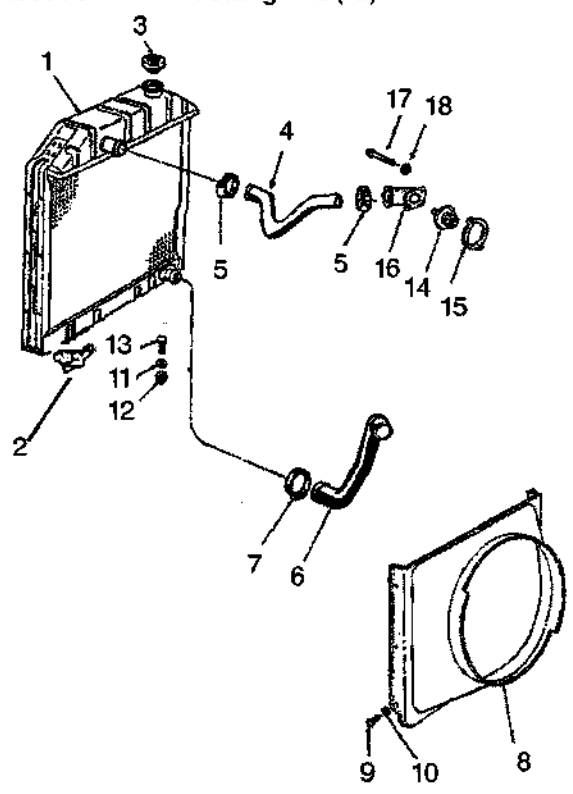


ITEM	LONG No.	VENDOR No.	DESCRIPTION	QTY.
				<b>80</b>
1	ESL12687	25-96553-AA	Knob, Hand Throttle	1
2	ESL12689	25-91580-AD	Lever Assembly, Hand Throttle (Includes Item #1)	1
3	ESL12636	82835409	Grommet	1
4	ESL12637	30-91327-AA	Arm, Hand Throttle Control	1
5	600212-S8	N-600212-S36	Bolt (M8x1.25x35)	2
6	N-620013-S8	N-620013-S36	Nut (M8x1.25)	2
7	44726-S8	44726-S36	Washer, Plain (M8)	2
8	ESL12638	30-91214-BA	Plate Assembly, Throttle Control	1
9	ESL10457	93NH-9B746-AA	Disc, Throttle Control Friction	2
10	ESL10460	11-91720-AA	Plate, Throttle Lever Friction	1
11	ESL10452	E1ADKN-19243	Spring, Main Control Lever	1
12	ESL12015	44728-S36	Washer, Flat (3/8)	1
13	ESL11791	377360-S36	Nut, Thick Lock (3/8-24)	1
14	ESL12639	30-91326-AA	Pin Clevis	2
15	ESL12688	NH-72003-S8	Pin Cotter	2
16	ESL12640	30-91329-AA	Cable, Hand Throttle	1
17	ESL12641	30-91322-AA	Clip, Cable Holder Front	2
18	ESL12642	30-91321-AA	Clip, Cable Holder Rear	2
19	ESL12643	30-91324-AA	Bracket, Cable Holder Rear	1
20	ESL12644	30-91323-AA	Bracket, Cable Holder Front	1
21	ESL12645	30-91320-AA	Actuator, Cable to Rod	1
22	N-620012-S8	N-620012-S36	Nut (M6)	2
23	N-630067-S8	N-630067-S36	Washer (M6)	3
24	ESL12646	30-91191-CA	Rod, FIP to Accelerator Control	1
25	ESL12688	NH-72003-S8	Pin Cotter	1
26	ESL12647	30-91334-AA	Spring, Throttle Control	1
27	ESL12692	25-91077-BA	Shank & Hub Assembly Foot Accelerator	1
28	ESL11156	305061-S2	Pin, Spring (3/16x0.8125)	3
29	ESL12693	25-91035-AB	Bracket Foot Accelerator Pedal	1
30	ESL12014	304633-S36	Bolt, Hex Head (1/4-28x0.62)	2
31	44719-S8	44719-S36	Washer, Flat (1/4)	2
32	33796-S8	33796-S36	Nut, Hex (1/4-28)	2
33	ESL12648	30-91090-AA	Arm Assembly, Foot Acceleration Control	1
34	ESL12649	30-91330-AA	Cable, Foot Throttle	1
35	ESL12672	N-605545-S36	Bolt (M10x1.25x25)	1
36	ESL11957	N-620014-S36	Nut (M10x1.5)	1
37	ESL12691	E-620334-S72	Nut	1
38	ESL13025	25-44196-BA	Pedal	1
39	ESL12651	30-91336-AA	Bracket Foot Throttle Cable Support	1
40	ESL12652	N-630076-S36	Washer (M12)	1
41	ESL12653	N-601796-S36	Bolt (M12x1.75x25)	1

# Notes

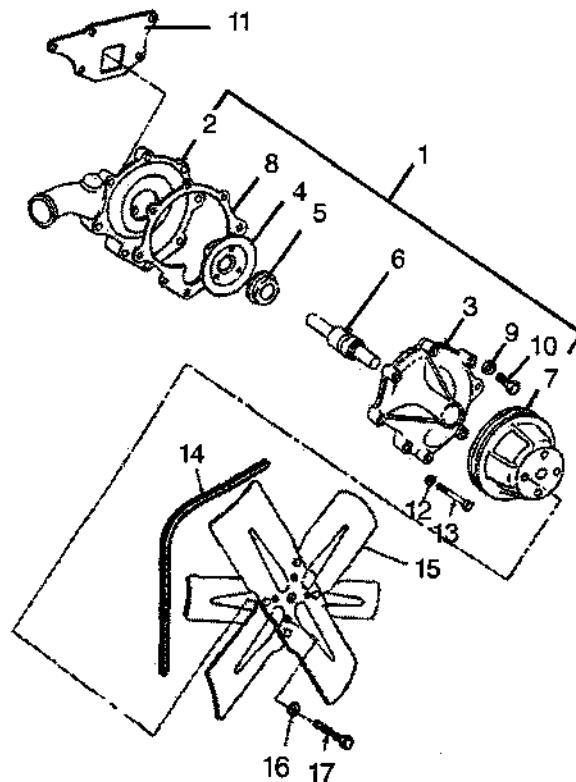
# *COOLING SYSTEM*

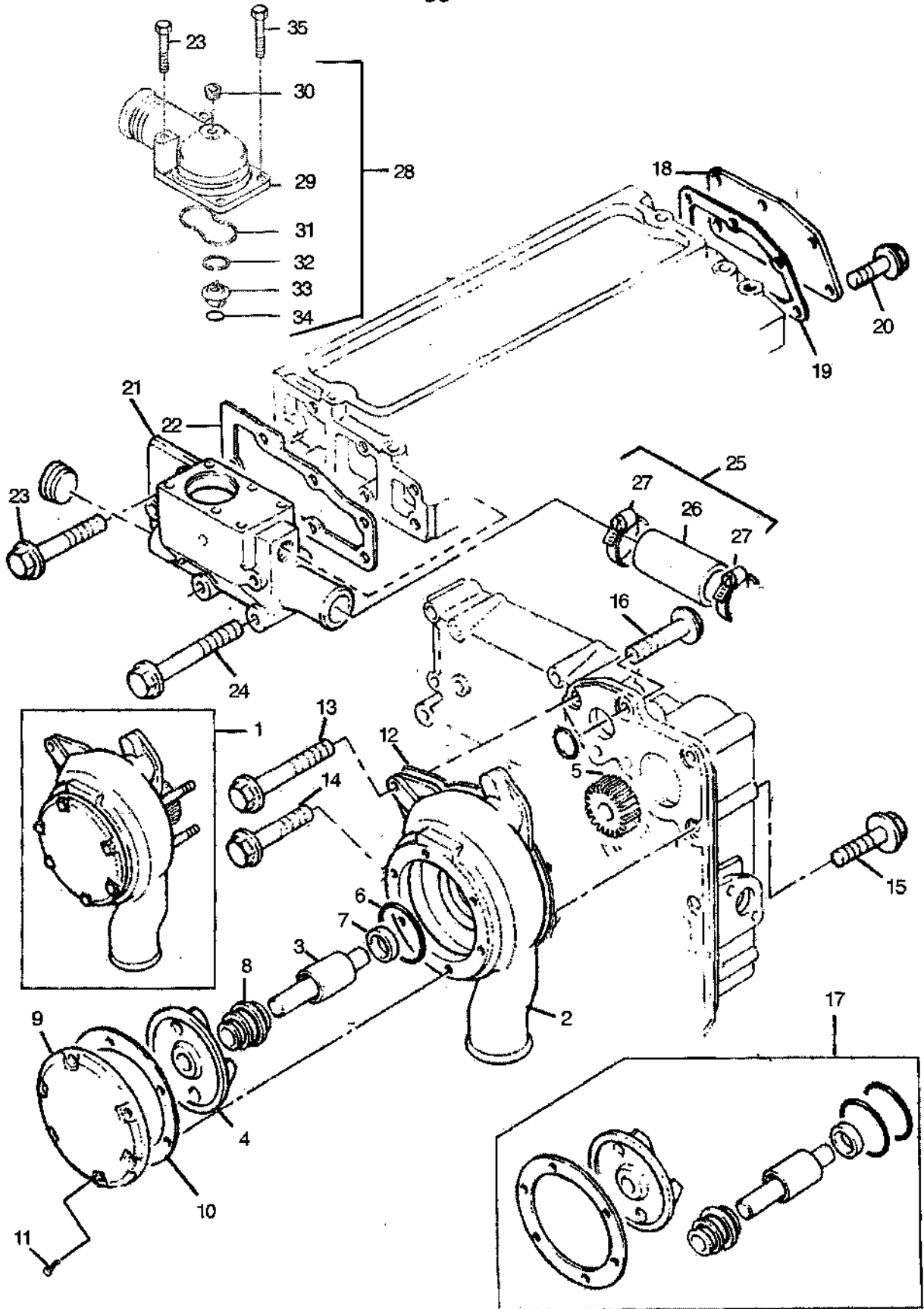
ITEM	LONG No.	VENDOR No.	DESCRIPTION	QTY.	
				70	80
1	ESL12694	25-80010-AA	Radiator & Shroud, Assembly*	1	-
-	ESL12695	30-80090-AA	Radiator & Shroud, Assembly* *(Includes Items 1-3, 8-10 & 13)	-	1
2	ESL10492	C5NN-8115-B	Cock Assembly, Radiator Drain	1	1
3	ESL10493	82NH-8100-AA	Cap Assembly, Pressure	1	1
4	ESL10494	71NH-8260-A	Hose Upper, Radiator	1	-
-	ESL12696	30-80260-BB	Hose Upper, Radiator	-	1
5	ESL10495	74NH-8287-A	Clamp, Radiator Hose Upper	2	2
6	ESL10496	C5NN-8286-B	Hose Lower, Radiator	1	-
-	ESL12697	30-80286-BA	Hose Lower, Radiator	-	1
7	ESL10497	81NH-8N111-AA	Clamp, Radiator Hose Lower	2	2
8	ESL10498	82835422	Shroud, Fan	1	-
9	ESL11859	357622-S36	Screw & Lockwasher Assembly	6	6
10	44710-S8	44710-S36	Washer, Flat	6	6
11	ESL10500	C5NN-8125-A	Insulator, Radiator Support	2	2
12	34978-S8	34978-S36	Nut, Lock (7/16-14)	2	2
13	23607-S8	23607-S36	Bolt, Round Head (7/16-14x3.50)	2	2
14	ESL13310	12-69570-AA	Thermostat, Water	1	-
15	ESL13308	C2DE-8255-A	Gasket, Water Outlet Connection	1	-
16	ESL10503	C7NN-8594-B	Connection, Water Outlet	1	-
17	304701-S8	304701-S36	Bolt, Hex Head (5/16-18x1.125)	2	-
18	ESL11975	34806-S36	Washer, Lock (5/16)	2	-
19	ESL11494	90NH-8N036-AA	Sealing Pad (NI)	1	1



**RADIATOR**

ITEM	LONG No.	VENDOR No.	DESCRIPTION	QTY.
				<b>70</b>
1	ESL10520	82835059	Water Pump Assembly (Includes Item #2-13)	1
2			Housing, Water Pump (NSS)	1
3			Cover, Water Pump Housing (NSS)	1
4			Impeller, Water Pump (NSS)	1
5			Bearing, Water Pump(NSS)	1
6	ESL10510	92NH-8A559-AA	Seal & Seat Assembly	1
7	ESL10511	C5NE-8509-A	Pulley, Water Pump	1
8	ESL10512	C5NE-8513-A	Gasket, Water Pump Cover	1
9	ESL11975	34806-S36	Washer, Lock (5/16)	4
10	304758-S8	304758-S36	Bolt, Hex Head (5/16-18x1.50)	4
11	ESL10514	E5NN-8507-AA	Gasket, Water Pump	1
12	34808-S8	34808-S36	Washer, Lock (7/16)	4
13	302549-S8	302549-S36	Bolt, Hex Head	4
14	ESL10516	D3NN-10C318-C	Belt Drive	1
15	ESL10518	90NH-8600-AB	Fan Assembly	1
16	ESL11975	34806-S36	Washer, Lock (5/16)	4
17	304685-S8	304685-S36	Bolt, Hex Head (5/16-24x0.88)	4
-	ESL13307	SPF.793.000	Water Pump Repair Kit (Includes Items #4-6,8,11)	1



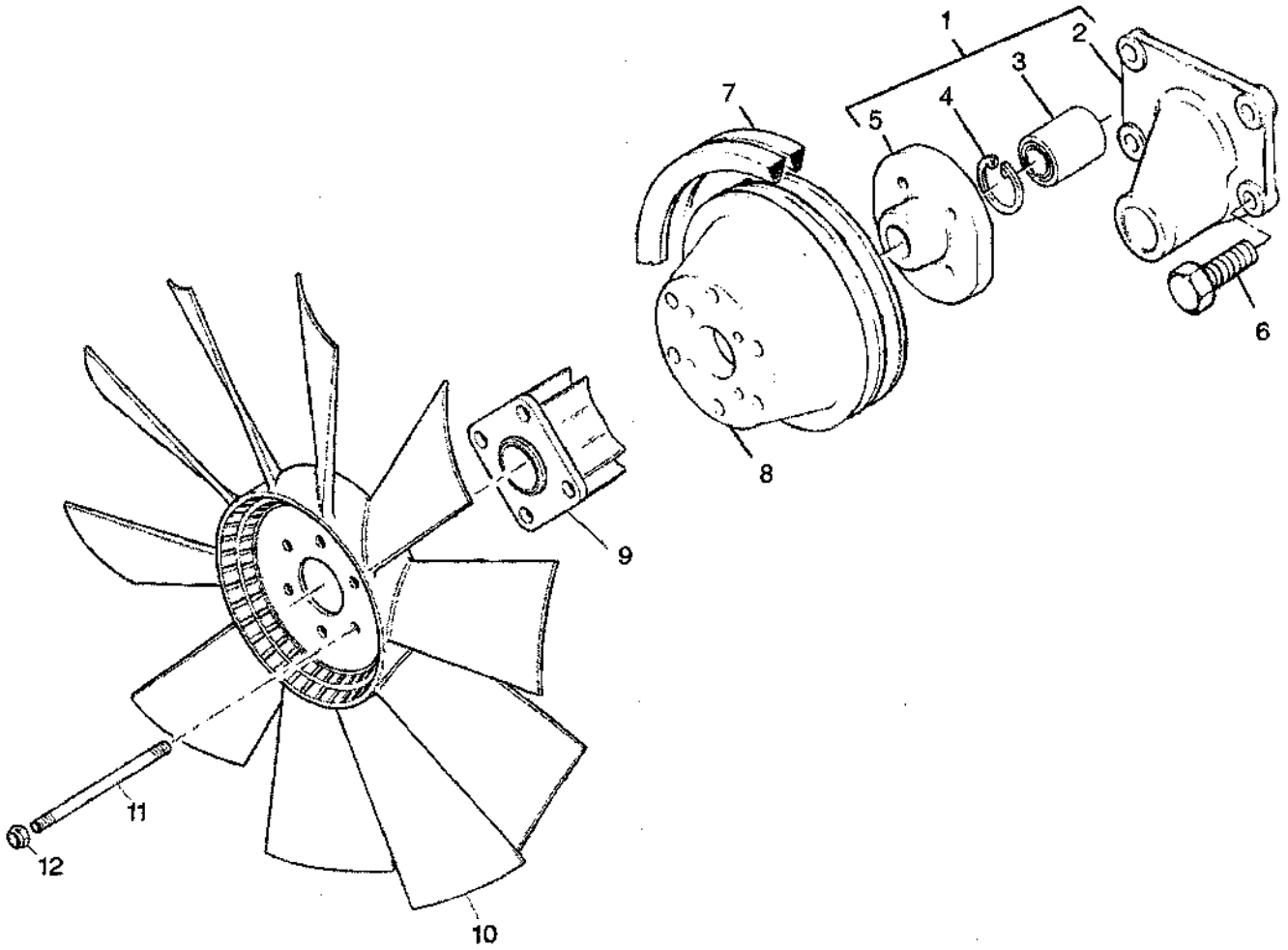


**WATER PUMP THERMOSTAT AND HEAT EXCHANGER**





<b>ITEM</b>	<b>LONG No.</b>	<b>VENDOR No.</b>	<b>DESCRIPTION</b>	<b>QTY.</b>
				<b>80</b>
1	ESL14028	U5MW0164	Water Pump Assembly (Includes Items #2-11)	1
2			Body, Water Pump (NSS)	1
3			Shaft (NSS)	1
4			Impeller (NSS)	1
5			Gear, Water Pump (NSS)	1
6			Seal (NSS)	1
7			Seal (NSS)	1
8			Seal (NSS)	1
9			Cover (NSS)	1
10			Gasket (NSS)	1
11			Screw (NSS)	6
12	ESL14048	3687Y016	Joint	1
13	ESL14029	2314H017	Screw	3
14	ESL13876	2314H034	Screw	3
15	ESL13974	2314H012	Screw	2
16	ESL14033	2314K166	Screw	1
17	ESL14034	U7LW0157	Repair Kit, Water Pump	1
18	ESL14035	3623H024	Cover	1
19	ESL14036	U3685R009	Joint	1
20	ESL13988	2314H002	Screw	3
21	ESL14038	3771K251	Housing	1
22	ESL14039	3686D007	Joint	1
23	ESL14173	2314K161	Screw	5
24	ESL14021	2314H008	Screw	3
25	ESL14044	U5MH0056	Kit, Hose (Includes Items #26-27)	1
26			Hose (NSS)	1
27	ESL14045	21825198	Clip	2
28	ESL14171	4133L017	Connection Assembly	1
29			Connection (NSS)	1
30	ESL14040	3781A503	Plug	1
31	ESL14172	2415H492	'O'Ring	1
32	ESL14046	3381J008	Ring	1
33	ESL14043	2485C036	Thermostat	1
34	ESL14047	2415A090	'O'Ring	1
35	ESL14103	2314H004	Screw	2

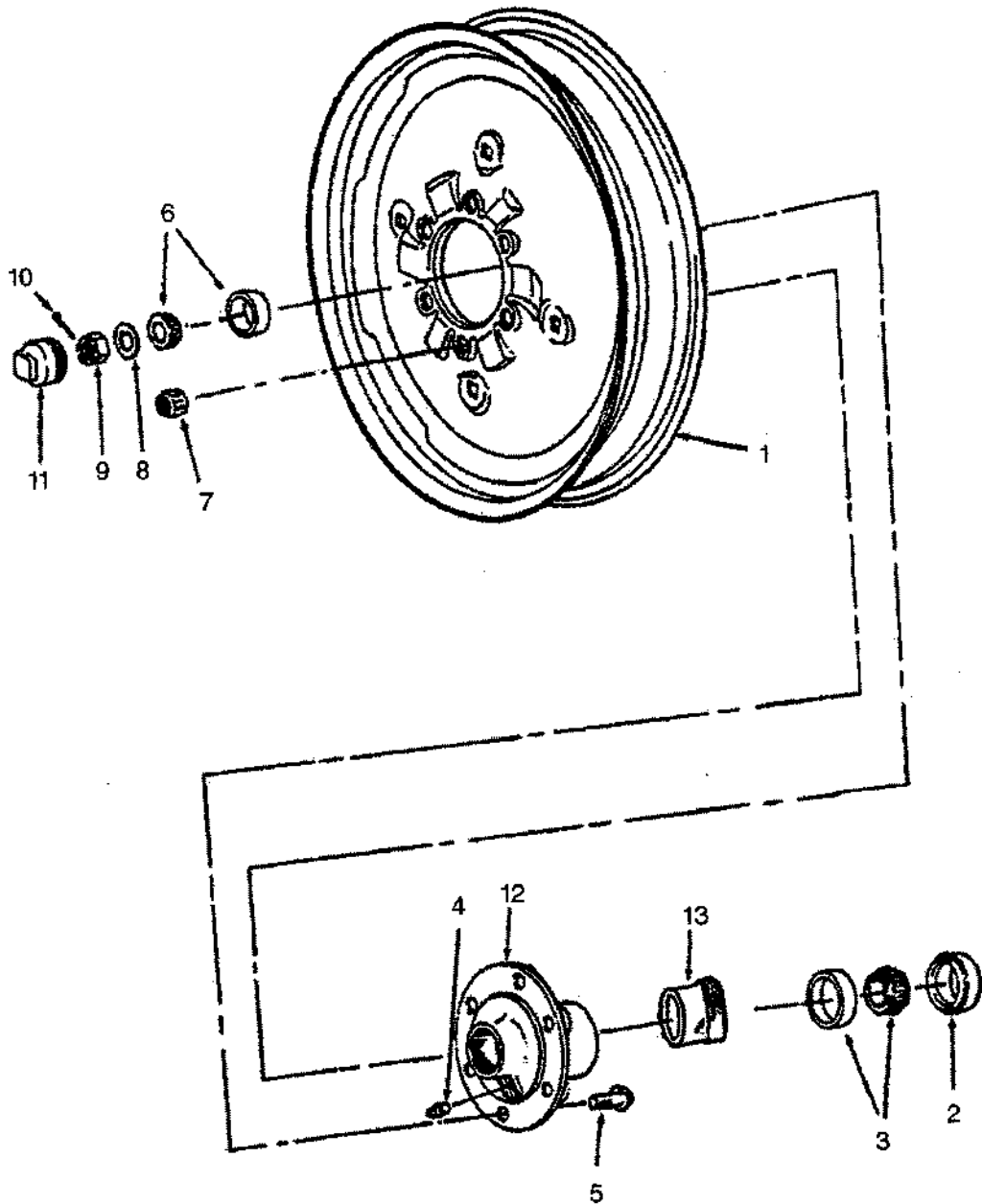




<i>ITEM</i>	<i>LONG No.</i>	<i>VENDOR No.</i>	<i>DESCRIPTION</i>	<i>QTY.</i>
				<b>80</b>
1	ESL13948	4113H073	Housing, Fan Drive (Includes Items #2-5)	1
2			Housing	1
3			Bearing	1
4			Circlip	1
5			Hub	1
6	ESL13949	2314J014	Screw	4
7	ESL13950	2614B666	Belt, Fan	1
8	ESL140793115C113		Pulley	1
9	ESL14052	3748W232	Extention	1
10	ESL14049	2485C522	Fan	1
11	ESL14050	2313H233	Stud	4
12	ESL14051	2318D208	Nut	4

# Notes

# ***FRONT END & STEERING***

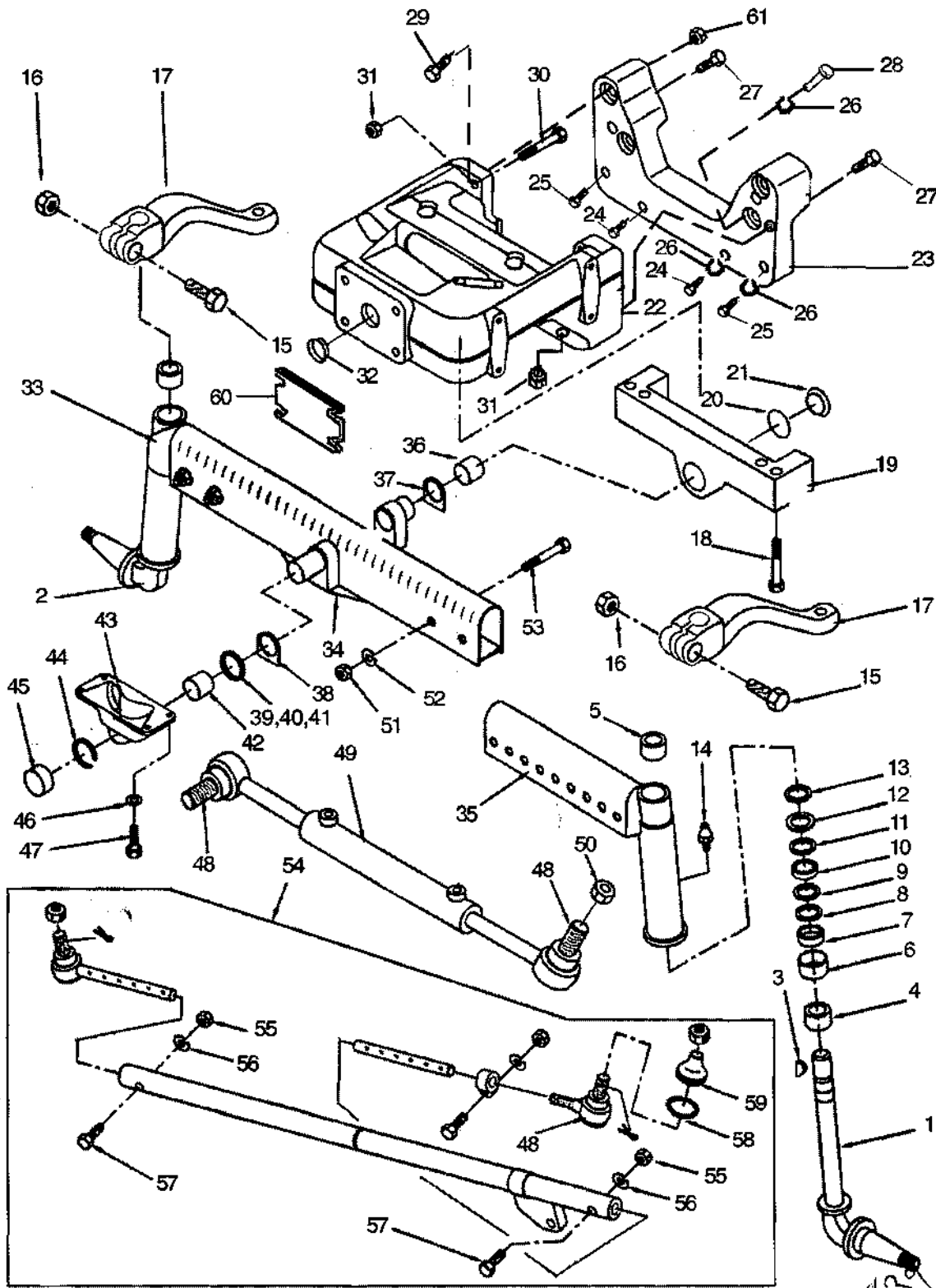


**FRONT WHEEL ASSEMBLY**



ITEM	LONG No.	VENDOR No.	DESCRIPTION	QTY.	
				70	80
1	ESL12085	25-01010-AA	Wheel Assembly, Front	2	2
2	ESL10521	91NH-1N013-AA	Seal Assembly, Front Wheel Hub Dust	2	2
3	ESL10522	88NH-1200-AA	Bearing Assembly, Front Wheel Inner	2	2
4	ESL10542	87901-S36	Grease Nipple (1/2-27)	2	2
5	ESL11747	C5NN-1107-F	Bolt, Front Wheel Hub	12	12
6	ESL10524	11-30220-AB	Bearing Assembly, Front Wheel Outer	2	2
7	ESL11793	C5NN-1012-B	Nut, Front Wheel Bolt	12	12
8	ESL11860	11-30195-AA	Washer, Hub Retainer	2	2
9	ESL12412	11-30387-AA	Nut, Slotted Hex (1"-12)	2	2
10	ESL13305	72090-S8	Pin, Cotter (5/32"-1.75)	2	2
11	ESL10526	11-30139-AA	Cap, Front Wheel Hub Grease	2	2
12	ESL10528	11-30106-AA	Hub, Front Wheel	2	2
13	ESL10529	91NH-1N014-AA	Bush, Front Wheel Hub	2	2

70/80

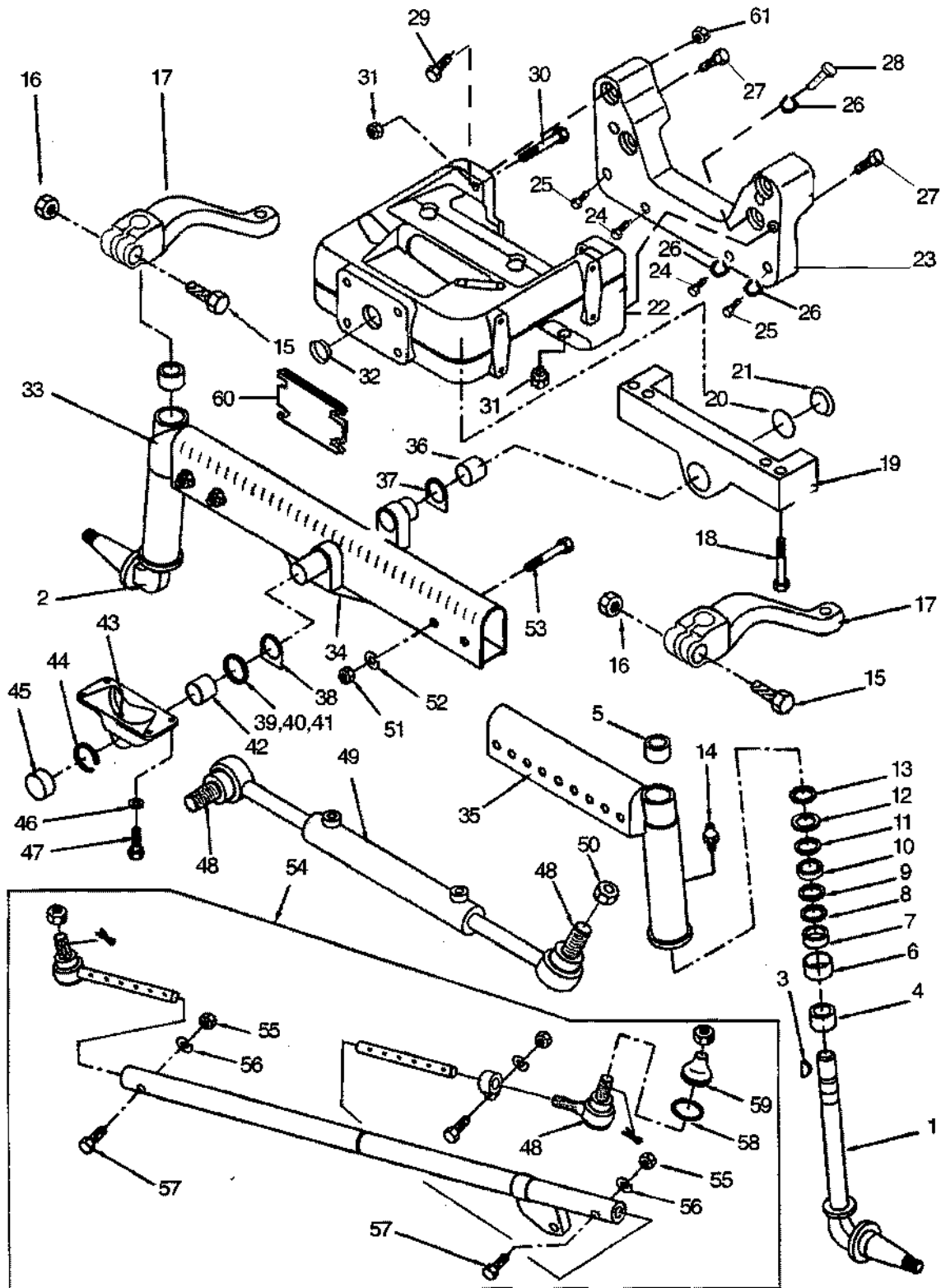


409-789-283



ITEM	LONG No.	VENDOR No.	DESCRIPTION	QTY.	
				70	80
1	Ⓢ ESL12699	25-30160-AA	Spindle Assembly, LH	1	1
2	Ⓢ ESL12698	25-30150-AA	Spindle Assembly, RH	1	1
3	ESL13304	74181-S	Key, Woodruff (1/4x7/8)	2	2
4-5	ESL10567	SPF.996.000	Spindle, Bush Set	1	1
6	Ⓢ ESL10562	93NH-3A125-DA	Seal Dust Cover, Lower	2	2
7	Ⓢ ESL10565	93NH-3A367-AA	Spacer, Spindle Front	2	2
8	Ⓢ ESL10564	93NH-3367-AA	Seal, Spindle Front	2	2
9	ESL10560	93NH-3A208-BA	Seal, Spindle, Lower	2	2
10	ESL13303	957E-3123-A	Bearing Assembly, Front Wheel Spindle	2	2
11	ESL10561	93NH-3A208-AA	Seal Upper, Spindle	2	2
12	ESL10563	93NH-3A125-AA	Seal Dust Cover, Upper	2	2
13	ESL10547	C5NN-3125-A	Seal, Spindle Pin Dust	2	2
14	ESL10542	87901-S36	Grease Nipple (1/8-27)	2	2
15	304862-S8	304862-S36	Bolt, Hex Head (7/16-14x2.25)	2	2
16	34670-S8	34670-S36	Nut, Hex (7/16-14)	2	2
17	ESL12710	25-30375-AA	Arm, Steering Spindle	2	2
18	ESL12704	25-30165-AA	Bolt, Trunion Mounting Bracket, Rear	4	4
19	ESL12703	25-30061-AE	Bracket FA Trunion, Rear	1	1
20	ESL12706	25-30062-AA	Circlip, Trunion, Rear	1	1
21	ESL12705	25-30035-AB	Plug FA .Trunion, Rear	1	1
22	ESL12700	25-30042-AF	Support, Front Axle	1	-
-	ESL12701	30-30042-AC	Support, Front Axle	-	1
23	ESL12715	30-30173-AB	Adaptor Support, Front Axle	-	1
24	ESL12716	30-30101-AA	Bolt, Hex Head (M16x2.0x75)	-	2
25	ESL12717	30-30102-AA	Bolt, Hex Head (M16x2.0x95)	-	2
26	ESL12719	N-630176-S36	Washer, Lock (M16)	-	6
27	ESL12720	30-30164-AA	Bolt, Square Head (3/4-10x5.00)	-	2
28	ESL12718	30-30103-AA	Bolt, Hex Head (M16x2.0x125)	-	2
29	58735-S8	58735S8	Bolt, Square Head (5/8-11x6.5)	-	2
30	304964-S8	304964-S36	Bolt, Hex Head (3/4-10x4.00)	4	-
31	34674-S8	34674-S36	Nut, Hex Head(3/4-10)	4	2
32	ESL10058	82835297	Plug, Dust Cover Front Axle Support	1	1
33	ESL12708	25-30020-AA	Front Axle Extension, RH	1	1
34	ESL12709	25-30011-AE	Axle Assembly, Front Center	1	1
35	ESL12707	25-30010-AA	Front Axle Extension, LH	1	1
36	ESL13306	C5NN-3A443-AA	Bush, Front Axle, Rear	1	1
37	ESL11681	C5NN-3A072-A	Washer Thrust, Rear	1	1
38	ESL11682	C5NN-3A070-A	Washer, Thrust, Front	1	1
39	ESL10615	C5NN-3N071-A	Shim	AR	AR
40	ESL10616	C5NN-3N071-B	Shim	AR	AR

**70/80**



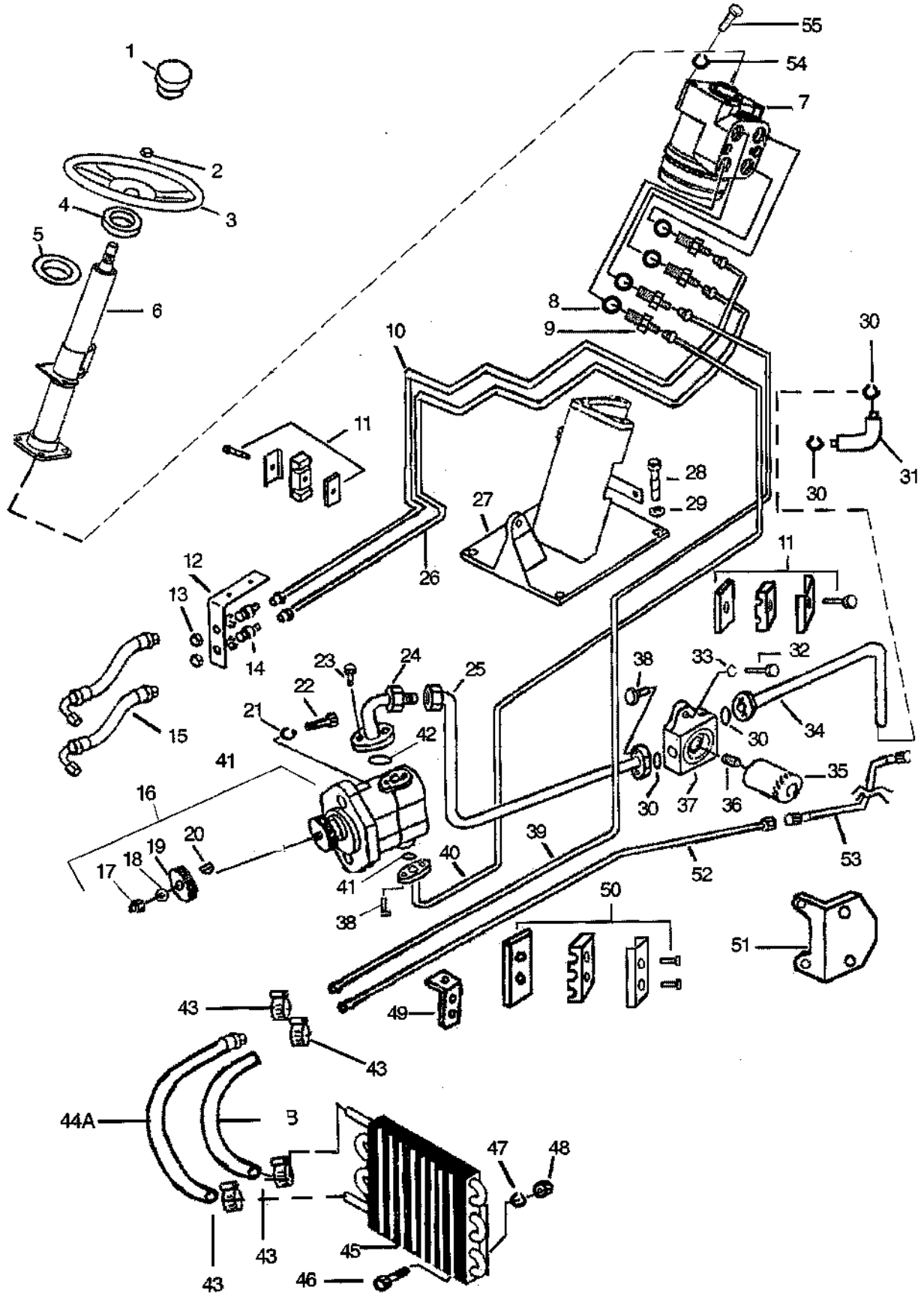


ITEM	LONG No.	VENDOR No.	DESCRIPTION	QTY.	
				70	80
41	ESL10614	C5NN-3N071-C	Shim	AR	AR
42	ESL10612	C5NN-3N052-A	Bush, Front Axle, Front	1	1
43	ESL12702	25-30051-AB	Bracket FA Trunion, Front	1	1
44	ESL10617	11-30053-AA	Circlip, Bush Retainer	1	1
45	ESL10613	C5NN-3N054-B	Plug	1	1
46	ESL11642	377490-S	Washer, Flat (1/2)	4	4
47	ESL12711	43093-S36	Bolt, Hex Head (1/2 - 13x1.50)	4	4
48	ESL10620	11-33289-AA	End Assembly	4	4
49	ESL12713	11-33540-BD	Cylinder Assembly	1	1
50	ESL11797	11-33542-AA	Nut, Lock	2	2
51	33849-S8	33849-S36	Nut, Hex (5/8"-11)	4	4
52	ESL10543	93NH-351505-AA	Spacer, Front Axle	4	4
53	ESL12712	302589-S36	Bolt (5/8"-11x4.5")	4	4
54	ESL12714	25-33280-AC	Tie Rod Assembly	1	1
55	N-620012-S8	N-620012-S36	Nut (M6)	2	2
56	N-630067-S8	N-630067-S36	Washer, Flat (M6)	2	2
57	ESL11937	N-605515-S36	Bolt, Hex Head (M6x1-12)	2	2
58	ESL12236	EXP-25001-AA	Retainer Ring, Dust Cap	2	2
59	ESL12235	EXP-25000-AA	Dust Cap, Tie Rod	2	2
60	ESL13678	906043	Front Weight Spacer	1	1
61	34991-S8	34991-S36	Nut (5/8-11)	-	2

Service Serial Numbers Breaks

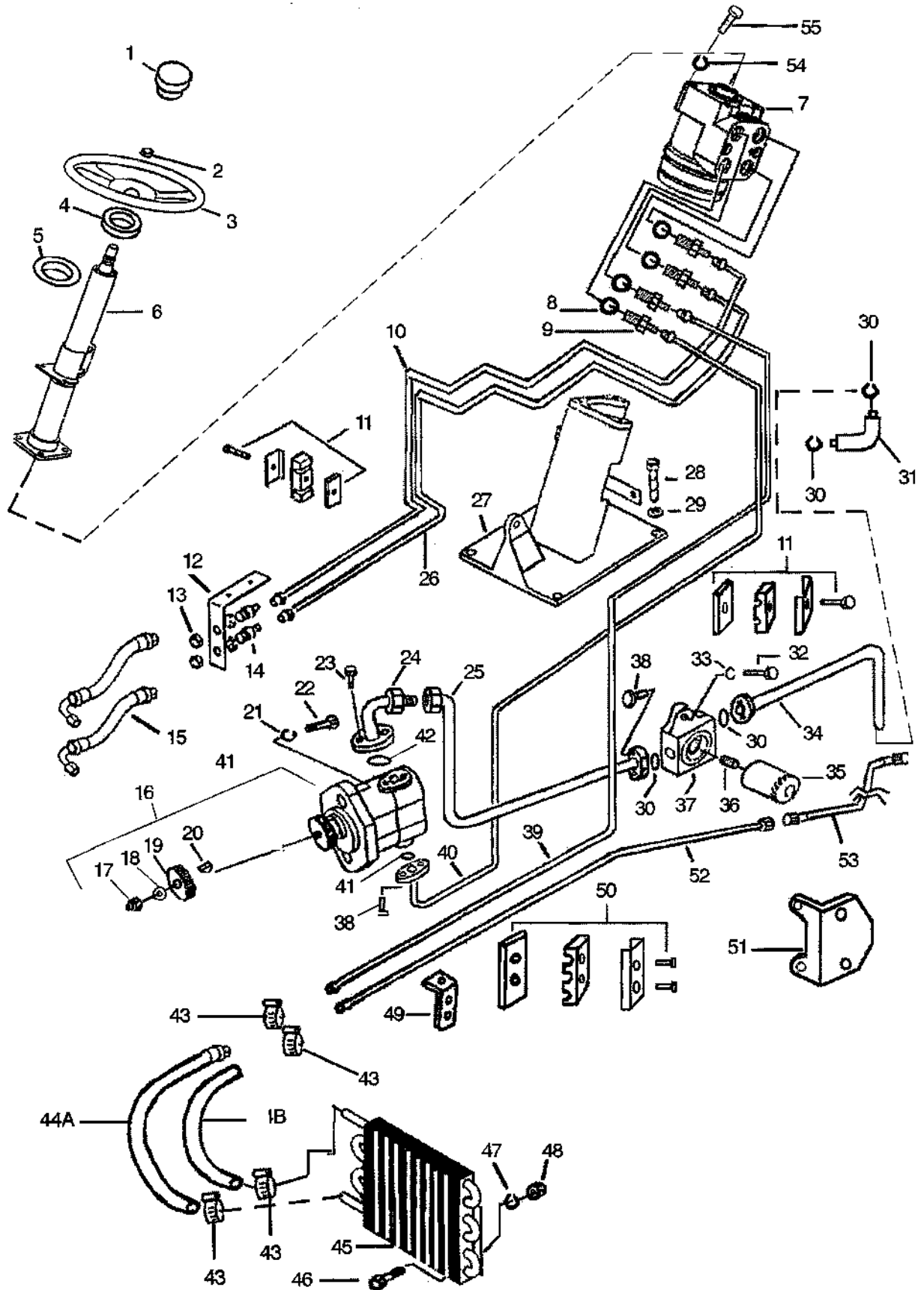
1	ESL14910	25-30160-BA	Spindle Assembly, LH	✓ 306237	1	1
2	ESL14911	25-30150-BA	Spindle Assembly, RH	✓ 306237	1	1
6	ESL14912	25-30125-AA	Seal, Dust, Cover Tower	✓ 306237	2	2
7	ESL14913	25-30367-AA	Spacer, Spindle Front	✓ 306237	2	2
8	ESL14914	25-30368-AA	O'Ring, Spacer	✓ 306237	2	2

ESL14204  
 665 Seal kit for  
 cylinder steel

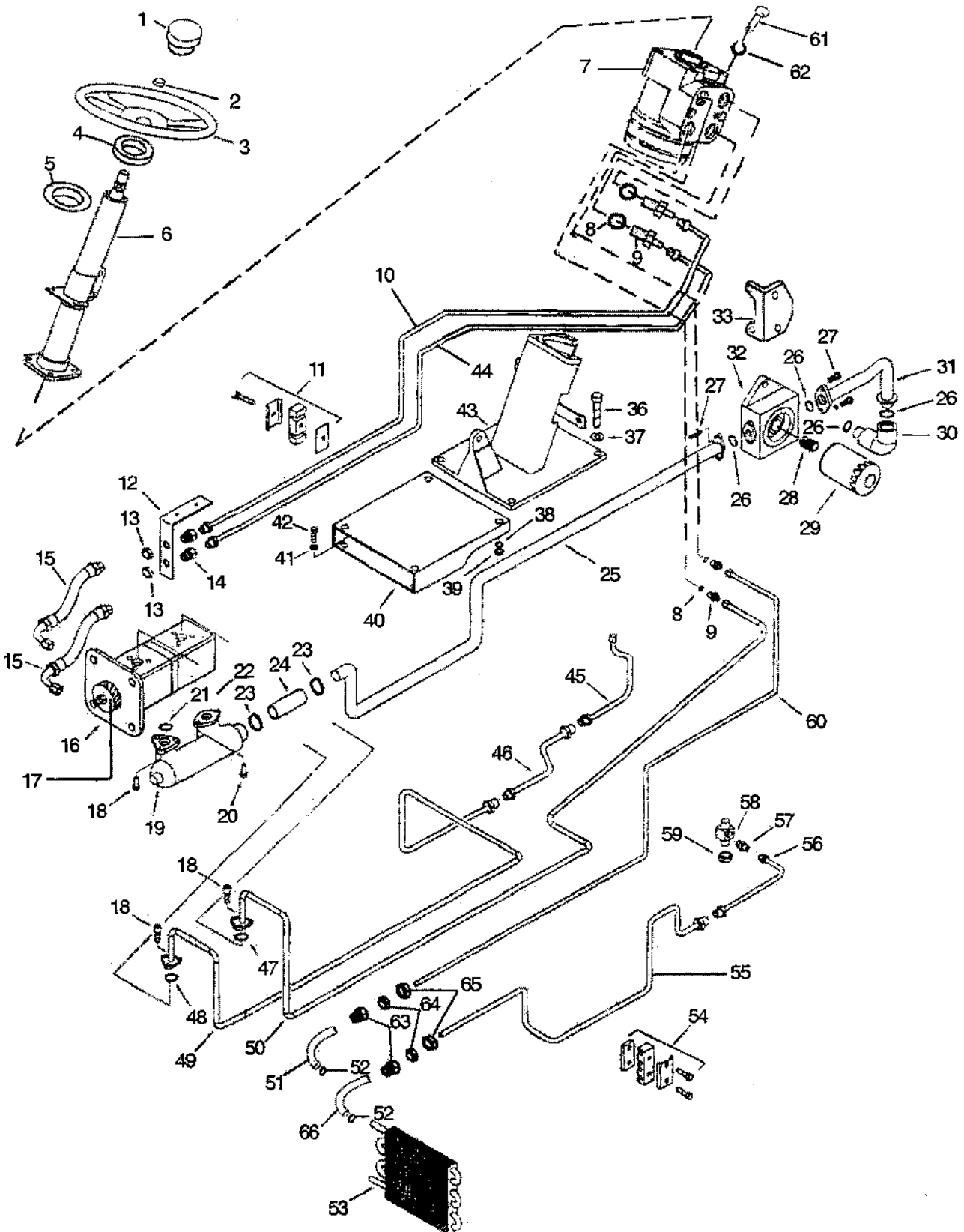


**STEERING MOTOR & PIPES - HYDROSTATIC**

<i>ITEM</i>	<i>LONG No.</i>	<i>VENDOR No.</i>	<i>DESCRIPTION</i>	<i>QTY.</i>
				<b>70</b>
1	ESL10597	C7NN-3655-B	Cap, Steering Wheel	1
2	ESL11796	D5NN-3N602-A	Nut, Steering Wheel Retainer	1
3	ESL12745	25-33360-AA	Steering Wheel	1
4	ESL10599	D8NN-3N898-AA	Seal, Steering Column Dust	1
5	ESL12422	11-33566-AA	Grommet, Steering Column Shroud	1
6	ESL12744	25-33520-BA	Steering & Column Assembly	1
7	ESL12501	13-33240-AA	Motor Assembly, Hydrostatic Steering	1
8	ESL10021	86483-S95	O'Ring	4
9	ESL12507	12-33532-AA	Adapter, Steering Motor	4
10	ESL12740	25-33450-BA	Tube Assembly, Left Turn	1
11	ESL12741	25-33587-AA	Clamp Assembly, Tubing	2
12	ESL10646	11-33546-AA	Bracket, Hydrostatic Steering	1
13	ESL13685	90NH-354228-AA	Nut, Hex Head (5/16-18)	2
14	ESL10648	86196-S36	Adapter	2
15	ESL13289	11-33590-BA	Hose Assembly, Cylinder	2
16	ESL13281	25-33560-AA	Pump Assembly Steering	1
17	ESL13728	25-33559-AA	Nut	1
18	ESL13729	25-33558-AA	Washer, Lock	1
19	ESL12722	C5NN-3A742-A	Gear, Power Steering Pump	1
20	ESL13730	25-33557-AA	Key, Woodruff	1
21	34807-S8	34807-S36	Washer, Lock (3/8)	2
22	300880-S8	300880-S36	Bolt (3/8-16x2.5)	2
23	ESL12725	30-06268-AA	Socket Head Screw (M6x1.00x20)	2
24	ESL12727	25-33390-AA	Tube Assembly, Steering Pump Inlet	1
25	ESL12726	25-05190-BA	Tube Assembly, Filter to Steering Pump	1
26	ESL12739	25-33430-BA	Tube Assembly, Right Turn	1
27	ESL12746	25-33519-AA	Bracket, Steering Gear Mounting	1
28	ESL11751	C5NN-3C765-A	Bolt	4
29	ESL12018	34809-S36	Washer, Lock (1/2)	4
30	ESL12729	87059-S94	O'Ring	3
31	ESL12749	25-05170-AA	Elbow	1
32	ESL12653	N-601796-S36	Bolt (M12-1.75x25)	2
33	N-630070-S8	N-630070-S36	Washer (M12)	2
34	ESL13301	25-05110-AB	Tube Assembly, Housing to Filter	1
35	ESL11255	D6NN-B486-A	Filter Assembly Hydraulic Oil	1
36	ESL13284	77NH-H972-A	Adapter	1
37	ESL12728	25-05105-AC	Adapter, Hydraulic Oil Filter	1
38	ESL12724	N-605518-S36	Bolt (M6x1.00x20)	6
39	ESL12738	25-33410-BA	Tube Assembly to Cooler	1
40	ESL12723	25-33400-BA	Tube Assembly, Pump to Steering Unit	1



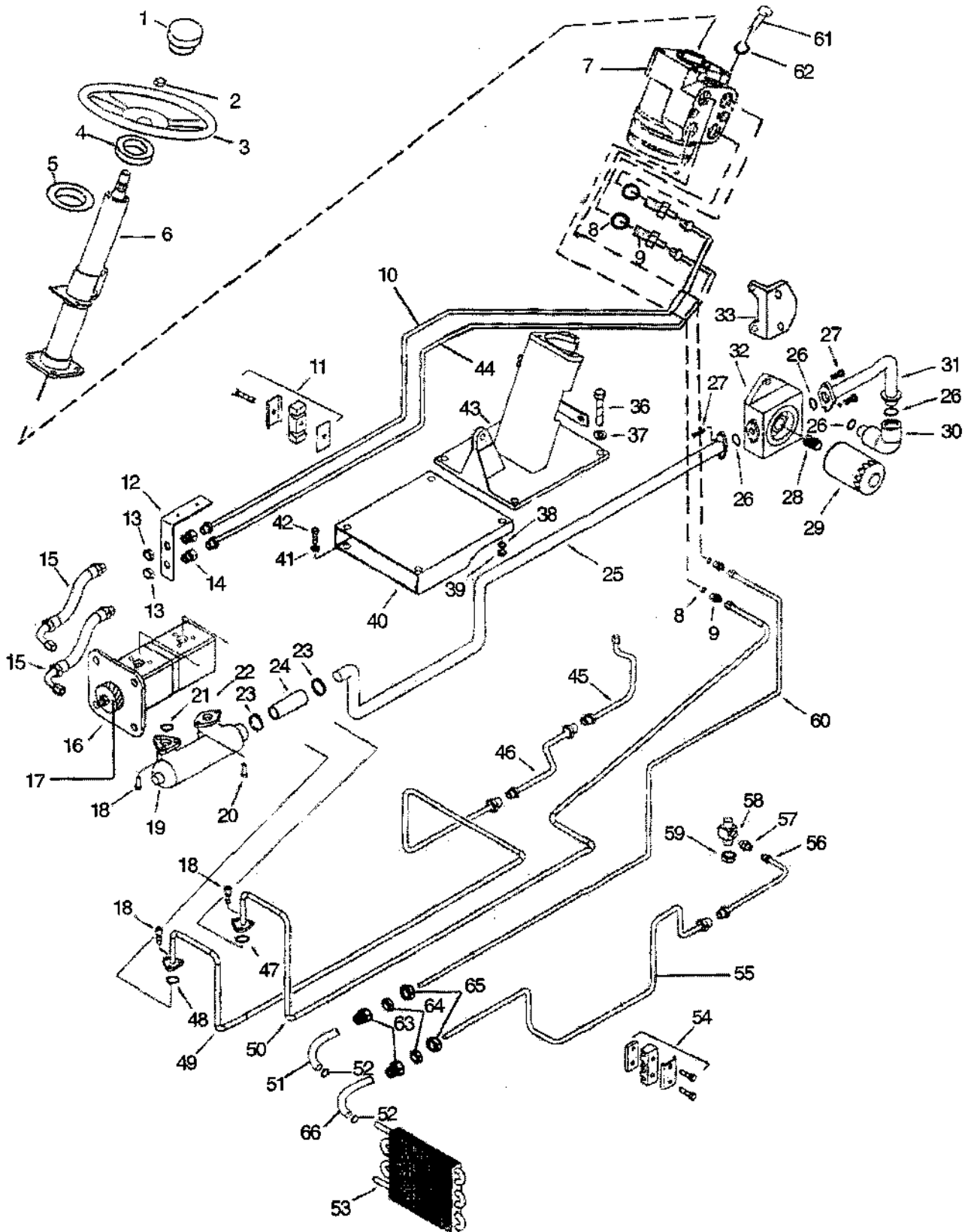
<i>ITEM</i>	<i>LONG No.</i>	<i>VENDOR No.</i>	<i>DESCRIPTION</i>	<i>QTY.</i>
				<b>70</b>
41	ESL10085	87035-S95	'O'Ring	1
42	87039-S8	87039-S95	'O'Ring	1
43	ESL10298	73NH-9N279-A	Clamp Assembly	4
44A	906212		H-06-400-6A-H-40-00	1
44B	906211		H-06-400-6A-H-44-00	1
45	ESL13302	25-31050-BB	Cooler Assembly Hydraulic	1
46	304650-S8	304650-S36	Bolt (3/8-16x0.75)	2
47	34807-S8	34807-S36	Washer, Lock	2
48	ESL12017	33799-S36	Nut, Hex Head (3/8x16)	2
49	ESL13282	25-33585-BC	Bracket, Tubing Power Steering	2
50	ESL12524	25-33586-AA	Clamp Assembly, Tubing Power Steering	2
51	ESL12732	25-05160-BA	Bracket, Adapter Mounting	1
52	ESL12736	25-33470-BA	Tube Assembly Return from Cooler	1
53	ESL12737	25-33480-AB	Extension, Tube Assembly Return	1
54	630174-S8	630174-S36	Washer, Lock (M10)	3
55	N-605548-S8	N-605548-S36	Bolt (M10x1.5x40)	3



**PUMP HYDRAULIC - STEERING & MOTOR**



<b>ITEM</b>	<b>LONG No.</b>	<b>VENDOR No.</b>	<b>DESCRIPTION</b>	<b>QTY.</b>
				<b>80</b>
1	ESL10597	C7NN-3665-B	Cap, Steering Wheel	1
2	ESL11796	D5NN-3N602-A	Nut, Steering Wheel Retainer	1
3	ESL12745	25-33360-AA	Steering Wheel	1
4	ESL10599	D8NN-3N898-AA	Seal, Steering Column Dust	1
5	ESL12422	11-33566-AA	Grommet, Steering Column Shroud	1
6	ESL12744	25-33520-BA	Steering & Column Assembly	1
7	ESL12501	13-33240-AA	Motor Assembly, Hydrostatic Steering	1
8	ESL10021	86483-S95	O'Ring	4
9	ESL12507	12-33532-AA	Adapter	4
10	ESL12763	30-33450-AA	Tube Assembly, Left Turn	1
11	ESL12741	25-33587-AA	Clamp Assembly Tubing	1
12	ESL12764	30-33546-AA	Bracket, Hydrostatic Steering	1
13	ESL13685	90NH-354228-AA	Nut, Hex Head (5/16-18)	2
14	ESL10648	86196-S36	Adapter	2
15	ESL13289	11-33590-BA	Hose Assembly, Cylinder	2
16	ESL12750	30-06600-BA	Pump Assembly, Hydraulic	1
17	ESL12769	30-06601-AA	Gear Hydraulic Pump Drive	1
18	ESL12759	30-06269-AA	Bolt, Socket Head (M6x1.0x45)	9
19	ESL12753	30-06270-BA	Junction Box, Inlet	1
20	ESL12725	30-06268-AA	Bolt, Socket Head (M6x1.0x20)	2
21	ESL12751	87040-S94	O'Ring	1
22	ESL12752	87017-S94	O'Ring	1
23	ESL10495	74NH-8287-A	Clamp	2
24	ESL12754	30-06271-AB	Hose, Junction Box	1
25	ESL12755	30-05190-BA	Tube Assembly, Filter to Pump	1
26	ESL13280	87059-S96	O'Ring	2
27	ESL12724	N-605518-S36	Bolt (M6x1.0x20)	4
28	ESL13284	77NH-H972-A	Adapter	1
29	ESL11255	D6NN-B486-A	Filter Assembly, Hydraulic Oil	1
30	ESL12749	25-05170-AA	Elbow	1
31	ESL13301	25-05110-AC	Tube Assembly, Housing to Filter Inlet	1
32	ESL12728	25-05105-AC	Adapter, Hydraulic Oil Filter	1
33	ESL12732	25-05160-BA	Bracket, Adapter Hydrostatic Filter Mounting	1
34	ESL12653	N-601796-S36	Bolt, Hex (M12-1.75x25)	2
35	N-630070-S8	N-630070-S36	Washer (M12)	2
36	58676-S8	58676-S36	Bolt (1/2x30x1.75)	4
37	337490-S8	337490-S36	Washer, Flat (1/2)	4
38	ESL12018	34809-S36	Washer, Lock (1/2)	4
39	33845-S8	33845-S36	Nut (1/2x30)	4
40	ESL12767	30-33005-AE	Bracket, Steering Mounting Extension	1



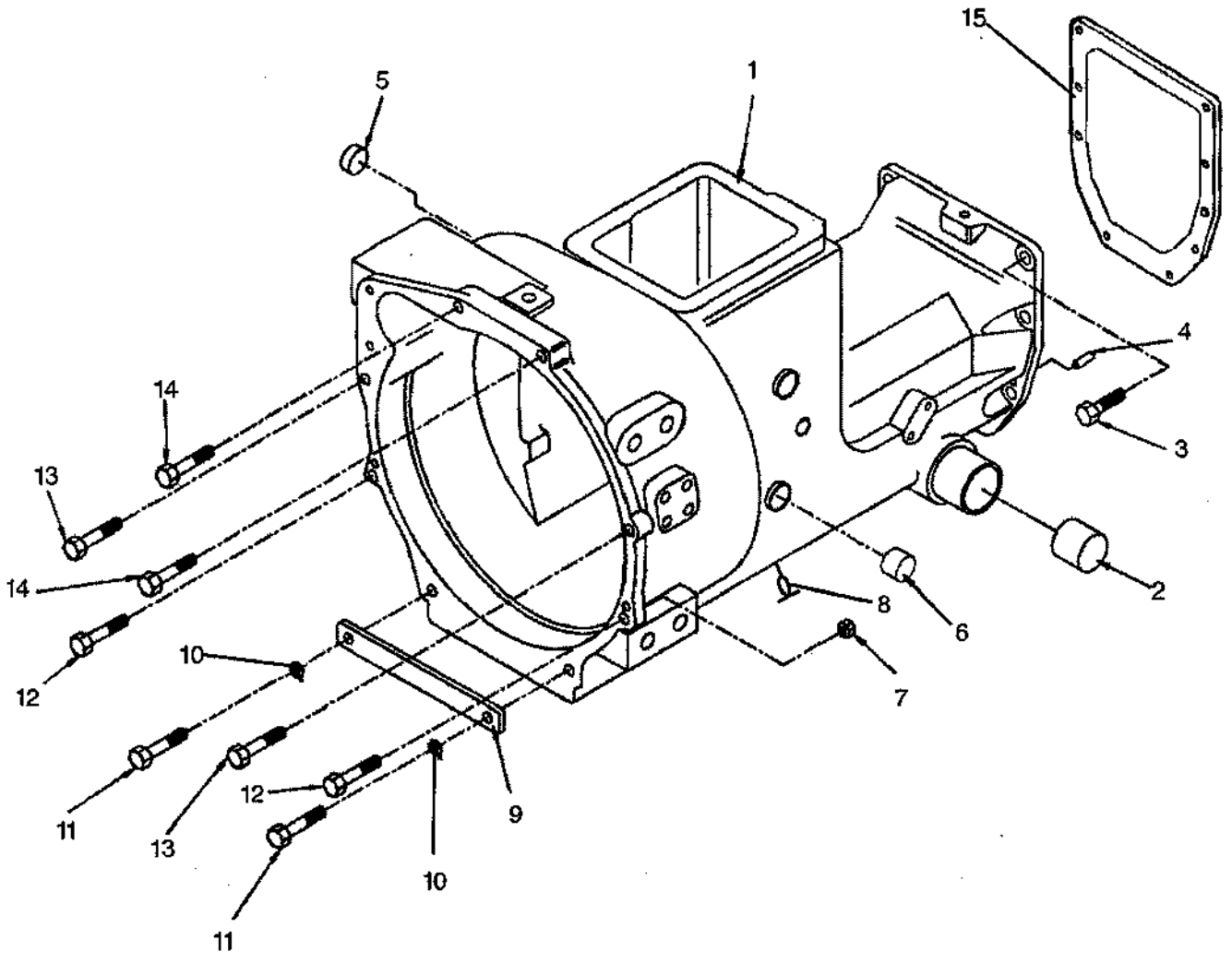
**PUMP HYDRAULIC - STEERING & MOTOR**



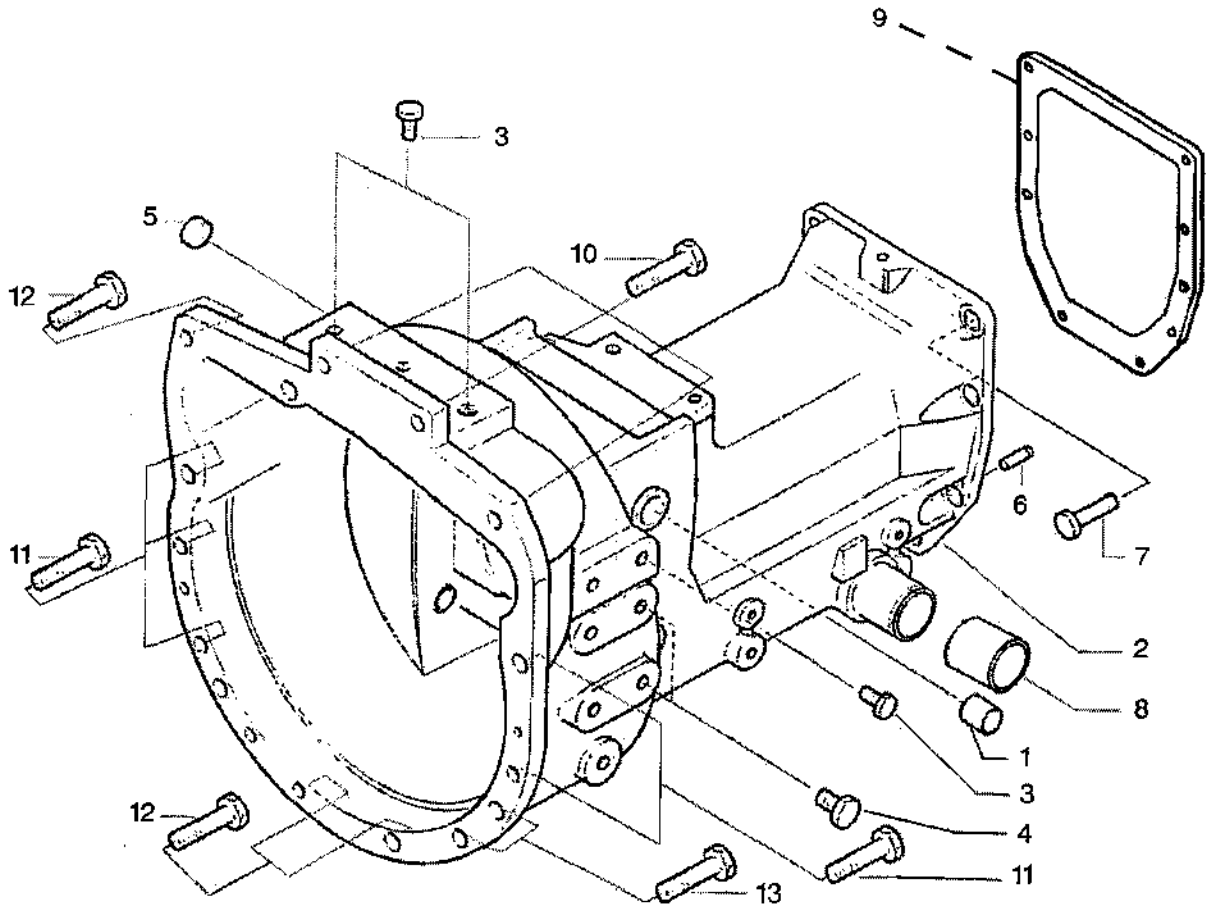
<b>ITEM</b>	<b>LONG No.</b>	<b>VENDOR No.</b>	<b>DESCRIPTION</b>	<b>QTY.</b>
				<b>80</b>
41	N-630187-S8	N-630187-S36	Washer, Flat (M14)	4
42	N-601807-S8	N-601807-S36	Bolt, Hex Head (M14)	4
43	ESL12766	30-33519-AA	Bracket, Steering Gear Mounting	1
44	ESL12762	30-33430-AA	Tube Assembly, Right Turn	1
45	ESL12758	25-96065-CA	Tube Assembly, Spool Valve	1
46	ESL12757	25-05160-AA	Tube Assembly, Tap Off	1
47	ESL10901	87035-S94	O'Ring	1
48	ESL13279	87039-S94	O'Ring	1
49	ESL12756	30-05140-BA	Tube Assembly, Pump Outlet Main	1
50	ESL12760	30-33400-BA	Tube Assembly, Pump To Steering Motor	1
51	ESL12735	25-31051-AA	Hose, Oil Cooler Return	2
52	ESL10298	73NH-9N279-A	Clamp Assembly	4
53	ESL13302	25-31050-BC	Cooler Assembly, Hydraulic	1
54	ESL12768	30-33586-AA	Bracket Assembly, Tubing Power Steering	2
55	ESL12765	30-33470-AA	Tube Assembly, Return from Cooler	1
56	ESL12737	25-33480-AB	Extension, Tube Assembly Return	1
57	ESL11257	86301-S36	Adapter	1
58	ESL12747	25-96041-AA	Adapter	1
59	ESL12748	25-96042-AA	Nut, Lock	1
60	ESL12761	30-33410-BA	Tube Assembly, Steering Motor to Cooler	1
61	N-605548-S8	N-605548-S36	Bolt, Hex (M10-1.5x40)	4
62	N-630174-S8	N-630174-S36	Washer, Lock (M10)	4
63	906195		Adapter	2
64	906207		Ring	2
65	906208		Nut	2
66	906211		Hose Oil Cooler Return	1

# Notes

# ***CLUTCH***

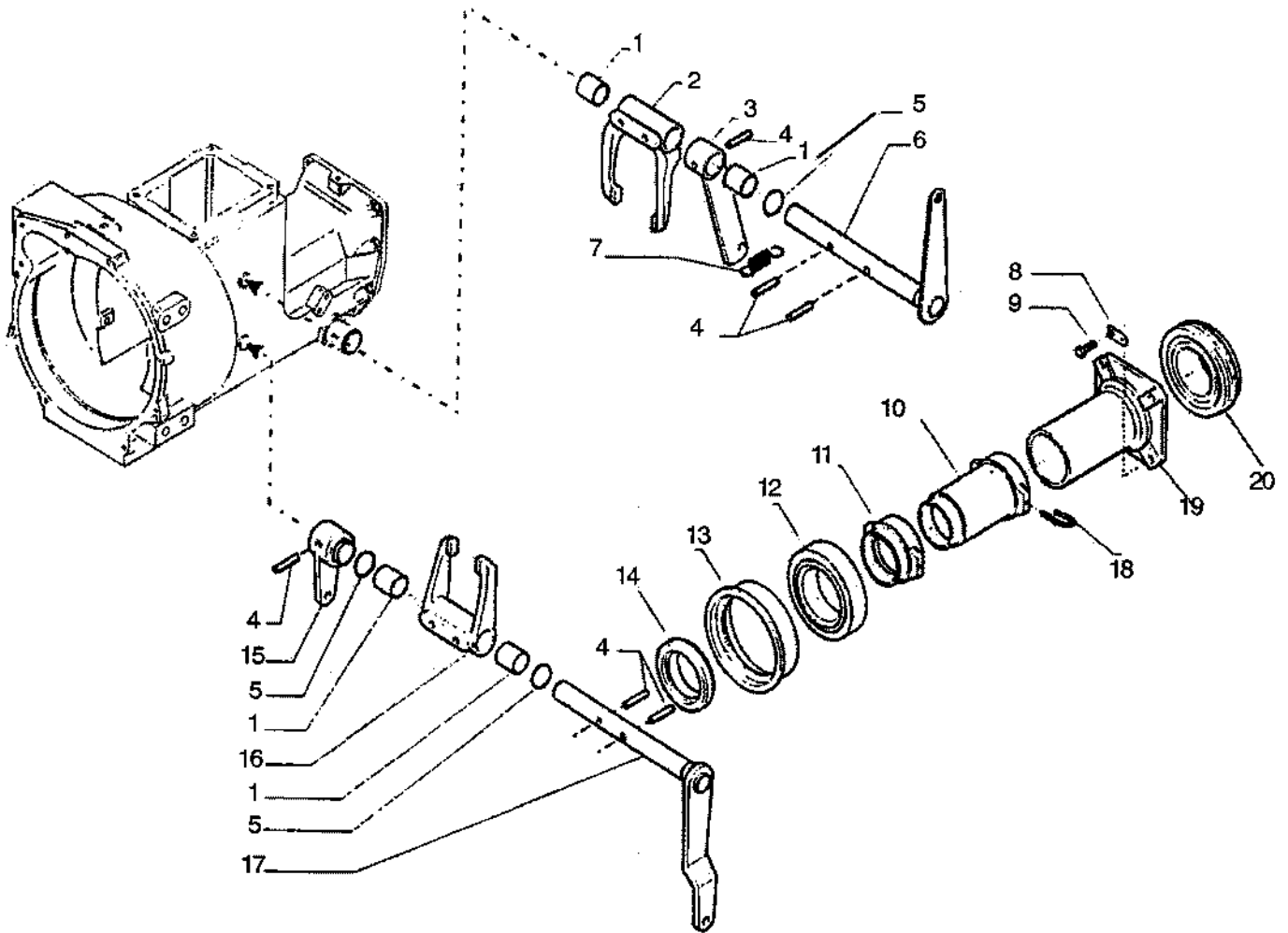


<i>ITEM</i>	<i>LONG No.</i>	<i>VENDOR No.</i>	<i>DESCRIPTION</i>	<i>QTY.</i>
				<b>70</b>
1	ESL12770	25-70060-AM	Housing Kit (Includes Items 2,5,6)	1
2	ESL10668	SPF.987.000	Bush Set, Brake Pedal Shaft	1
3	ESL12771	N-605573-S	Bolt (M14x2.0x40)	8
4	ESL12772	25-70304-AA	Dowel Pin	2
5	ESL12773	25-75505-AA	Plug Cup	1
6	ESL12774	25-70615-AA	Bush Clutch Shaft	4
7	33849-S8	33849-S36	Nut, Hex (5/8-11)	2
8	ESL13305	72090-S8	Pin, Cotter, Drain Hole	1
9	ESL13312	11-70011-AA	Stiffner, Engine Rear Cover Plate	1
10	34792-S8	34792-S36	Washer, Lock (3/8)	2
11	304722-S8	304722-S36	Bolt, Hex (3/8-16x1.25)	2
12	304955-S8	304955-S36	Bolt, Hex (5/8-11x3.75)	2
13	304883-S8	304883-S36	Bolt, Hex (5/8-11x2.375)	2
14	304912-S8	304912-S36	Bolt, Hex (3/4-16x2.75)	2
15	ESL12775	25-40507-AA	Gasket, Clutch Housing to Transmission	1



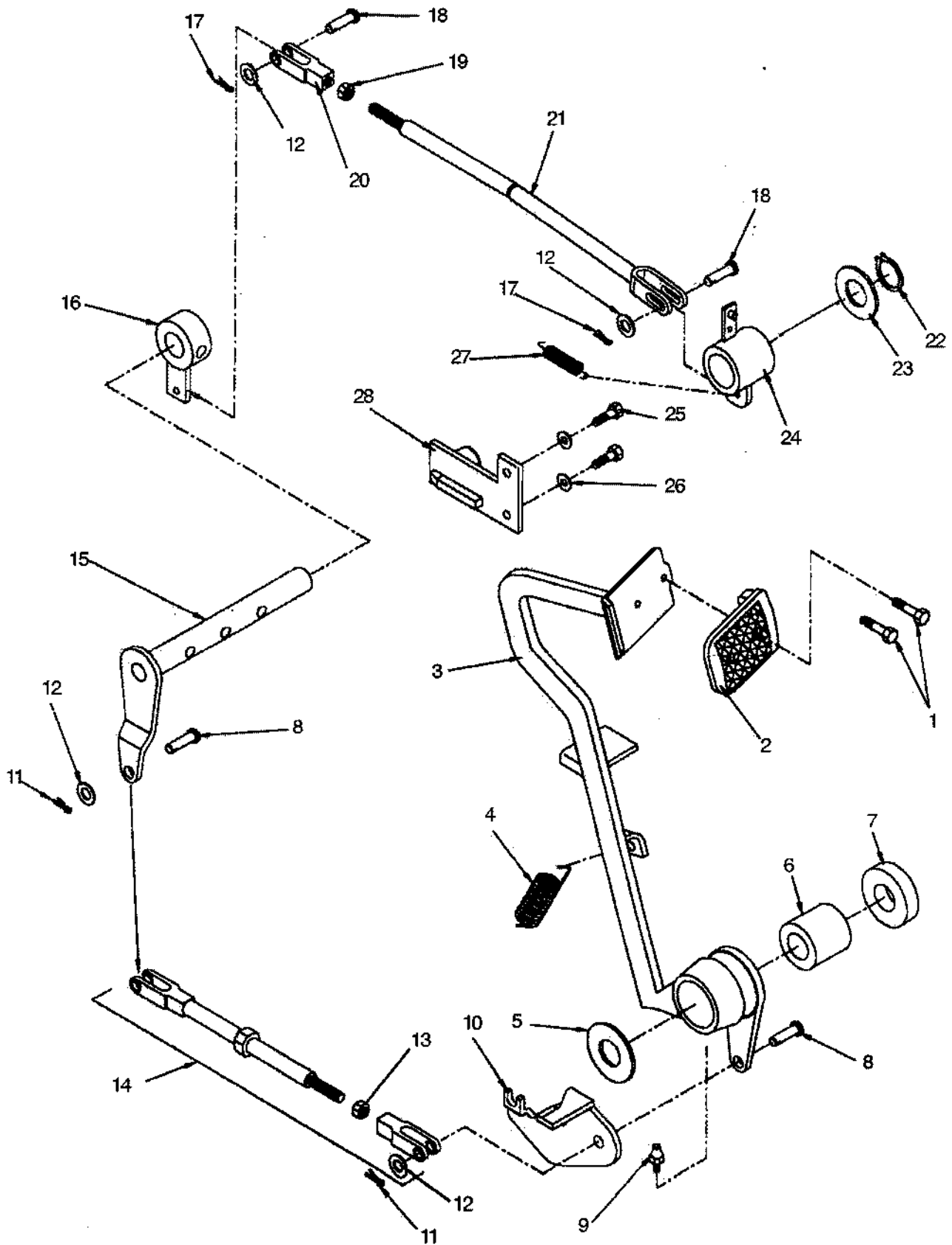


<i>ITEM</i>	<i>LONG No.</i>	<i>VENDOR No.</i>	<i>DESCRIPTION</i>	<i>QTY.</i>
				<b>80</b>
1	ESL12774	25-70615-AA	Bush, Clutch Shaft	4
2	ESL13408	30-70060-AA	Housing Kit (Includes Items #1,5,8)	1
3	N-601805-S8	N-601805-S36	Bolt (M14x20)	7
4	ESL13692	25-93481-AA	Bolt (M16x35)	8
5	ESL12773	25-75505-AA	Plug Cup	2
6	ESL12772	25-70304-AA	Dowel Pin	2
7	N-605574-S	N-605574-S	Bolt (M14x2.0x45)	8
8	ESL13287	30-75564-AB	Bush, Brake Shaft	2
9	ESL12775	25-40507-AA	Gasket, Clutch Housing to Transmission	1
10	E-602230-S8	E-602230-S36	Bolt (M12x1.75x35)	3
11	N-600417-S8	N-600417-S36	Bolt (M12x1.75x60)	5
12	N-600415-S8	N-600415-S36	Bolt (M12x1.75x50)	3
13	N-600420-S8	N-600420-S36	Bolt (M12x1.75x75)	4

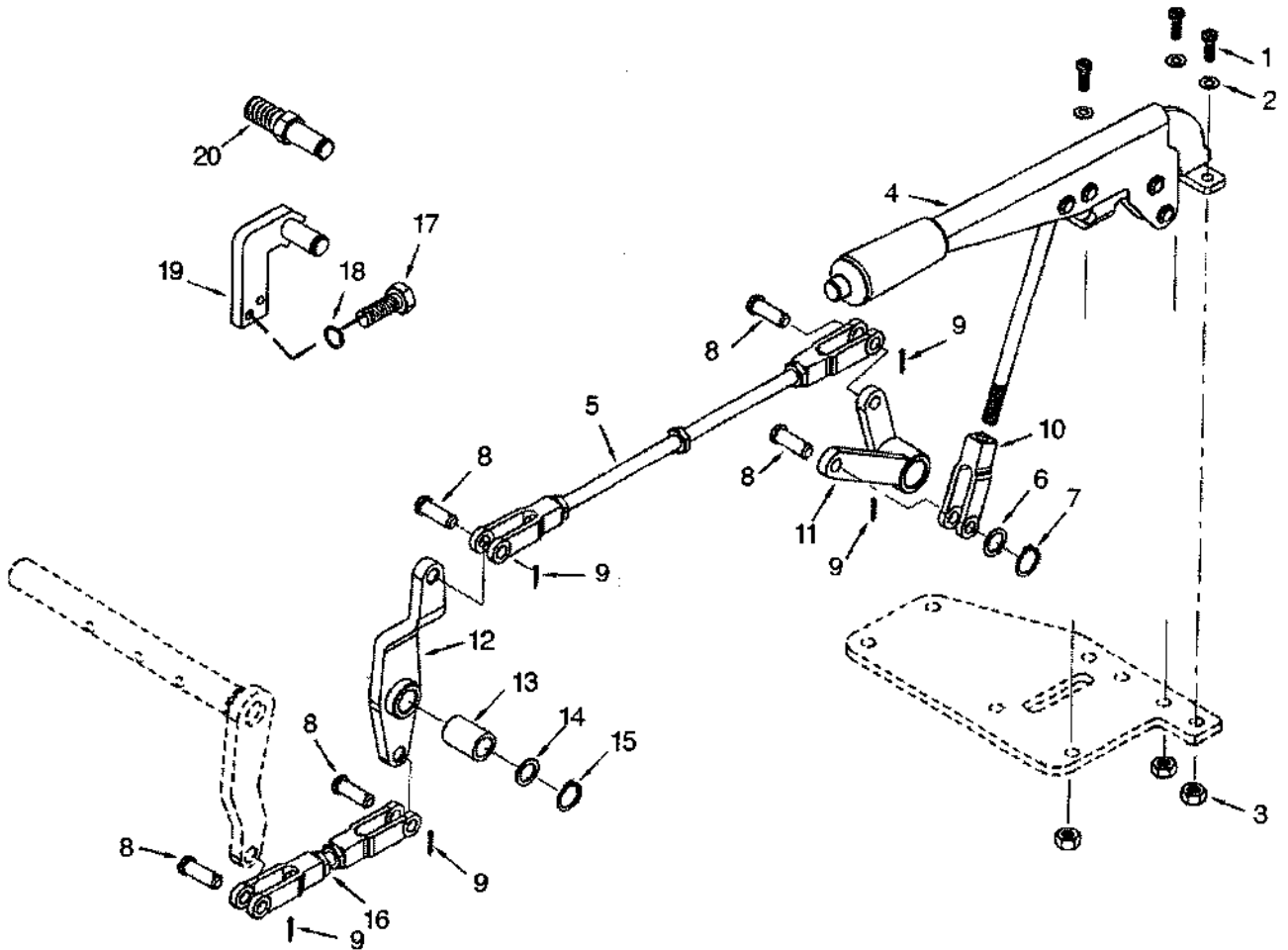




ITEM	LONG No.	VENDOR No.	DESCRIPTION	QTY.	
				70	80
1	ESL12774	25-70615-AA	Bush Clutch Shaft	4	4
2	ESL12776	25-75516-AA	Fork PTO	1	1
3	ESL12777	25-75110-AA	Lever Assembly PTO Clutch	1	1
4	ESL12778	N-646689-S	Pin	4	4
5	ESL12779	25-75502-AA	O'Ring	3	3
6	ESL12780	25-75190-CB	Shaft & Lever Assembly, PTO Clutch	1	1
7	ESL12781	25-75105-AA	Spring Clutch Return, PTO	1	1
8	ESL12782	25-75106-AA	Plate, Spring Retaining	1	1
9	E-602189-S8	E-602189-S36	Bolt	4	4
10	ESL12783	25-75571-AA	Hub, Clutch Release PTO	1	1
11	ESL12784	25-75575-AA	Hub, Clutch Release	1	1
12	ESL12785	25-75590-AA	Bearing, Clutch Release	1	1
13	ESL12786	25-75585-AA	Sleeve	1	1
14	ESL12787	25-75580-AA	Bearing, Clutch Release PTO	1	1
15	ESL12788	26-70142-AA	Lever	1	1
16	ESL12789	25-75515-AA	Fork Clutch Release	1	1
17	ESL12790	25-75520-AA	Shaft & Lever Assembly Clutch	1	-
-	ESL12791	30-75520-BA	Shaft & Lever Assembly Clutch	-	1
18	ESL12792	25-75107-AA	Spring	4	4
19	ESL12793	25-75125-AA	Retainer, Clutch Release	1	-
-	ESL12794	30-75125-AA	Retainer, Clutch Release	-	1
20	ESL12795	25-71700-AA	Bearing Assembly, Input Shaft	1	1

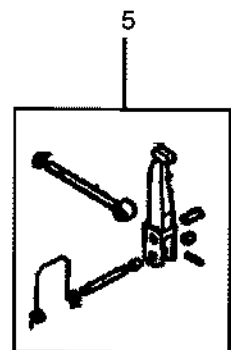
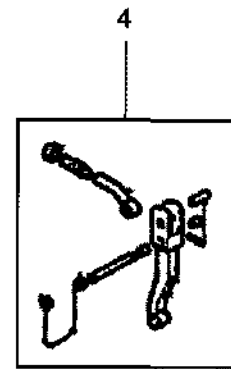
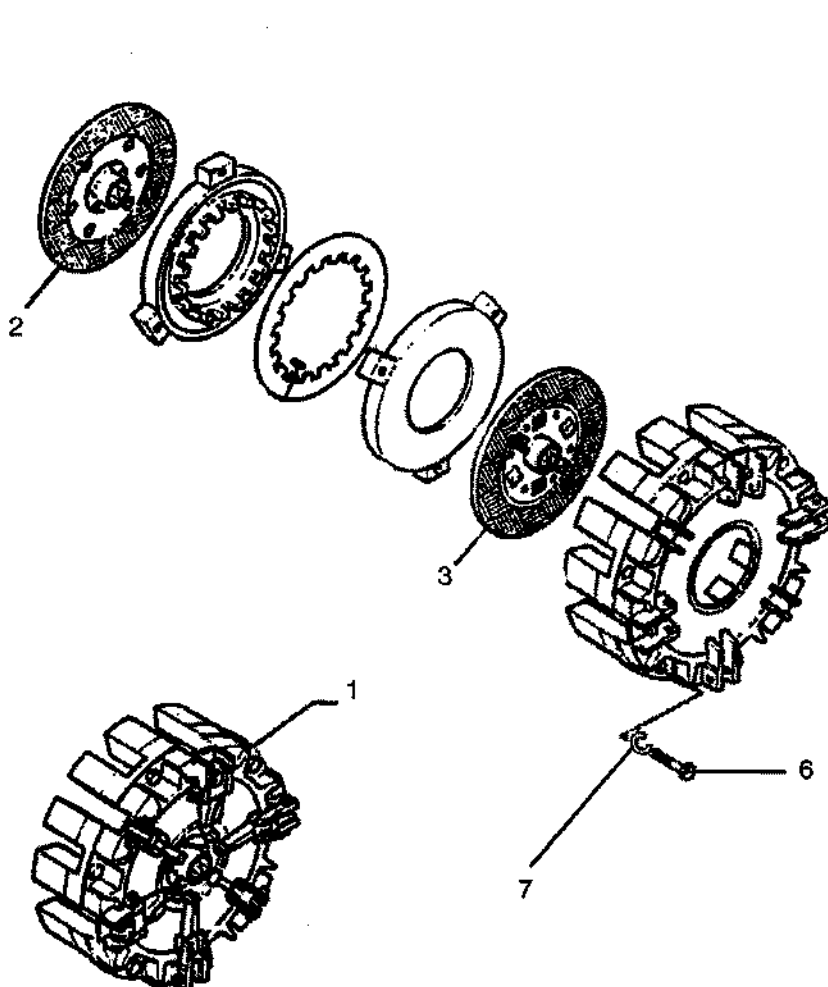


ITEM	LONG No.	VENDOR No.	DESCRIPTION	QTY.	
				70	80
1	N-600212-S8	N-600212-S36	Bolt	2	2
2	ESL12798	25-75130-BA	Pad Assembly, Clutch	1	1
3	ESL13285	25-75560-DB	Pedal Assembly, Clutch	1	-
-	ESL13286	30-75560-BC	Pedal Assembly, Clutch	-	1
4	ESL10663	C7NN-7N598-A	Spring	1	-
-	ESL12799	30-75598-AA	Spring	-	1
5	ESL11700	C5NN-2N547-B	Washer	1	-
-	ESL13409	30-75135-BA	Washer	-	1
6	ESL12811	30-75564-BA	Bush Clutch Pedal	-	1
-	ESL13318	C5NN-7A578-A	Bush Clutch Pedal	1	-
7	ESL11700	C5NN-2N547-B	Washer	1	-
-	ESL13409	30-75135-BA	Washer	-	1
8	73919-S8	73919-S36	Pin, Clevis (3/8x1.4)	2	2
9	ESL10654	87907-S8	Grease Nipple	1	1
10	ESL13410	25-75517-AA	Bracket Clutch Pedal Spring	1	-
11	72017-S8	72017-S8	Pin, Cotter (1/8x0.75)	2	2
12	44728-S8	44728-S36	Washer, Flat (3/8)	4	4
13	33925-S8	33925-S36	Nut (3/8-24)	1	1
14	ESL12800	25-75081-AB	Rod & Clevis Assembly	1	-
-	ESL12801	30-75081-AA	Rod & Clevis Assembly	-	1
15	ESL12790	25-75520-AA	Shaft & Lever Assembly, Clutch	1	-
-	ESL12791	30-75520-BA	Shaft & Lever Assembly, Clutch	-	1
16	ESL12788	26-70142-AA	Lever F & R	1	1
17	ESL12805	N-642567-S8	Pin Cotter	2	2
18	ESL12804	N-642831-S8	Pin Clevis	2	2
19	N-620042-S8	N-620042-S36	Nut (M10)	1	1
20	N-662423-S8	N-662423-S8	Clevis (M10)	1	1
21	ESL12802	25-70323-AA	Rod & Clevis Assembly	1	-
-	ESL12803	30-70323-AA	Rod & Clevis Assembly	-	1
22	ESL12808	N-661211-S	Circlip	1	1
23	ESL12807	25-44125-AA	Washer	1	1
24	ESL12806	25-70321-AA	Lever & Hub Assembly	1	1
25	ESL12653	N-601796-S36	Bolt (M12x1.75x25)	2	2
26	N-630070-S8	N-630070-S36	Washer, Lock (M12)	2	2
27	ESL12809	25-70324-AA	Spring	1	1
28	ESL12810	25-70322-AA	Bracket Assembly Pivot	1	1



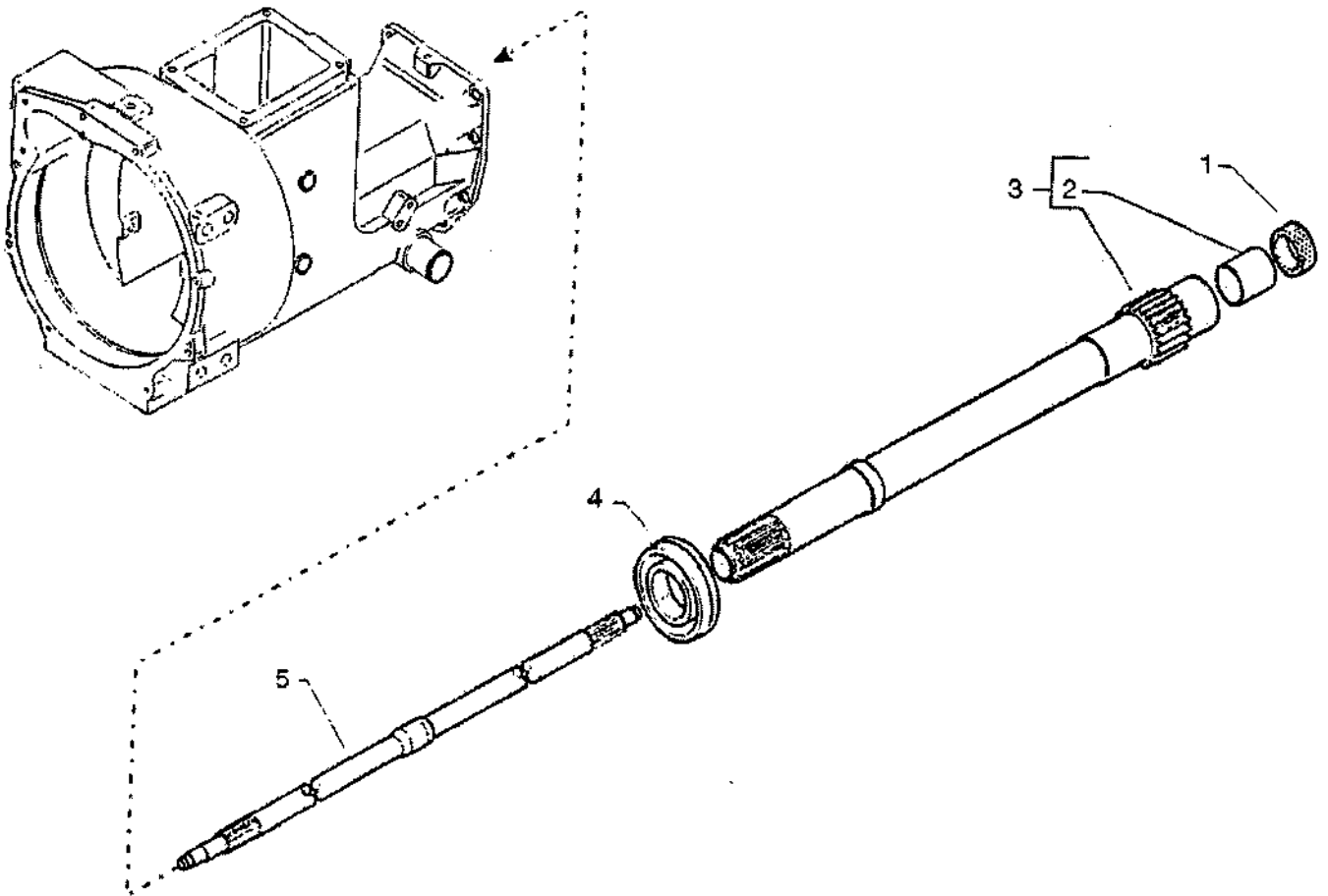
ITEM	LONG No.	VENDOR No.	DESCRIPTION	QTY.	
				70	80
1	ESL12724	N-605518-S36	Bolt (M6x1.00x20)	3	3
2	N-630067-S8	N-630067-S36	Washer	3	3
3	N-620012-S8	N-620012-S36	Nut	3	3
4	ESL12812	25-75220-AA	Lever Assembly, PTO Clutch	1	1
5	ESL12813	25-75170-CA	Rod & Clevis Assembly, PTO Clutch	1	-
-	ESL12814	30-75170-AA	Rod & Clevis Assembly, PTO Clutch	-	1
6	ESL11700	C5NN-2N547-B	Washer	1	1
7	ESL10983	E27-N7547	Lock Ring	1	1
8	73919-S8	73919-S36	Pin Clevis (3/8x1.4)	5	5
9	72017-S8	72017-S36	Pin Cotter(3/8x0.75)	5	5
10	97013-S8	97013-S36	Clevis	1	1
11	ESL12816	25-75227-AA	Sleeve, PTO Clutch	1	1
12	ESL12815	25-75140-BA	Hub & Lever Assembly	1	1
13	ESL12819	25-44461-AA	Bush, Hub & Lever Assembly	1	1
14	ESL12807	25-44125-AA	Washer	1	1
15	ESL12808	N-661211-S	Circlip	1	1
16	ESL12820	25-75180-AB	Rod & Clevis Assembly	1	1
17	ESL12653	N-601796-S36	Bolt (M12x1.75x25)	2	2
18	N-630070-S8	N-630070-S36	Spring Washer (M12)	2	2
19	ESL13288	25-75150-CB	Bracket Assembly, PTO Clutch Pivot	1	-
-	ESL12818	30-75150-BA	Bracket Assembly, PTO Clutch Pivot	-	1
20	ESL13413	25-75154-BA	Pin	1	-
-	ESL13414	25-75154-AA	Pin	-	1

ITEM	LONG No.	VENDOR No.	DESCRIPTION	QTY.	
				70	80
1	ESL12821	25-75550-AA	Clutch Assembly	1	-
-	ESL12822	30-75500-AA	Clutch Assembly	-	1
2	ESL12823	26-75580-AA	Clutch Plate, Main	1	-
-	ESL12824	30-75550-AA	Clutch Plate, Main	-	1
3	ESL12825	26-75590-AA	Clutch Plate, PTO	1	-
-	ESL12826	30-75590-AA	Clutch Plate, PTO	-	1
4	ESL13333	26-75589-AA	Levers Kit	1	1
5	ESL13334	26-75591-AA	Levers Kit	1	1
6	ESL12827	25-75123-AA	Bolt (M8x1.25)	6	-
-	ESL12828	N-601317-S36	Bolt (M10x1.5x60)	-	6
7	ESL12829	N-630028-S36	Washer, Lock (M8)	6	-
-	N-630174-S8	N-630174-S36	Washer, Lock (M10)	-	6



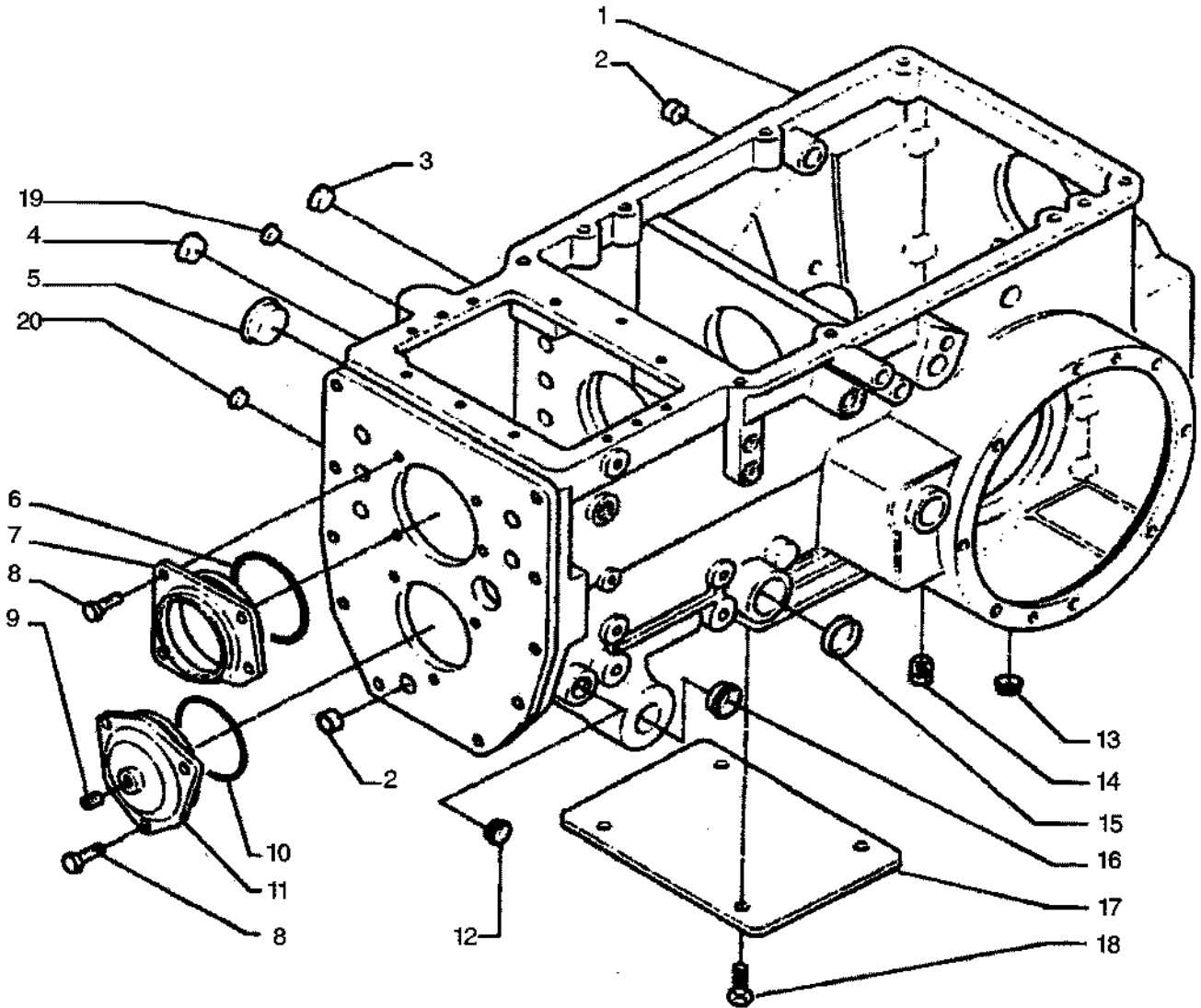


ITEM	LONG No.	VENDOR No.	DESCRIPTION	QTY.	
				70	80
1	ESL12830	26-70101-AA	Oil Seal	1	1
2	ESL12831	26-70102-AA	Bush	1	1
3	ESL12832	26-70103-AA	Transmission Shaft Kit (Includes Item #2)	1	-
-	ESL13416	30-70103-AA	Transmission Shaft Kit (Includes Item #2)	-	1
4	ESL12795	25-71700-AA	Bearing	1	1
5	ESL12833	26-70104-AA	Shaft	1	-
-	ESL13417	30-70104-AA	Shaft	-	1



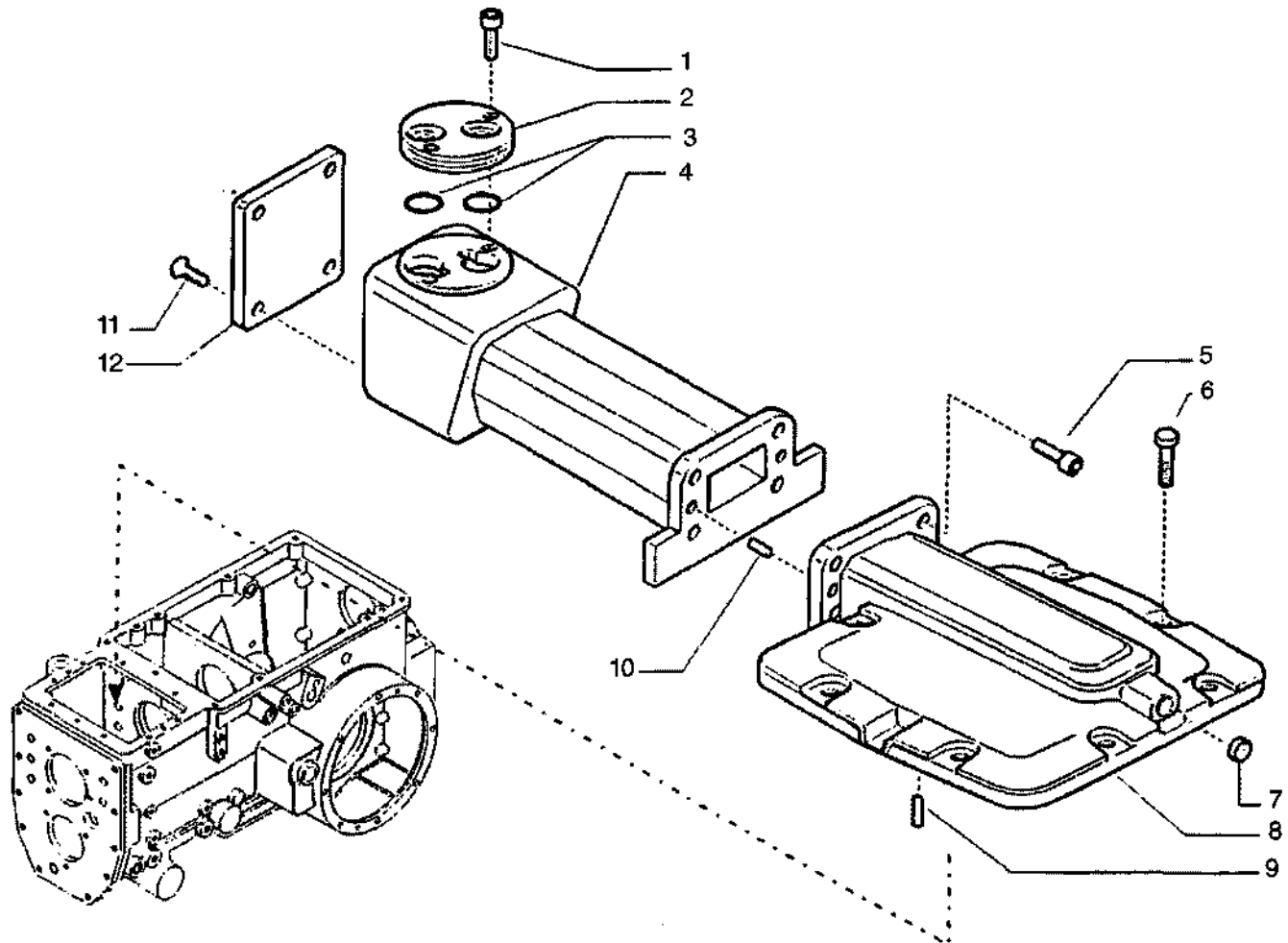
# Notes

# ***GEAR BOX***

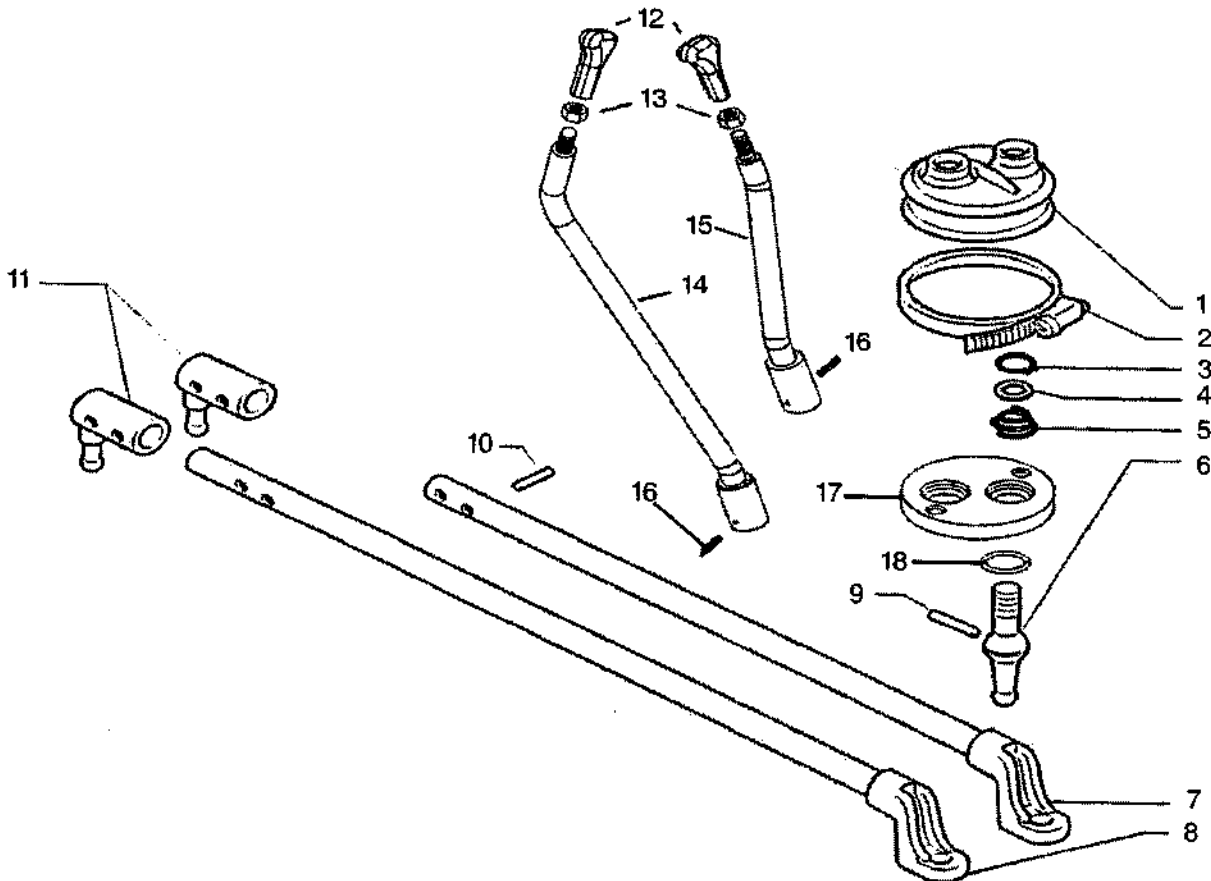


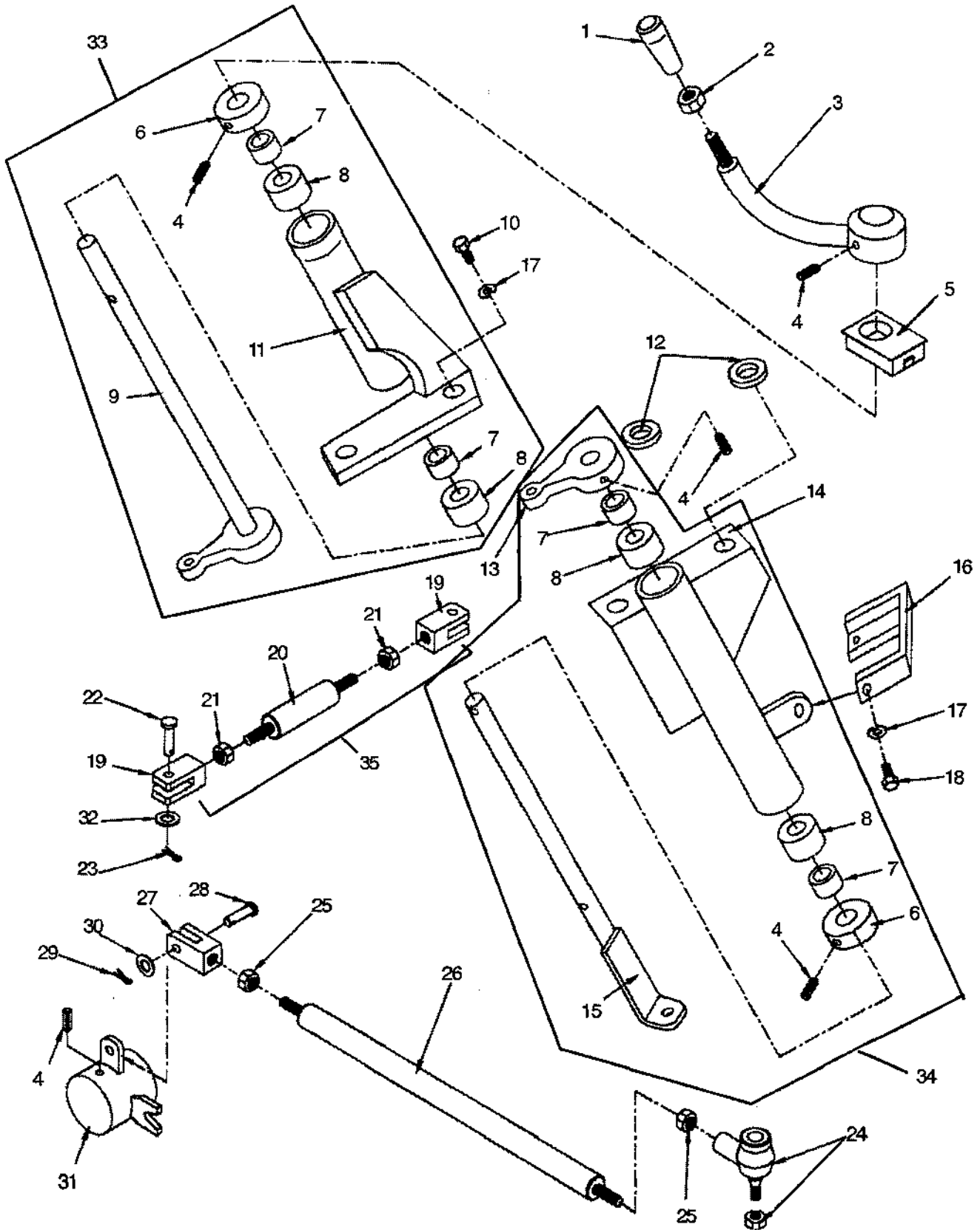
ITEM	LONG No.	VENDOR No.	DESCRIPTION	QTY.	
				70	80
1	ESL12834	26-70105-AA	Gear Box Housing Kit	1	1
2	ESL12835	26-70106-AA	Plug (D20.35)	2	2
3	ESL12836	26-70107-AA	Plug (D15.5)	3	3
4	ESL12837	26-70108-AA	Plug (20.5)	1	1
5	ESL12838	26-70109-AA	Plug (D39)	1	1
6	ESL12839	26-70110-AA	O'Ring	1	1
7	ESL12840	26-70111-AA	Cover	1	1
8	ESL12841	N-605532-S36	Bolt (M8x25)	7	7
9	ESL12842	26-70112-AA	Plug	1	1
10	ESL12843	26-70113-AA	O'Ring	1	1
11	ESL12844	26-70114-AA	Cover	1	1
12	ESL12845	26-70115-AA	Plug	1	1
13	ESL12846	26-70116-AA	Plug (D14.5)	2	2
14	ESL12847	26-70117-AA	Plug (M22x1.5)	1	1
15	ESL12838	26-70109-AA	Plug (D39)	1	1
16	ESL12849	26-70118-AA	Plug (D26)	2	2
17	ESL12850	26-70119-AA	Cover	1	1
18	ESL12851	26-70120-AA	Bolt	4	4
19	ESL12852	26-70121-AA	Plug (D7)	3	3
20	ESL12853	26-70122-AA	Plug (D11)	10	10

ITEM	LONG No.	VENDOR No.	DESCRIPTION	QTY.	
				70	80
1	ESL12861	26-70123-AA	Screw (M8x16)	2	2
2	ESL12862	26-70124-AA	Cover	1	1
3	ESL12863	26-70125-AA	O'Ring	2	2
4	ESL12864	26-70126-AA	Lever Support	1	1
5	ESL12865	26-70127-AA	Screw (M8x25)	4	4
6	ESL12672	N-605545-S36	Bolt (M10x25)	8	8
7	ESL12866	26-70128-AA	Plug	1	1
8	ESL12867	26-70129-AA	Cover	1	1
9	ESL12868	26-70130-AA	Pin, Dowel	2	2
10	ESL12869	26-70131-AA	Pin, Dowel	2	2
11	ESL12871	26-70133-AA	Bolt (M6x12)	4	4
12	ESL12870	26-70132-AA	Cover	1	1



ITEM	LONG No.	VENDOR No.	DESCRIPTION	QTY.	
				70	80
1	ESL12872	26-70134-AA	Boot	1	1
2	ESL12873	26-70135-AA	Hose Clamp	1	1
3	ESL12874	26-70136-AA	Snap Ring (D16)	2	2
4	ESL12875	26-70137-AA	Shim (26x16.5x1)	2	2
5	ESL12876	26-70138-AA	Spring	2	2
6	ESL12877	26-70139-AA	Lever	2	2
7	ESL12878	26-70140-AA	Inner Rod	1	1
8	ESL12879	26-70141-AA	Inner Rod	1	1
9	ESL12869	26-70131-AA	Pin	2	2
10	ESL12880	26-70143-AA	Pin (D6x26)	4	4
11	ESL12881	26-70144-AA	Inner Lever	2	2
12	ESL12882	25-70077-AA	Knob Gear Shift	2	2
13	ESL12883	25-70078-AA	Nut (M10x1.00)	2	2
14	ESL12884	25-70230-AD	Lever & Hub Assembly	1	1
15	ESL12885	25-70210-AD	Lever & Hub Assembly	1	1
16	ESL13418	N-646663-S36	Roll Pin	2	2
17	ESL12862	26-70124-AA	Cover	1	1
18	ESL12863	26-70125-AA	O'Ring	2	2

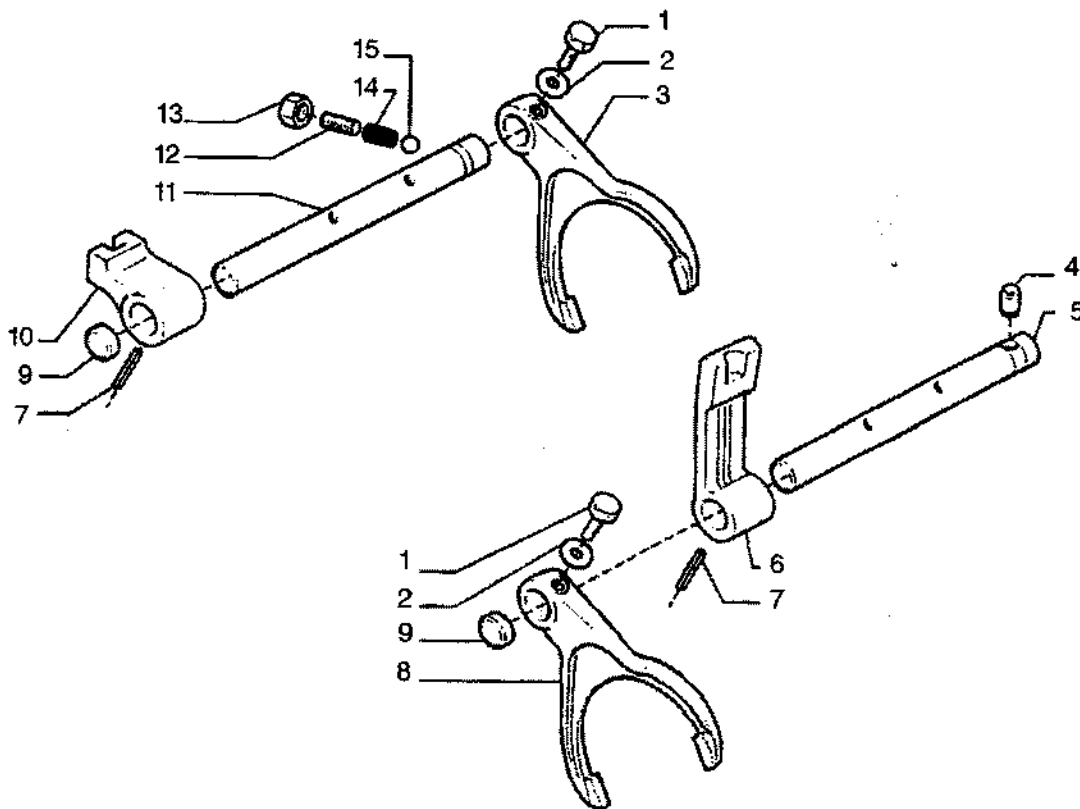




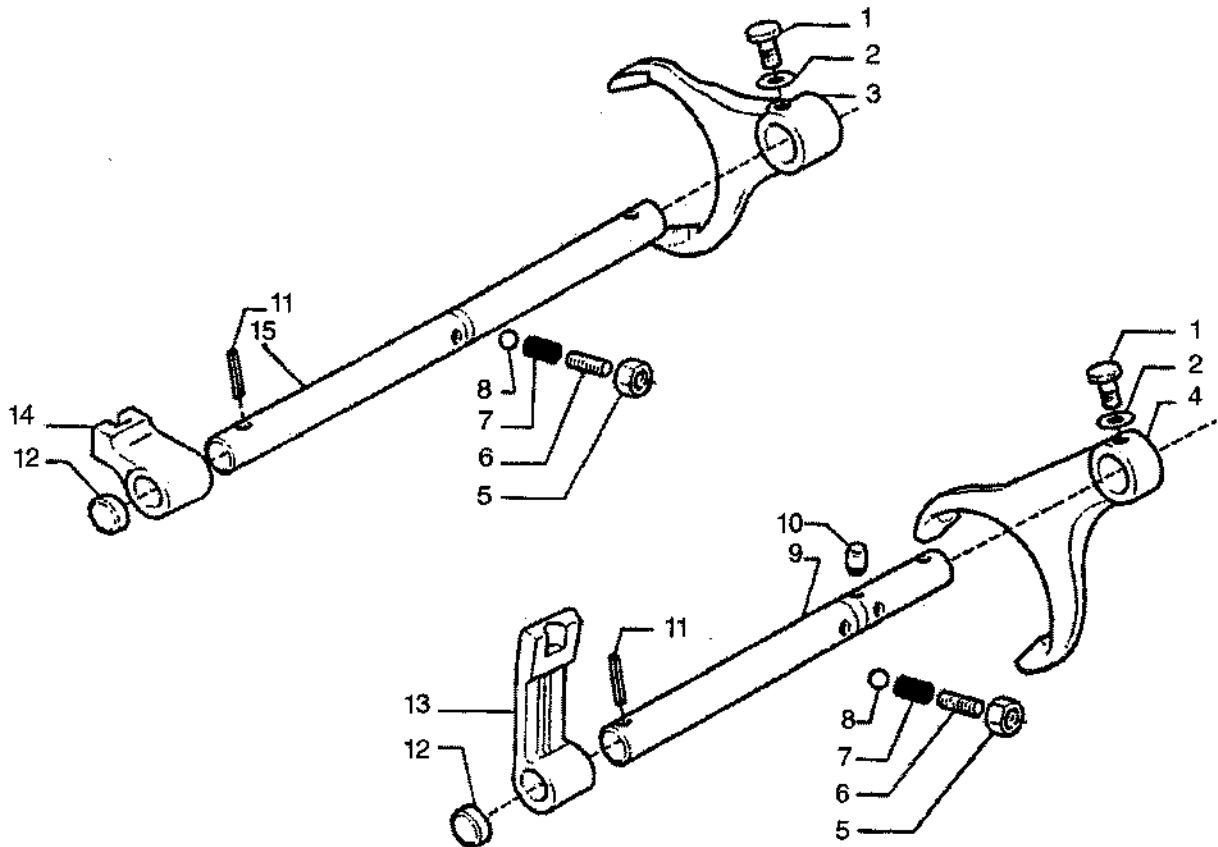


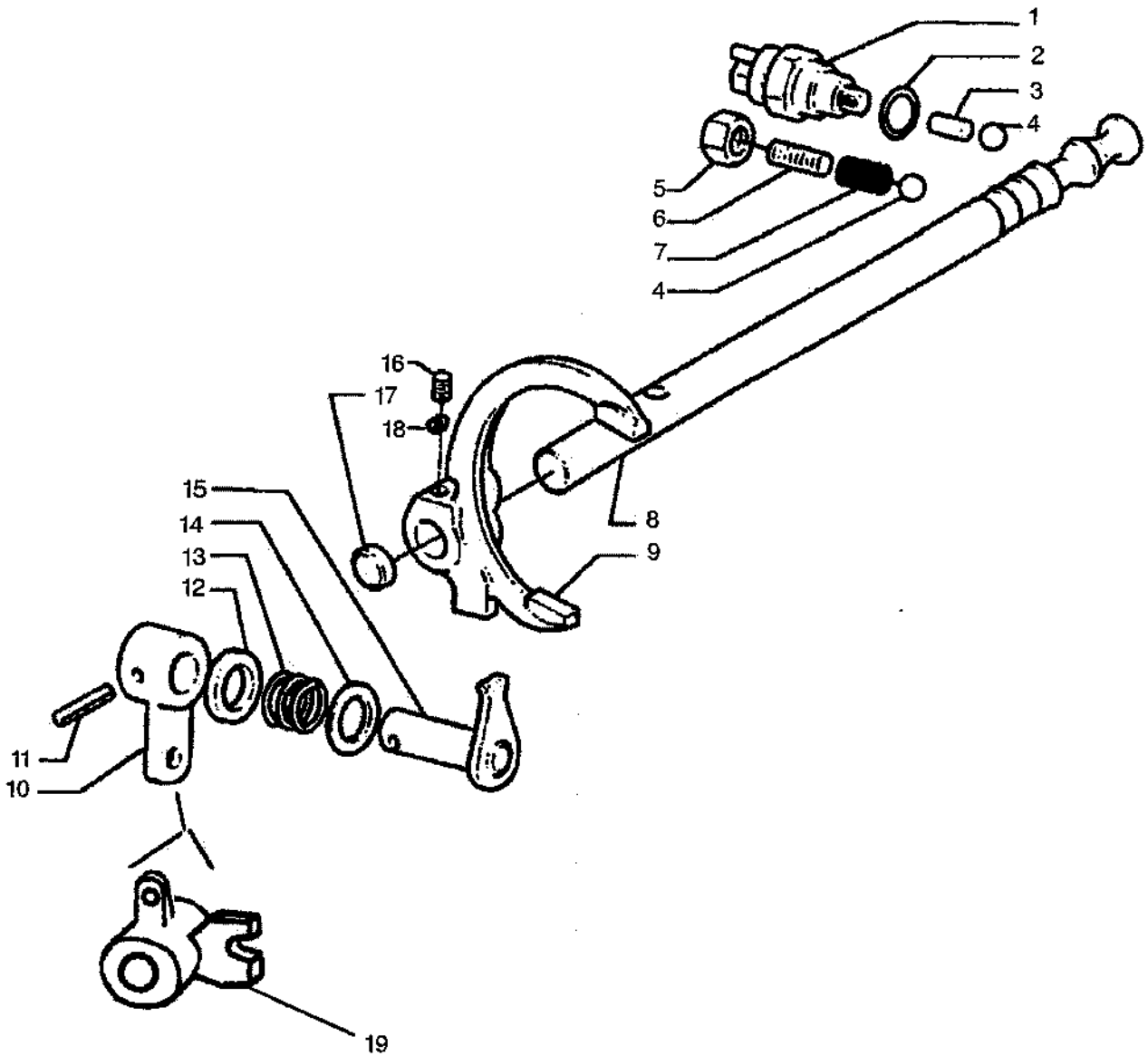
ITEM	LONG No.	VENDOR No.	DESCRIPTION	QTY.	
				70	80
1	ESL12882	25-70077-AA	Knob	1	1
2	ESL12883	25-70078-AA	Nut (M10x1.00)	1	1
3	ESL12886	25-70452-AC	Handle F/R/ Gear Shift	1	1
4	ESL12888	N-646656-S	Roll Pin	4	4
5	ESL12889	25-94236-AA	Grommet	1	1
6	ESL12887	25-70461-AA	Retainer	2	2
7	ESL13437	25-75162-AA	Bush	4	4
8	ESL12890	25-70447-AA	Adapter	4	4
9	ESL13419	25-70445-AC	Shaft F/R, LH	1	1
10	ESL12894	N-605548-S	Bolt (M10x1.5x40)	4	4
11	ESL13425	25-70490-AB	Bracket & Tube Assembly, LH	1	1
12	ESL12898	25-70463-AA	Spacer	2	2
13	ESL13420	25-70258-AA	Lever	1	1
14	ESL13421	25-70260-AA	Bracket & Tube Assembly, RH	1	1
15	ESL13422	25-70251-AA	Shaft F/R, RH	1	-
-	ESL13423	30-70251-AA	Shaft F/R, RH	-	1
16	ESL12896	25-70259-AA	Support	1	1
17	N-630174-S8	N-630174-S36	Washer, Lock (M10)	3	3
18	ESL12897	N-605546-S36	Bolt (M10x1.5x30)	1	1
19	97013-S36	97013-S36	Clevis	2	2
20	ESL13642	86NH-2466-AA	Rod F/R Gear Shift	1	1
21	33925-S8	33925-S36	Nut, Hex (3/8-24)	2	2
22	73919-S8	73919-S36	Pin, Clevis (3/8x1.4)	2	2
23	72017-S8	72017-S36	Pin, Cotter (1/8x0.75)	2	2
24	ESL12900	25-70455-AA	Ball Joint Assembly	1	1
25	ESL12901	E-620333	Nut Hex, Thin	2	2
26	ESL12899	25-70255-BB	Rod, RH	1	-
-	ESL13424	30-70255-BA	Rod, RH	-	1
27	ESL12902	25-70462-AB	Clevis	1	1
28	ESL12904	25-70451-AB	Pin	1	1
29	72035-S8	72035-S8	Cotter Pin	1	1
30	ESL11956	N-630069-S36	Washer	1	1
31	ESL12903	25-70430-CA	Lever & Hub Assembly	1	1
32	44728-S8	44728-S36	Washer, Flat (3/8)	2	2
33	ESL12891	25-70010-AA	Shaft & Bracket Assembly, LH	1	1
34	ESL12892	25-70020-AA	Shaft & Bracket Assembly, RH	1	-
-	ESL12893	30-70020-AA	Shaft & Bracket Assembly, RH	-	1
35	ESL12895	25-70253-AA	Rod & Clevis Assembly	1	1

ITEM	LONG No.	VENDOR No.	DESCRIPTION	QTY.	
				70	80
1	ESL12905	26-70145-AA	Bolt	2	2
2	ESL12906	26-70146-AA	Washer	2	2
3	ESL12907	26-70147-AA	Fork 1-2	1	1
4	ESL12908	26-70148-AA	Lock Pin	1	1
5	ESL12909	26-70149-AA	Rod	1	1
6	ESL12910	26-70150-AA	Block	1	1
7	ESL12911	26-70151-AA	Pin (D6x30)	2	2
8	ESL12912	26-70152-AA	Fork 3-4	1	1
9	ESL12835	26-70106-AA	Plug (D20.35)	2	2
10	ESL12913	26-70153-AA	Block	1	1
11	ESL12914	26-70154-AA	Rod	1	1
12	ESL12915	26-70155-AA	Grub Screw (M12x25)	2	2
13	ESL12916	26-70156-AA	Nut (M12)	2	2
14	ESL12917	26-70157-AA	Spring	2	2
15	ESL12918	26-70158-AA	Ball	2	2

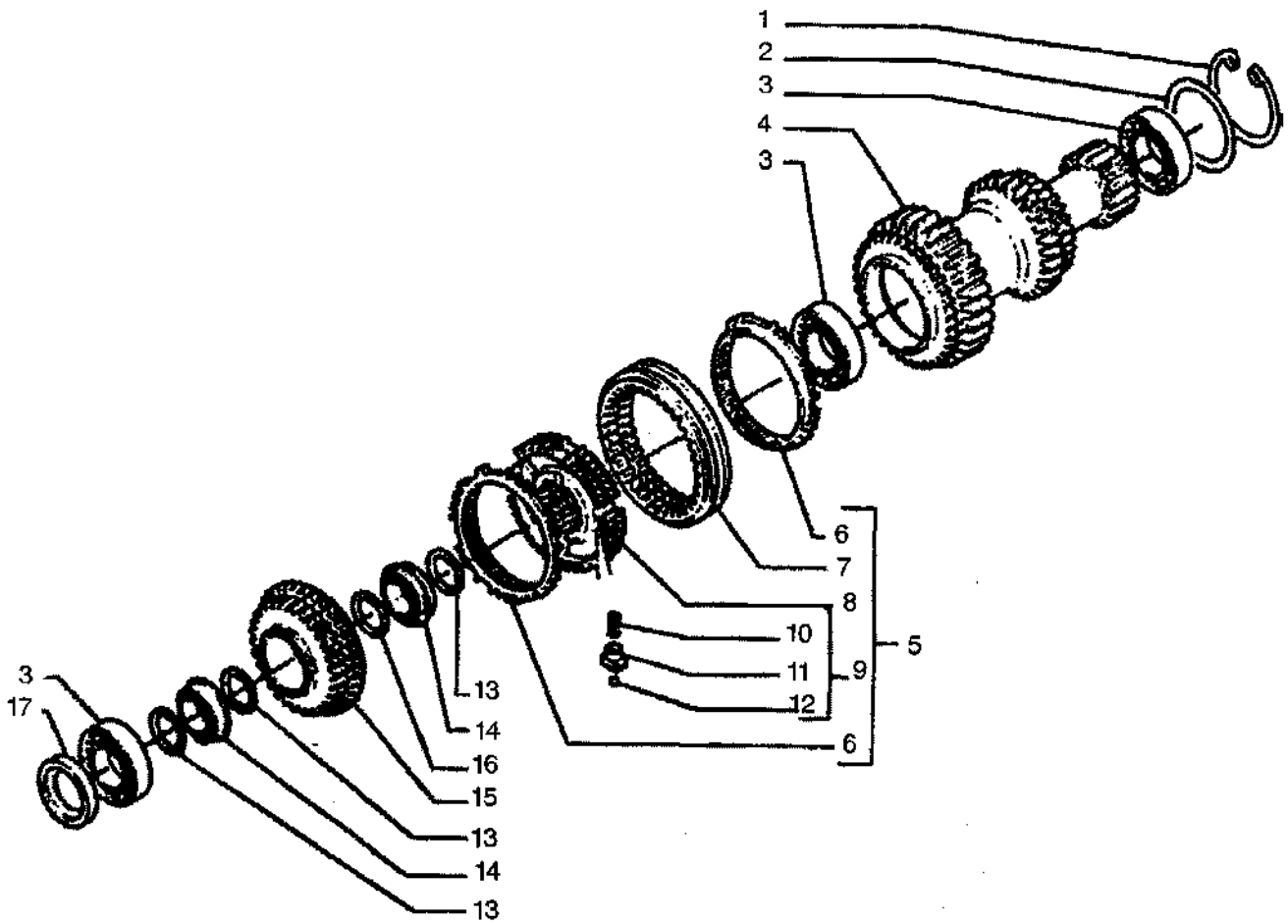


ITEM	LONG No.	VENDOR No.	DESCRIPTION	QTY.	
				70	80
1	ESL12905	26-70145-AA	Bolt	2	2
2	ESL12906	26-70146-AA	Washer	2	2
3	ESL12919	26-70159-AA	Fork	1	1
4	ESL12920	26-70164-AA	Fork	1	1
5	ESL12916	26-70156-AA	Nut (M12)	2	2
6	ESL12915	26-70155-AA	Grub Screw (M12x25)	2	2
7	ESL12917	26-70157-AA	Spring	2	2
8	ESL12918	26-70158-AA	Ball (D.3/8")	2	2
9	ESL12921	26-70162-AA	Rod	1	1
10	ESL12908	26-70148-AA	Lock Pin	1	1
11	ESL12911	26-70151-AA	Pin (D6x30)	2	2
12	ESL12835	26-70106-AA	Plug (D20.35x6)	2	2
13	ESL12910	26-70150-AA	Block	1	1
14	ESL12913	26-70153-AA	Block	1	1
15	ESL12922	26-70160-AA	Rod	1	1

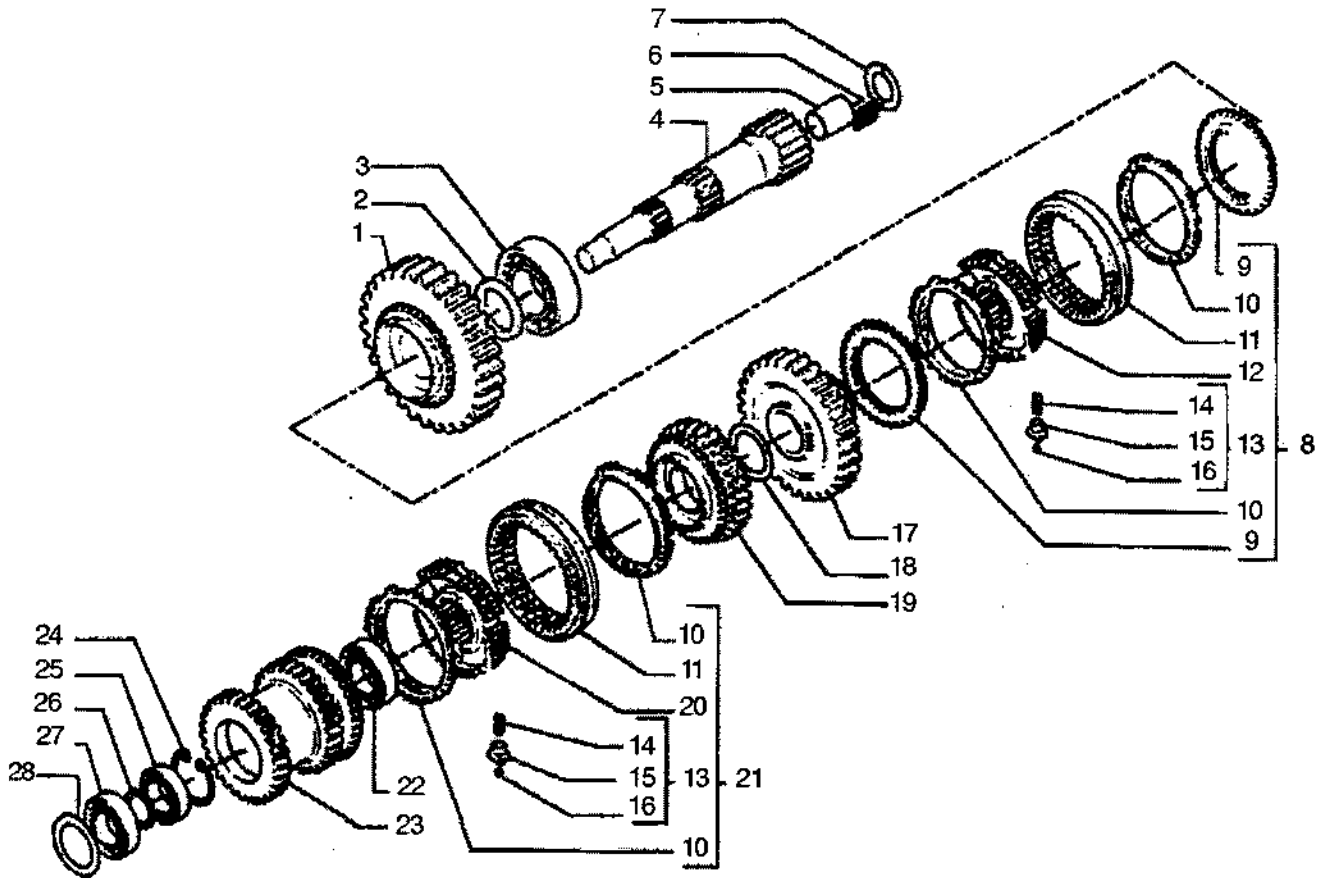




ITEM	LONG No.	VENDOR No.	DESCRIPTION	QTY.	
				70	80
1	ESL12923	26-70165-AA	Sensor	1	1
2	ESL12924	26-70166-AA	Washer	1	1
3	ESL12925	26-70167-AA	Pin (D.9x17)	1	1
4	ESL12918	26-70158-AA	Ball (D3/8")	2	2
5	ESL12916	26-70156-AA	Nut (M12)	1	1
6	ESL12915	26-70155-AA	Grub Screw (M12x25)	1	1
7	ESL12917	26-70157-AA	Spring	1	1
8	ESL12926	26-70168-AA	Rod	1	1
9	ESL12927	26-70169-AA	Fork	1	1
10	ESL12806	25-70321-AA	Lever & Hub Assembly	1	1
11	ESL12928	26-70170-AA	Pin	1	1
12	ESL12929	26-70171-AA	Oil Seal	1	1
13	ESL12930	26-70172-AA	Spring	1	1
14	ESL12931	26-70173-AA	Washer	1	1
15	ESL12932	26-70174-AA	Lever	1	1
16	ESL12905	26-70145-AA	Bolt	1	1
17	ESL12835	26-70106-AA	Plug (D20.35x6)	1	1
18	ESL12906	26-70146-AA	Washer	1	1
19	ESL12903	25-70430-CA	Lever & Hub Assembly	1	1



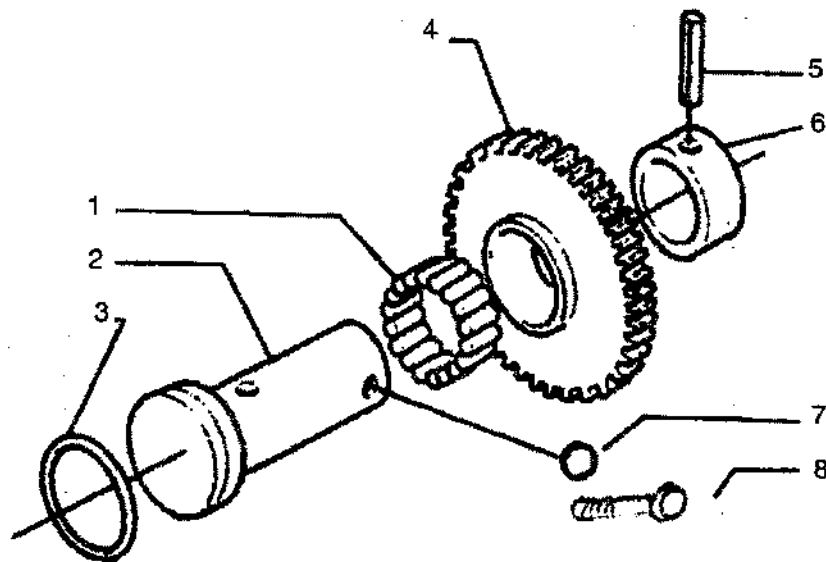
ITEM	LONG No.	VENDOR No.	DESCRIPTION	QTY.	
				70	80
1	ESL12934	26-70177-AA	Snap Ring	1	1
2	ESL12935	26-70178-AA	Shim (0.05mm)	AR	AR
-	ESL12936	26-70178-BA	Shim (0.1mm)	AR	AR
-	ESL12937	26-70178-CA	Shim (0.3mm)	AR	AR
3	ESL12938	26-70179-AA	Bearing	3	3
4	ESL12939	26-70180-AA	Primary Shaft	1	1
5	ESL12940	26-70181-AA	Synchronizer Kit (Consists of Items#6,7,8,9)	1	1
6			Ring (NSS)	2	2
7			Sleeve (NSS)	1	1
8			Hub (NSS)	1	1
9	ESL12941	26-70185-AA	Spring Kit (Includes Items#10-12)	3	3
10			Spring (NSS)	3	3
11			Pad (NSS)	3	3
12			Ball (NSS)	3	3
13	ESL12942	26-70189-AA	Shim (0.5mm)	3	3
14	ESL12943	26-70190-AA	Bearing	2	2
15	ESL12944	26-70191-AA	Gear (Z=26)	1	1
16	ESL12942	26-70189-AA	Shim (0.5mm)	AR	AR
-	ESL12945	26-70192-AA	Shim (0.3mm)	AR	AR
-	ESL12946	26-70193-AA	Shim (0.1mm)	AR	AR
17	ESL12947	26-70194-AA	Oil Seal	1	1





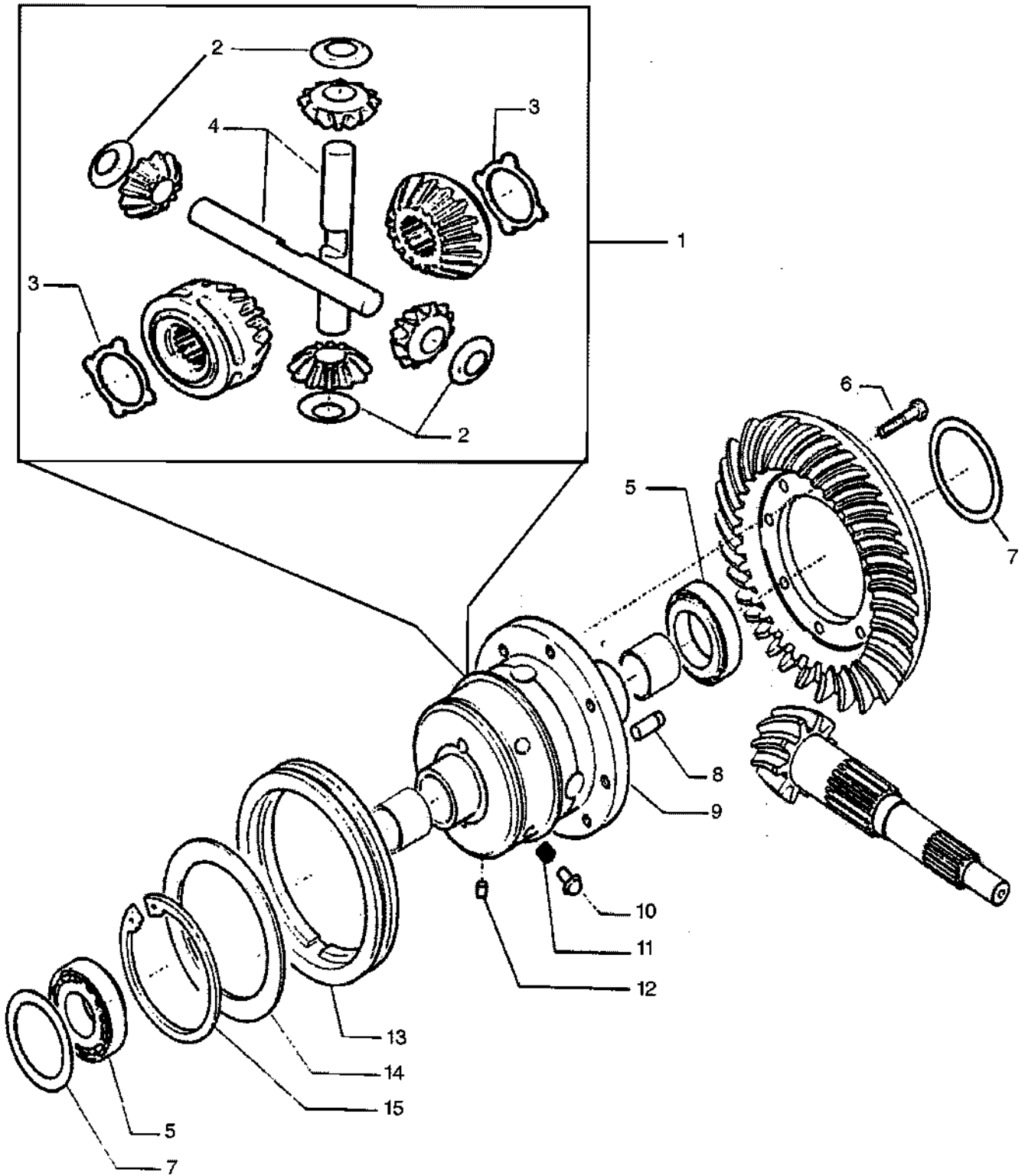
ITEM	LONG No.	VENDOR No.	DESCRIPTION	QTY.	
				70	80
1	ESL12948	26-70195-AA	Gear (Z-44)	1	1
2	ESL12949	26-70196-AA	Spacer	1	1
3	ESL12950	26-70197-AA	Bearing	1	1
4	ESL12951	26-70198-AA	Secondary Shaft (Z-20)	1	1
5	ESL12952	26-70199-AA	Bush	1	1
6	ESL12953	26-70200-AA	Bearing Needles	19	19
7	ESL12954	26-70201-AA	Thrust Washer	1	1
8	ESL12955	26-70202-AA	Synchronizer Kit (Consists of Items #9-13)	1	1
9			Synchronizing Ring (NSS)	2	2
10			Tapered Ring	4	4
11			Sleeve(NSS)	2	2
12			Hub(NSS)	1	1
13	ESL12941	26-70185-AA	Spring Kit (Consists of Items #14-16 1 each)	6	6
14			Spring (NSS)	6	6
15			Pad (NSS)	6	6
16			Ball (NSS)	6	6
17	ESL12956	26-70211-AA	Gear (Z-39)	1	1
18	ESL12957	26-70212-AA	Spacer	1	1
19	ESL12958	26-70213-AA	Gear (Z-33)	1	1
20			Hub(NSS)	1	1
21	ESL12959	26-70215-AA	Synchronizer Kit (Consists Of Items #10-11,13,20)	1	1
22	ESL12960	26-70216-AA	Bearing	1	1
23	ESL12961	26-70217-AA	Gear (Z-28/28)	1	1
24	ESL12962	26-70218-AA	Snap Ring	1	1
25	ESL12963	26-70219-AA	Bearing	1	1
26	ESL12964	26-70220-AA	Spacer	1	1
27	ESL12965	26-70221-AA	Bearing	1	1
28	ESL12966	26-70222-AA	Shim (0.1mm)	AR	AR
-	ESL12967	26-70222-BA	Shim (0.3mm)	AR	AR
-	ESL12968	26-70222-CA	Shim (0.5mm)	AR	AR

ITEM	LONG No.	VENDOR No.	DESCRIPTION	QTY.	
				70	80
1	ESL12854	26-70223-AA	Needle Bearing	1	1
2	ESL12855	26-70224-AA	Shaft	1	1
3	ESL12856	26-70225-AA	O'Ring	1	1
4	ESL12857	26-70226-AA	Gear (Z=21)	1	1
5	ESL12858	26-70227-AA	Pin	1	1
6	ESL13192	26-70228-AA	Bush	1	1
7	ESL12859	26-70229-AA	Washer	1	1
8	ESL12860	26-70230-AA	Screw (M12x47)	1	1

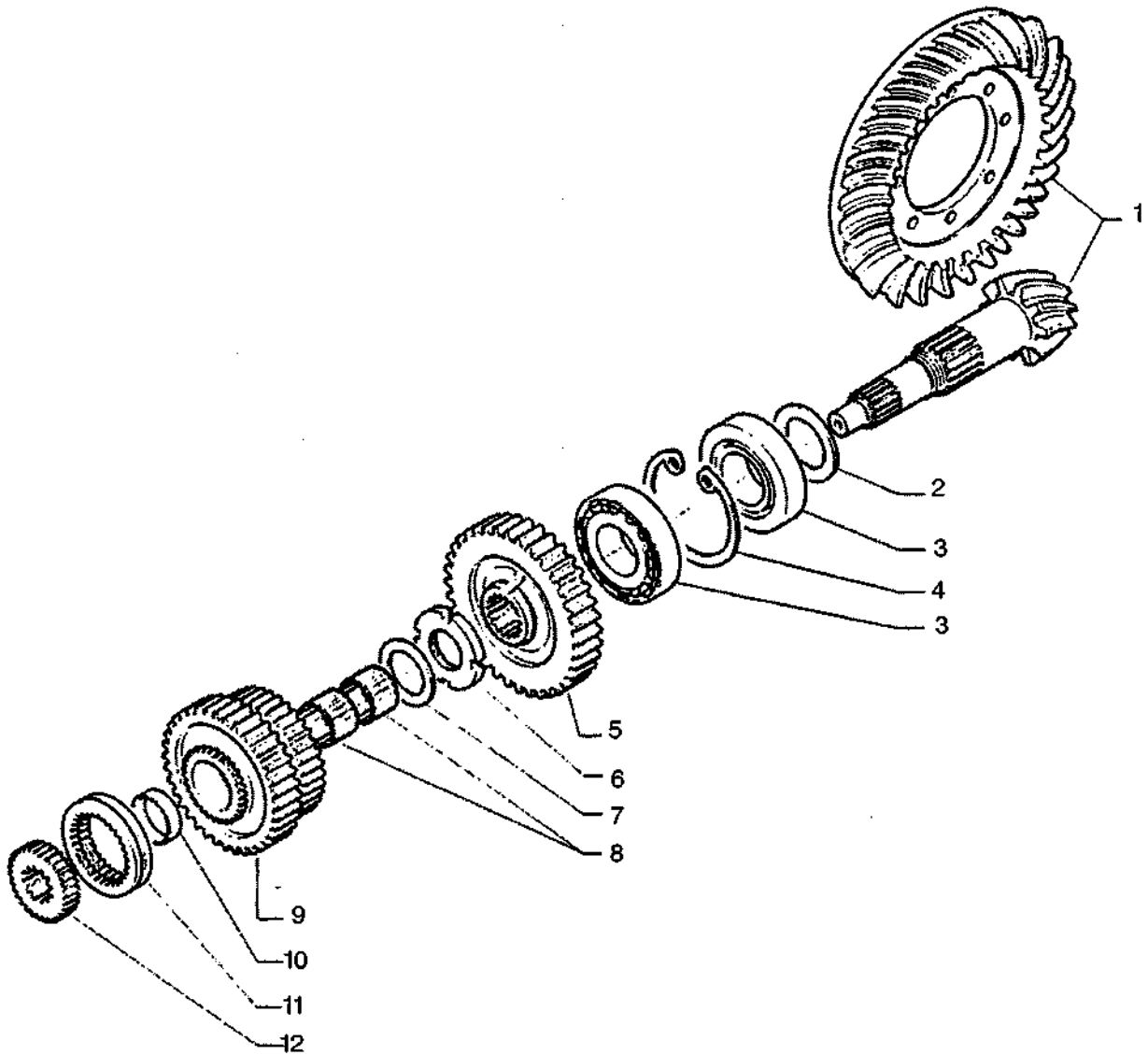


# ***REAR END & P.T.O.***

70/80

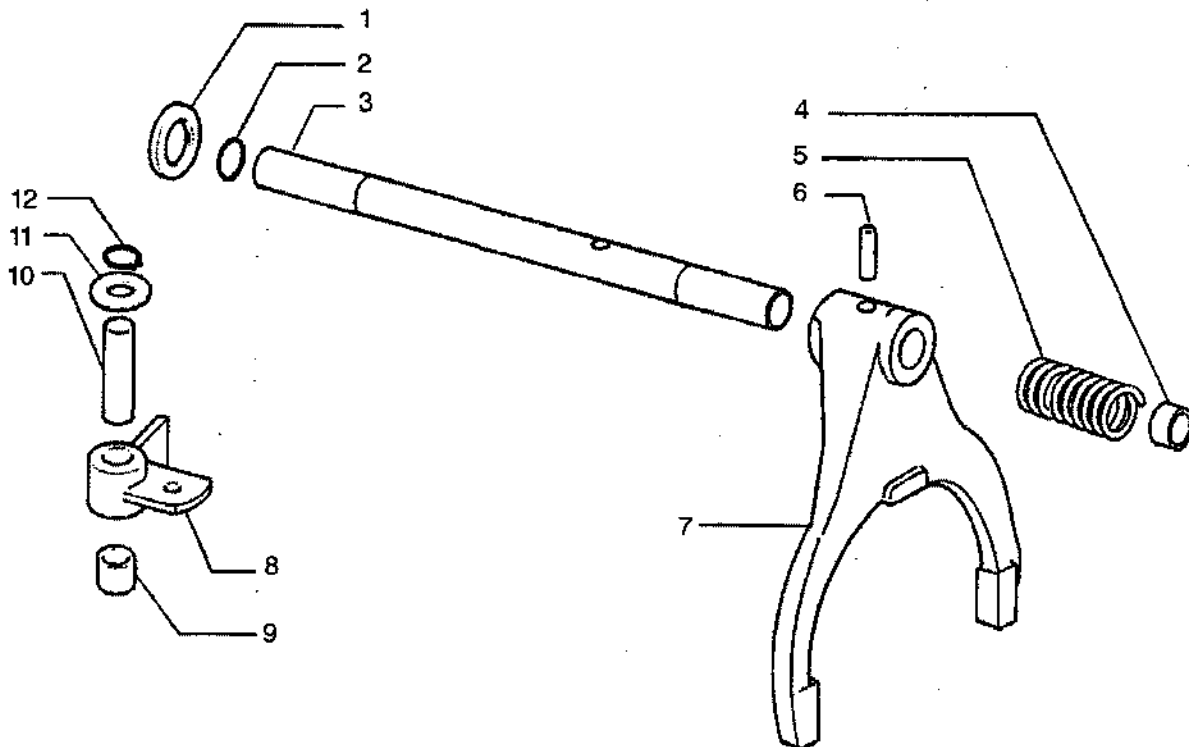


ITEM	LONG No.	VENDOR No.	DESCRIPTION	Qty.	
				70	80
1	ESL12969	26-70243-AA	Differential Kit (Includes Items # 1-4)	1	1
2	ESL12970	26-70244-AA	Thrust Washer	4	4
3	ESL12971	26-70245-AA	Thrust Washer	2	2
4	ESL12972	26-70246-AA	Shaft	2	2
5	ESL12973	26-70247-AA	Bearing	2	2
6	ESL23974	26-70248-AA	Bolt (M12x80)	8	8
7	ESL12975	26-70249-AA	Shim (0.1mm)	AR	AR
-	ESL12976	26-70249-BA	Shim (0.3mm)	AR	AR
-	ESL12977	26-70249-CA	Shim (0.5mm)	AR	AR
-	ESL12978	26-70249-DA	Shim (0.05mm)	AR	AR
8	ESL13065	26-70250-AA	Pin (D12x30)	1	1
9	ESL12979	26-70251-AA	Differential Box	1	1
10	ESL12980	26-70252-AA	Pin	4	4
11	ESL12981	26-70253-AA	Spring	4	4
12	ESL12982	26-70254-AA	Pin	1	1
13	ESL12983	26-70255-AA	Sleeve	1	1
14	ESL12984	26-70256-AA	Flange	1	1
15	ESL12985	26-70257-AA	Snap Ring	1	1



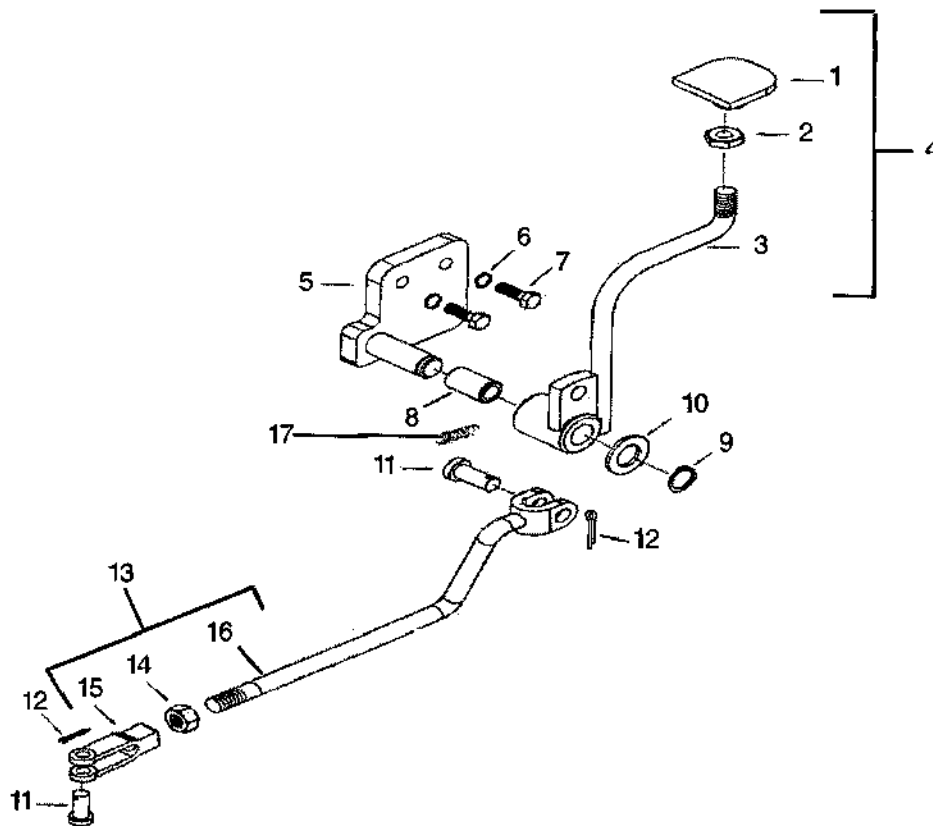
ITEM	LONG No.	VENDOR No.	DESCRIPTION	QTY.	
				70	80
1	ESL12996	26-70231-AA	Bevel Gear Set (Z-12/38) (Includes Items #1-2,6)	1	1
2	ESL12997	26-70232-AA	Shim (2.5)	4	4
-	ESL12998	26-70232-BA	Shim (2.6)	AR	AR
-	ESL12999	26-70232-CA	Shim (2.7)	AR	AR
-	ESL13000	26-70232-DA	Shim (2.8)	AR	AR
-	ESL13001	26-70232-EA	Shim (2.9)	AR	AR
-	ESL13002	26-70232-FA	Shim (3.0)	AR	AR
-	ESL13003	26-70232-GA	Shim (3.1)	AR	AR
-	ESL13004	26-70232-HA	Shim (3.2)	AR	AR
-	ESL13005	26-70232-IA	Shim (3.3)	AR	AR
-	ESL13006	26-70232-JA	Shim (3.4)	AR	AR
-	ESL13007	26-70232-KA	Shim (3.5)	AR	AR
3	ESL13008	26-70233-AA	Bearing	2	2
4	ESL13009	26-70234-AA	Snap Ring	1	1
5	ESL13010	26-70235-AA	Gear (Z-40)	1	1
6	ESL13011	26-70236-AA	Ring Nut (45x1.5)	1	1
7	ESL13012	26-70237-AA	Thrust Washer	1	1
8	ESL13013	26-70238-AA	Bearing, Needle	2	2
9	ESL13014	26-70239-AA	Gear (Z-34/26)	1	1
10	ESL13015	26-70240-AA	Spacer	1	1
11	ESL13016	26-70241-AA	Collar	1	1
12	ESL13017	26-70242-AA	Gear	1	1

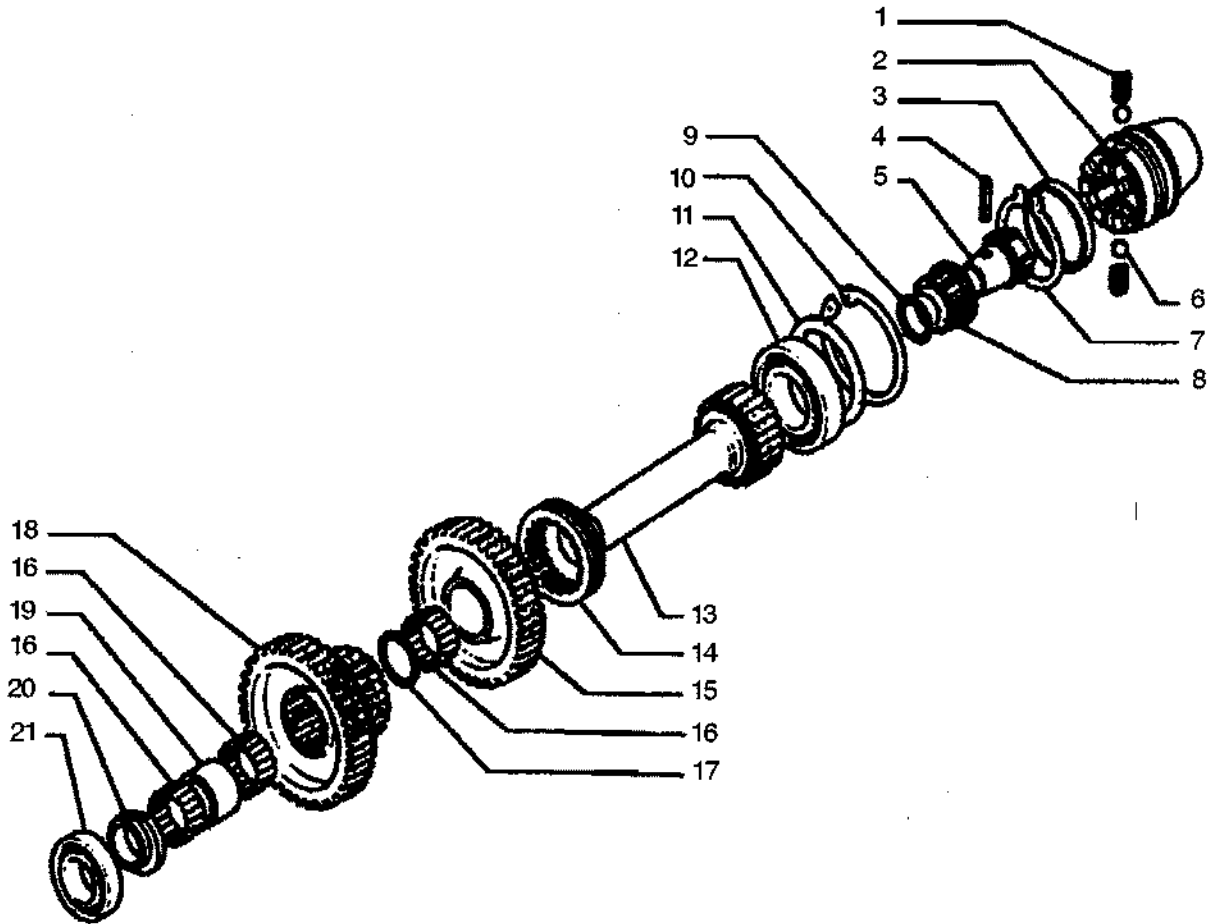
ITEM	LONG No.	VENDOR No.	DESCRIPTION	QTY.	
				70	80
1	ESL13018	26-70258-AA	Seal, Ring	1	1
2	ESL13019	26-70259-AA	O'Ring	1	1
3	ESL13020	26-70260-AA	Drive Shaft	1	1
4	ESL12835	26-70106-AA	Plug	1	1
5	ESL13021	26-70262-AA	Spring	1	1
6	ESL12778	N-646689-S36	Pin (D8x36)	1	1
7	ESL13022	26-70263-AA	Fork	1	1
8	ESL13023	25-44120-AA	Lever Kit (Includes Item #9)	1	1
9	ESL12819	25-44461-AA	Bush	1	1
10	ESL13024	26-70264-AA	Pin (D15x51)	1	1
11	ESL12807	25-44125-AA	Washer	1	1
12	ESL12808	N-661211-S	Circlip	1	1



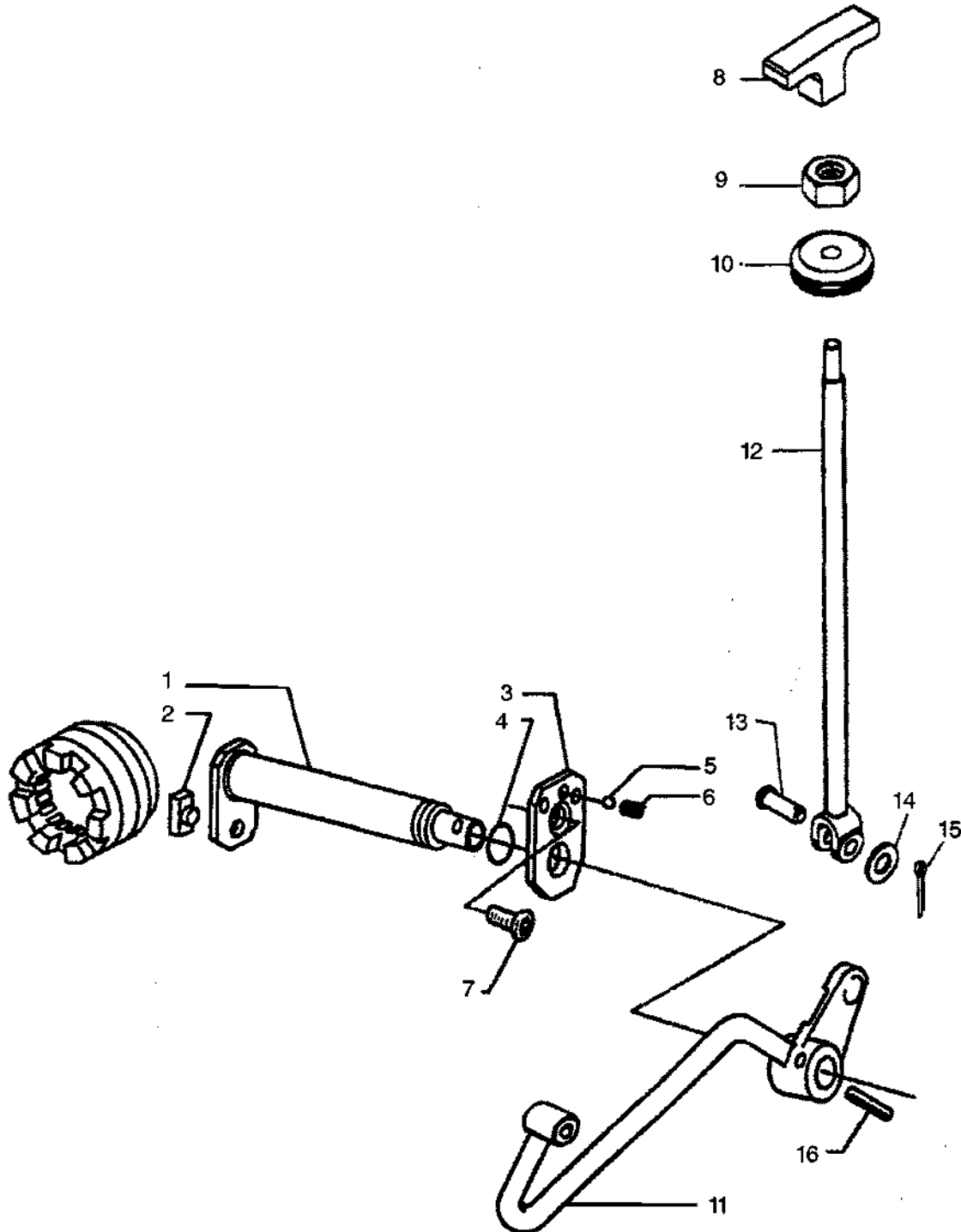


ITEM	LONG No.	VENDOR No.	DESCRIPTION	QTY.	
				70	80
1	ESL13025	25-44196-BA	Pedal, Differential	1	1
2	ESL13026	N-620334-S72	Nut, Thin (M10)	1	1
3			Shank & Hub Assembly (NSS)	1	1
4	ESL13027	25-44190-DA	Pedal Assembly, Differential Lock	1	1
5	ESL13029	25-44220-AA	Bracket Assembly	1	1
6	N-630173-S8	N-630173-S36	Washer, Lock (M8)	2	2
7	ESL12841	N-605532-S36	Bolt (M8x1.25x25)	2	2
8	ESL12819	25-44461-AA	Bush	1	1
9	ESL12808	N-661211-S	Ring Retaining	2	2
10	ESL12807	25-44125-AA	Washer	2	2
11	73919-S8	73919-S36	Pin, Clevis	2	2
12	72017-S8	72017-S36	Pin, Cotter	2	2
13	ESL13030	25-44090-BA	Rod & Clevis Assembly	1	1
14	N-62042-S8	N-62042-S36	Nut	1	1
15	N-662423-S8	N-662423-S36	Clevis	1	1
16			Rod Assembly (NSS)	1	1
17	ESL13028	25-44111-AA	Spring Differential Lock	1	1





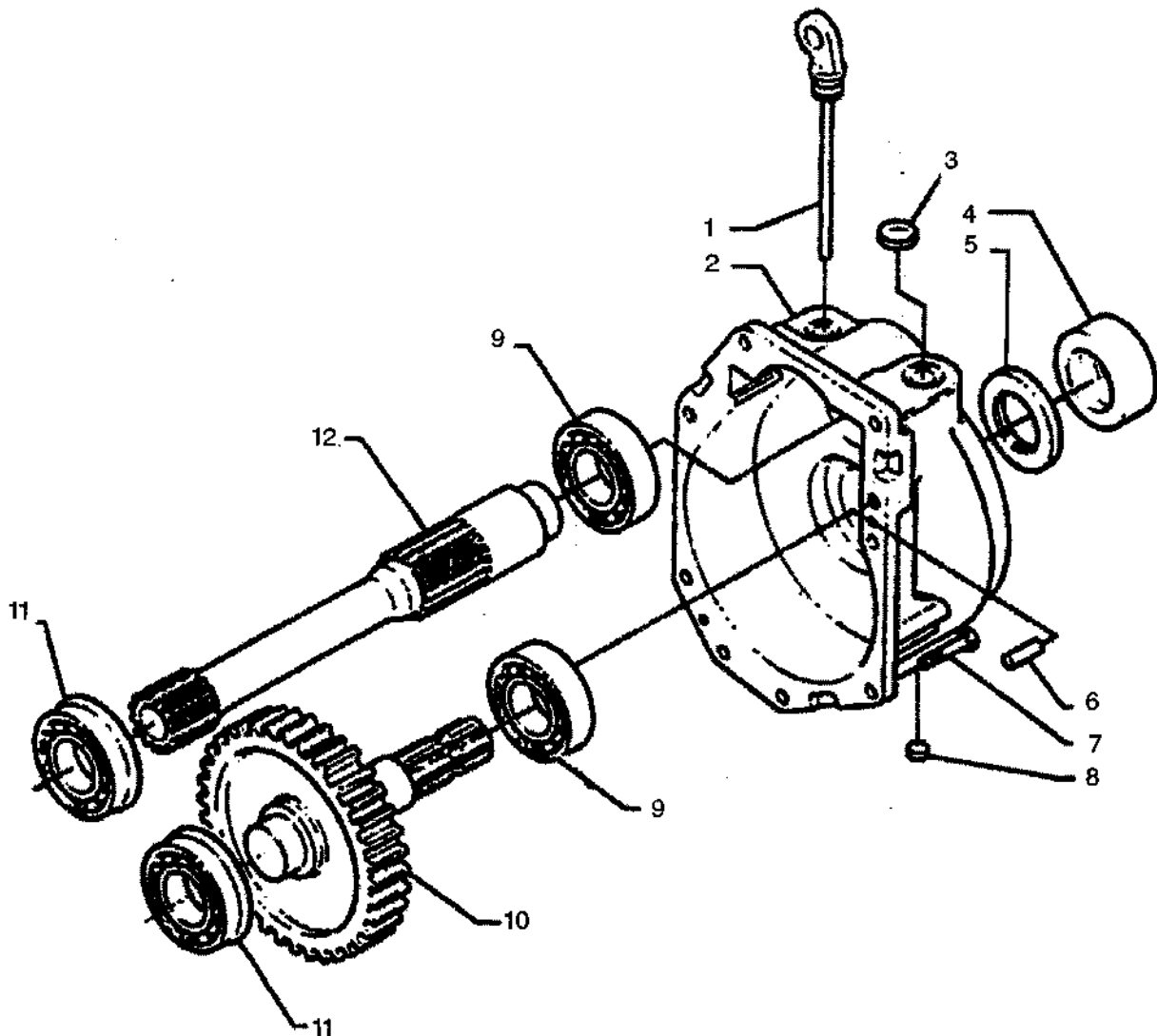
ITEM	LONG No.	VENDOR No.	DESCRIPTION	QTY.	
				70	80
1	ESL13031	25-70265-AA	Spring	2	2
2	ESL13032	26-70266-AA	PTO Synchronized Clutch	1	1
3	ESL13033	26-70267-AA	Lock Ring	1	1
4	ESL13034	26-70268-AA	Pin (D.5x26)	2	2
5	ESL13035	26-70269-AA	PTO Clutch	1	1
6	ESL13036	26-70270-AA	Ball (D.1/4")	2	2
7	ESL13037	26-70271-AA	Snap Ring	1	1
8	ESL13038	26-70272-AA	PTO Lock Ring	1	1
9	ESL13039	26-70273-AA	Washer	1	1
10	ESL13040	26-70274-AA	Snap Ring (D.90)	1	1
11	ESL12975	26-70249-AA	Shim (0.10mm)	AR	AR
-	ESL12976	26-70249-BA	Shim (0.30mm)	AR	AR
-	ESL12977	26-70249-CA	Shim (0.50mm)	AR	AR
12	ESL13042	26-70275-AA	Bearing	1	1
13	ESL13043	26-70276-AA	Shaft Gear (Z-20)	1	1
14	ESL13044	26-70277-AA	Collar	1	1
15	ESL13045	26-70278-AA	Gear (Z-33)	1	1
16	ESL13046	26-70279-AA	Needle Bearing	3	3
17	ESL13047	26-70280-AA	Spacer	1	1
18	ESL13048	26-70281-AA	Gear (Z-25/39)	1	1
19	ESL13049	26-70282-AA	Spacer	1	1
20	ESL13050	26-70283-AA	Washer	1	1
21	ESL12938	26-70179-AA	Bearing	1	1



ITEM	LONG No.	VENDOR No.	DESCRIPTION	QTY.	
				70	80
1	ESL13051	26-70285-AA	Shaft	1	1
2	ESL13052	26-70286-AA	Pad	1	1
3	ESL13053	26-70287-AA	Plate	1	1
4	ESL13019	26-70259-AA	O'Ring	1	1
5	ESL13036	26-70270-AA	Ball (D.1/4")	1	1
6	ESL13031	26-70265-AA	Spring	1	1
7	ESL13054	26-70291-AA	Screw (M8x16)	1	1
8	ESL13335	25-70473-AA	Knob	1	1
9	N620042-S8	N620042-S36	Nut	1	1
10	ESL13056	D3NN-16N449-A	Rubber Boot	1	1
11	ESL13057	26-70376-AA	Front Lever P.T.O.	1	1
12	ESL13058	25-70472-AA	Rod Assembly, PTO Engaging	1	1
13	76023-S8	76023-S36	Pin, Clevis	1	1
14	44726-S8	44726-S36	Washer	1	1
15	72016-S8	72016-S8	Pin, Cotter	1	1
16	ESL13059	26-70292-AA	Pin (D.6x28)	1	1

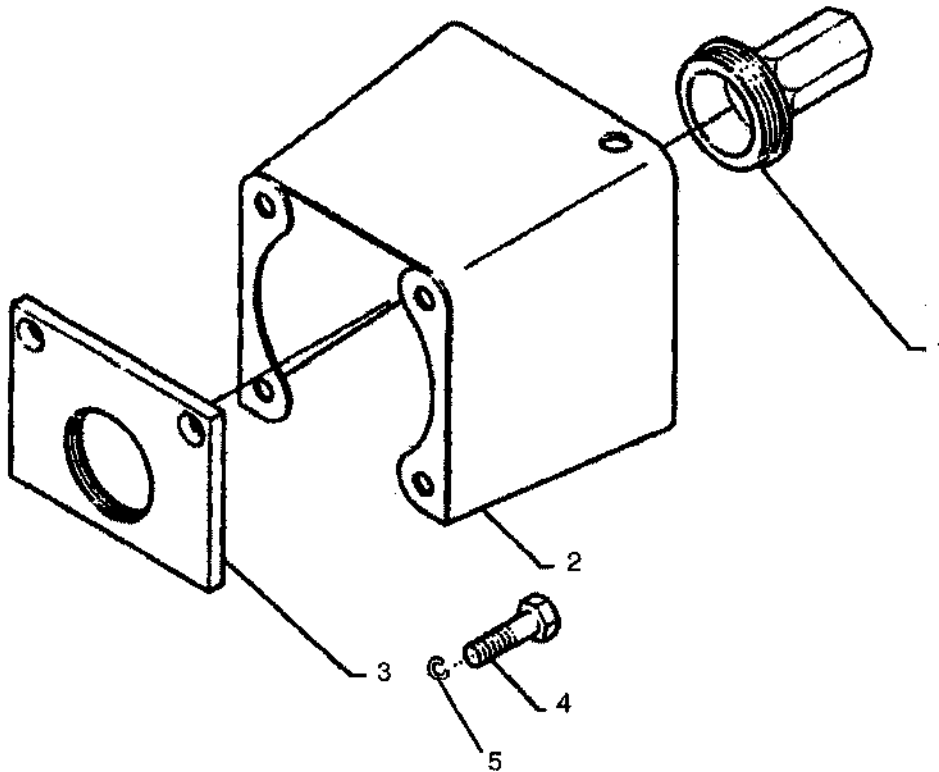
**70/80**

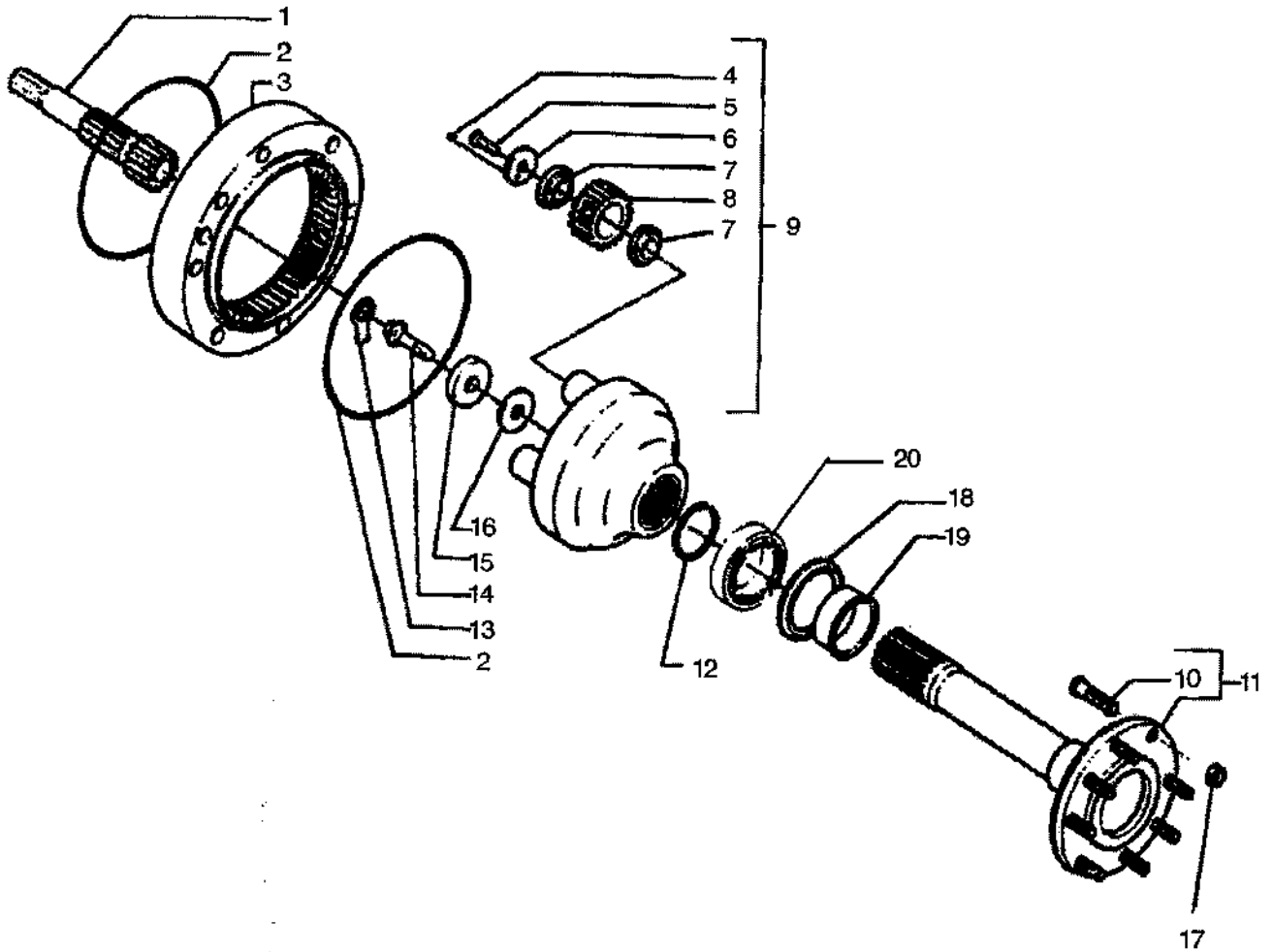
ITEM	LONG No.	VENDOR No.	DESCRIPTION	QTY.	
				70	80
1	ESL13060	26-70303-AA	Oil Dip Stick	1	1
2	ESL13061	26-70307-AA	Cover	1	1
3	ESL13062	26-70373-AA	Plug	1	1
4	ESL13063	26-70314-AA	Sealing Ring	1	1
5	ESL13064	26-70306-AA	Oil Seal	1	1
6	ESL13065	26-70250-AA	Dowel Pin	2	2
7	ESL12672	N-605545-S36	Bolt (M10x25)	7	7
8	ESL13066	26-70313-AA	Plug	1	1
9	ESL12938	26-70179-AA	Bearing	2	2
10	ESL13067	26-70374-AA	PTO Output Shaft	1	1
11	ESL13068	26-70295-AA	Bearing	2	2
12	ESL13069	26-70375-AA	PTO Shaft	1	1



**PTO (540 RPM)**

ITEM	LONG No.	VENDOR No.	DESCRIPTION	QTY.	
				70	80
1	ESL13336	25-92187-AA	Cap PTO	1	1
2	ESL13337	25-92188-AA	Guard PTO	1	1
3	ESL13338	25-92189-AA	Plate, Cap Mounting PTO	1	1
4	ESL12653	N-601796-S36	Bolt (M12x1.75-25)	4	4
5	ESL12652	N-630076-S36	Washer (M12)	2	2

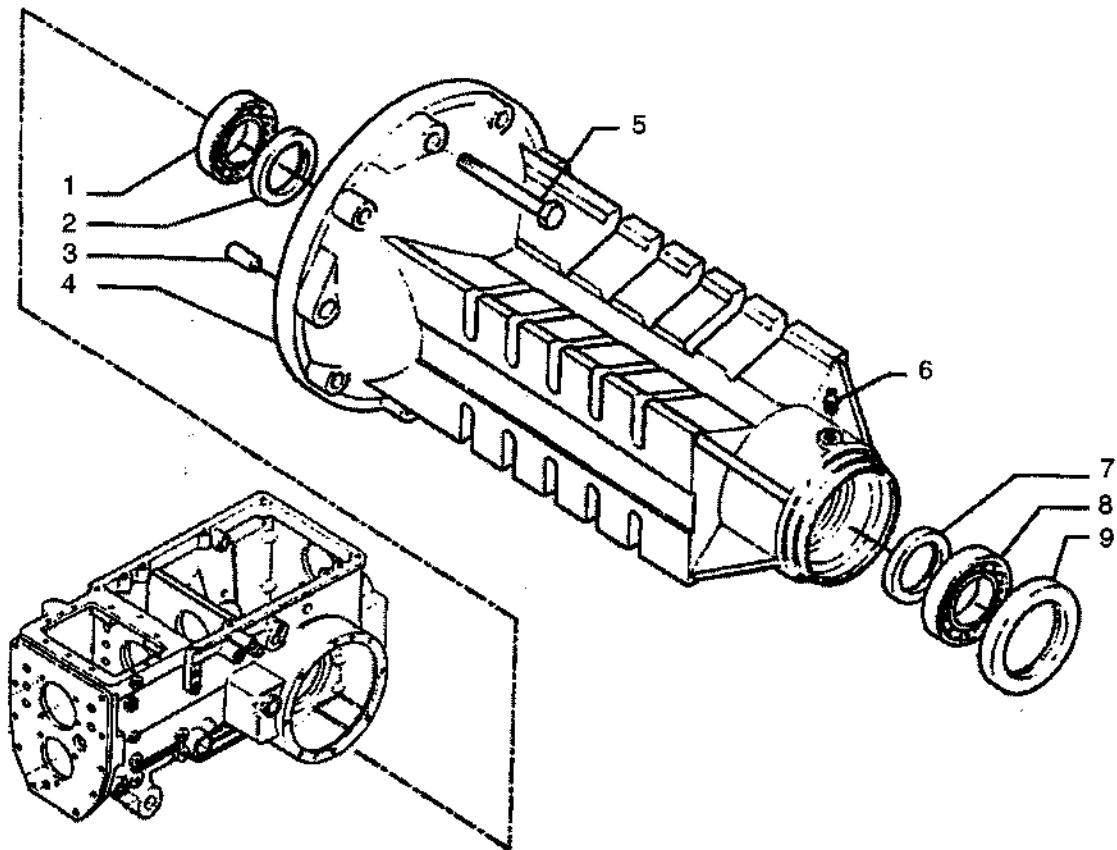




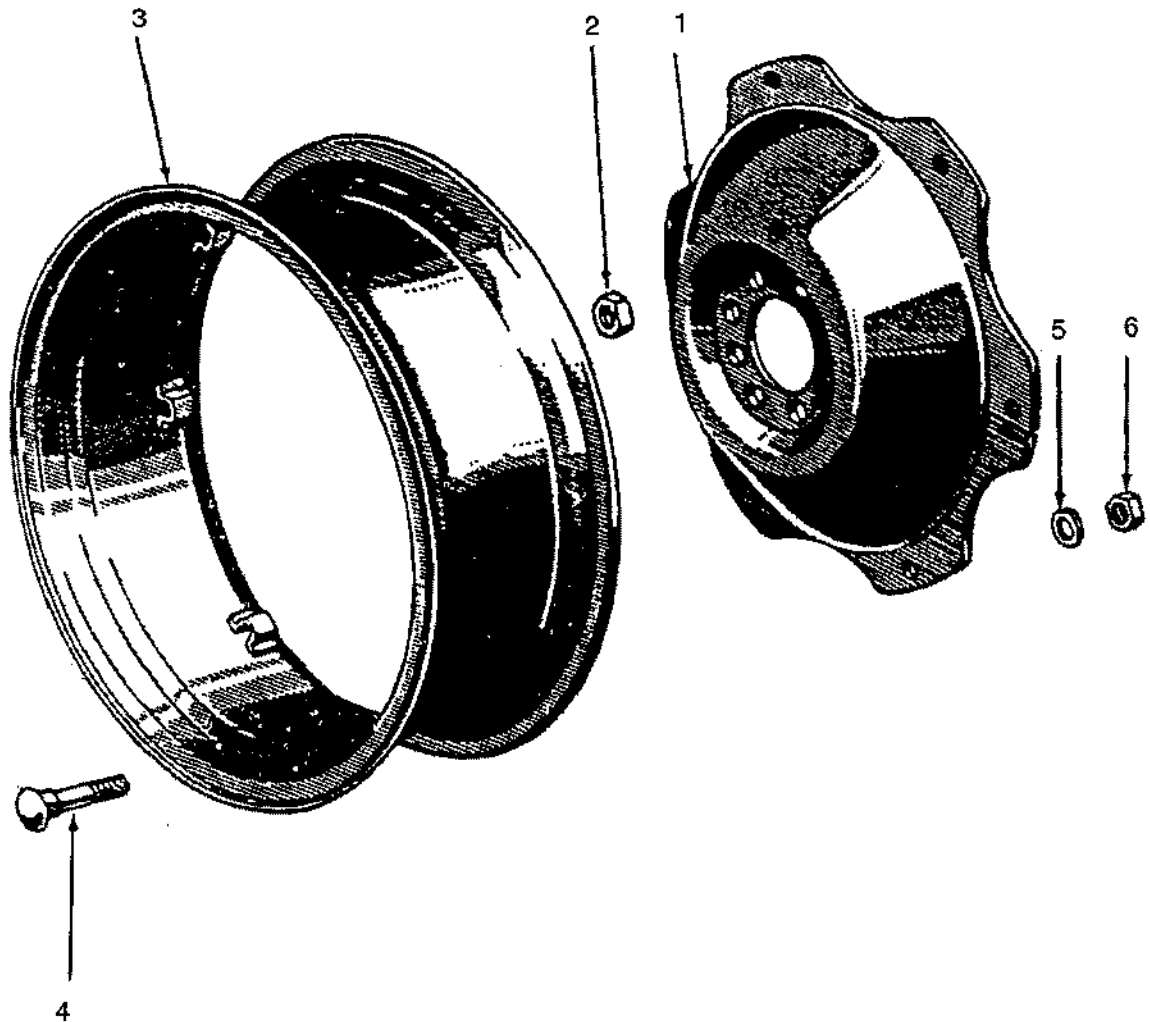


ITEM	LONG No.	VENDOR No.	DESCRIPTION	QTY.	
				70	80
1	ESL13073	26-70324-AA	Half Shaft with Gear (Z-14)	2	2
2	ESL13074	26-70325-AA	O'Ring	4	4
3	ESL13075	26-70326-AA	Epicyclic Ring Gear (Z-82)	2	2
4	ESL13076	26-70327-AA	Needle Bearing	6	6
5	ESL13077	26-70328-AA	Bolt (M10x35)	6	6
6	ESL13078	26-70329-AA	Washer	6	6
7	ESL13079	26-70330-AA	Bearing	12	12
8	ESL13080	26-70331-AA	Epicyclic Gear (Z-33)	6	6
9	ESL13081	26-70332-AA	Planetary Carrier Assembly (Includes Items #4-8)	2	2
10	ESL13082	26-70333-AA	Bolt, Rear Wheel	16	16
11	ESL13083	26-70334-AA	Wheel Shaft Assembly	2	2
12	ESL13084	26-70335-AA	Lock Ring	2	2
13	ESL13085	26-70336-AA	Stop Screw	2	2
14	ESL13086	26-70337-AA	Special Bolt (M16x2)	2	2
15	ESL13087	26-70338-AA	Washer	2	2
16	ESL13088	26-70339-AA	Shim (0.1mm)	AR	AR
-	ESL13089	26-70339-BA	Shim (0.3mm)	AR	AR
-	ESL13090	26-70339-CA	Shim (0.5mm)	AR	AR
-	ESL13091	26-70339-DA	Shim (0.05mm)	AR	AR
17	ESL13092	25-22120-BA	Nut, Wheel Bolt Rear	16	16
18	ESL13093	26-70340-AA	Seal	2	2
19	ESL13094	26-70341-AA	Bush	2	2
20	ESL12993	26-70322-AA	Bearing	2	2

ITEM	LONG No.	VENDOR No.	DESCRIPTION	QTY.	
				70	80
1	ESL12986	26-70316-AA	Bearing	2	2
2	ESL12987	26-70315-AA	Seal	2	2
3	ESL12988	26-70317-AA	Pin (D15x75)	4	4
4	ESL12989	26-70318-AA	Trumpet Housing Kit (Includes Items #1-3, 6-9)	2	2
5	ESL12990	26-70319-AA	Bolt (M14x100)	16	16
6	ESL12991	26-70320-AA	Grease Nipple (M8x1)	2	2
7	ESL12992	26-70321-AA	Seal	2	2
8	ESL12993	26-70322-AA	Bearing	2	2
9	ESL12994	26-70323-AA	Seal	2	2



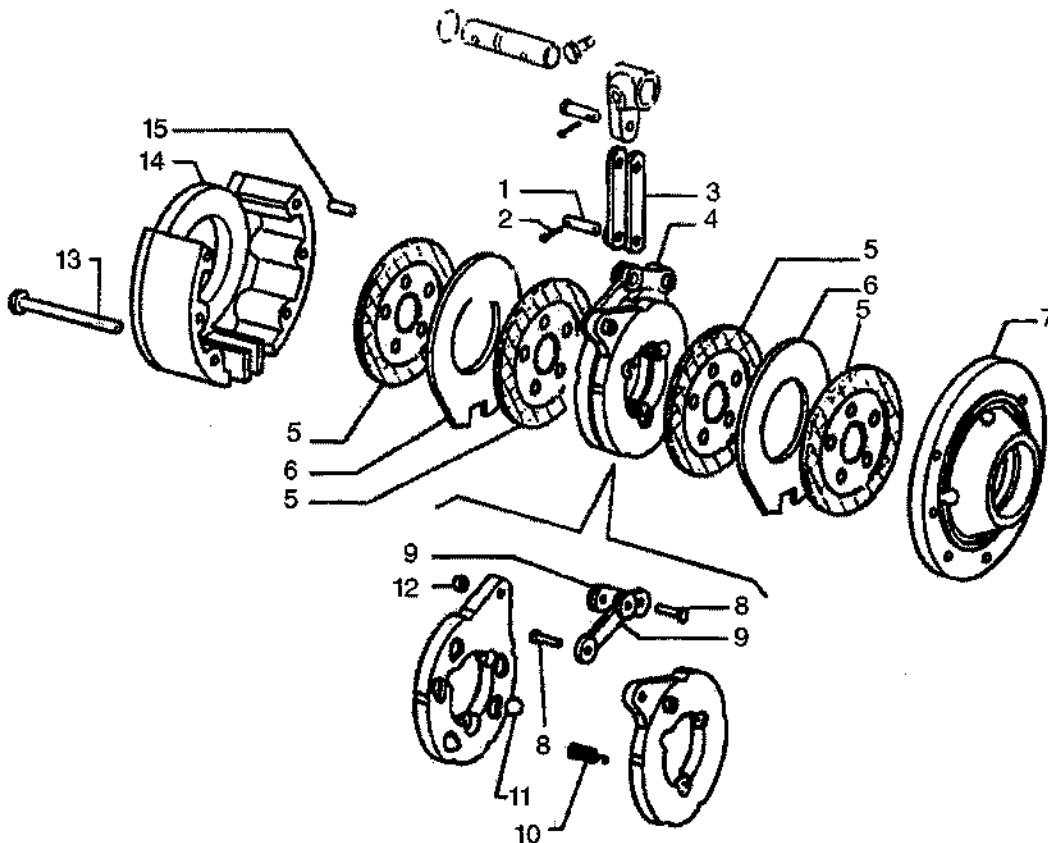
ITEM	LONG No.	VENDOR No.	DESCRIPTION	QTY.	
				70	80
-	ESL12503	28-02100-AA	Wheel Assembly, Rear	2	-
-	ESL12502	25-02100-AA	Wheel Assembly, Rear	-	2
1			Disc, Rear Wheel (NSS)	2	2
2	ESL13092	25-22120-BA	Nut, Wheel Bolt Rear	16	16
3			Rim, Rear Wheel (NSS)	2	2
4	ESL13433	25-02112-AA	Bolt, Rear Wheel Rim to Disc	12	12
5	ESL13434	25-02113-AA	Washer	12	12
6	ESL13435	25-02114-AA	Nut, Disc to Rim	12	12



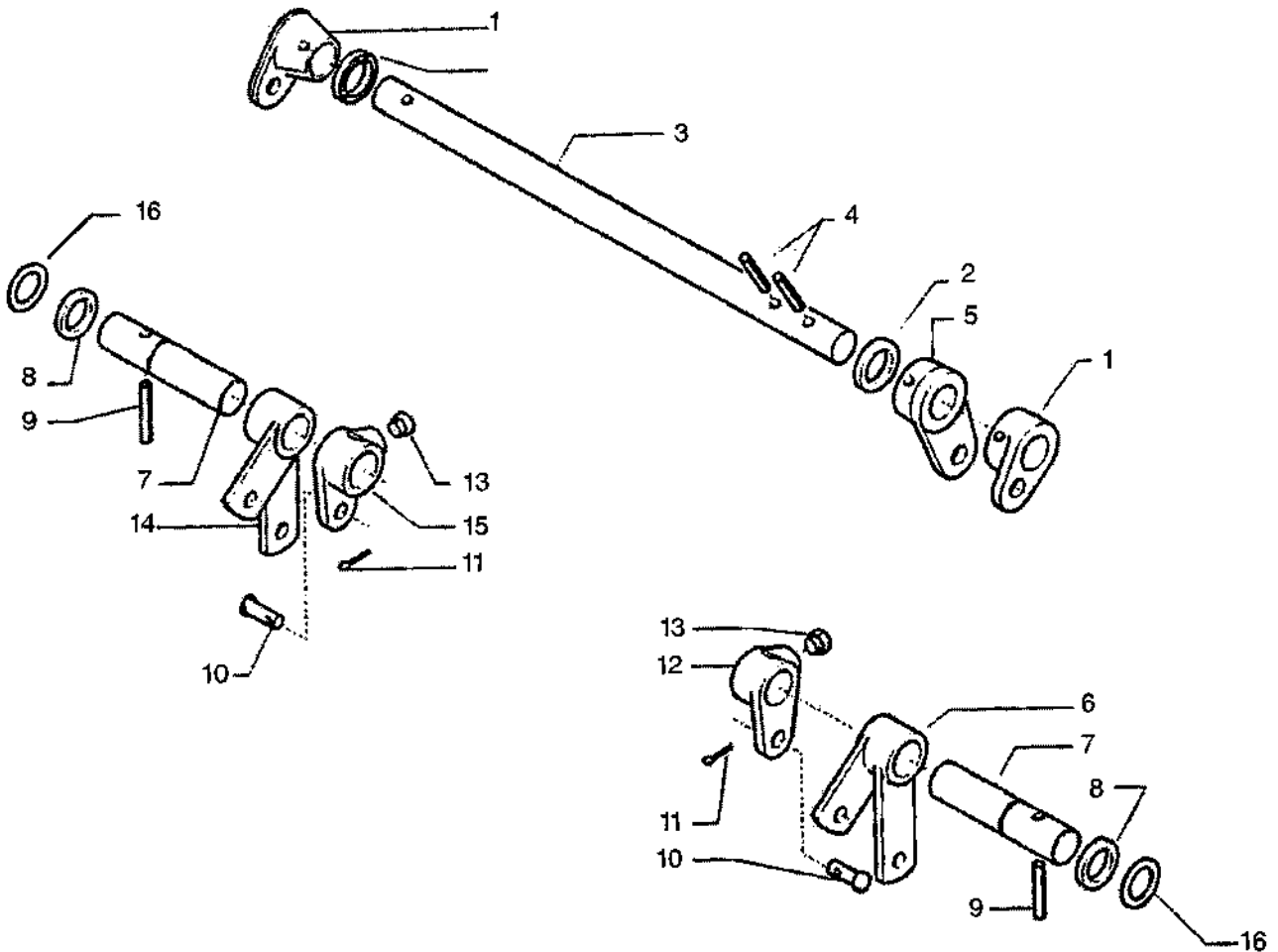
# Notes

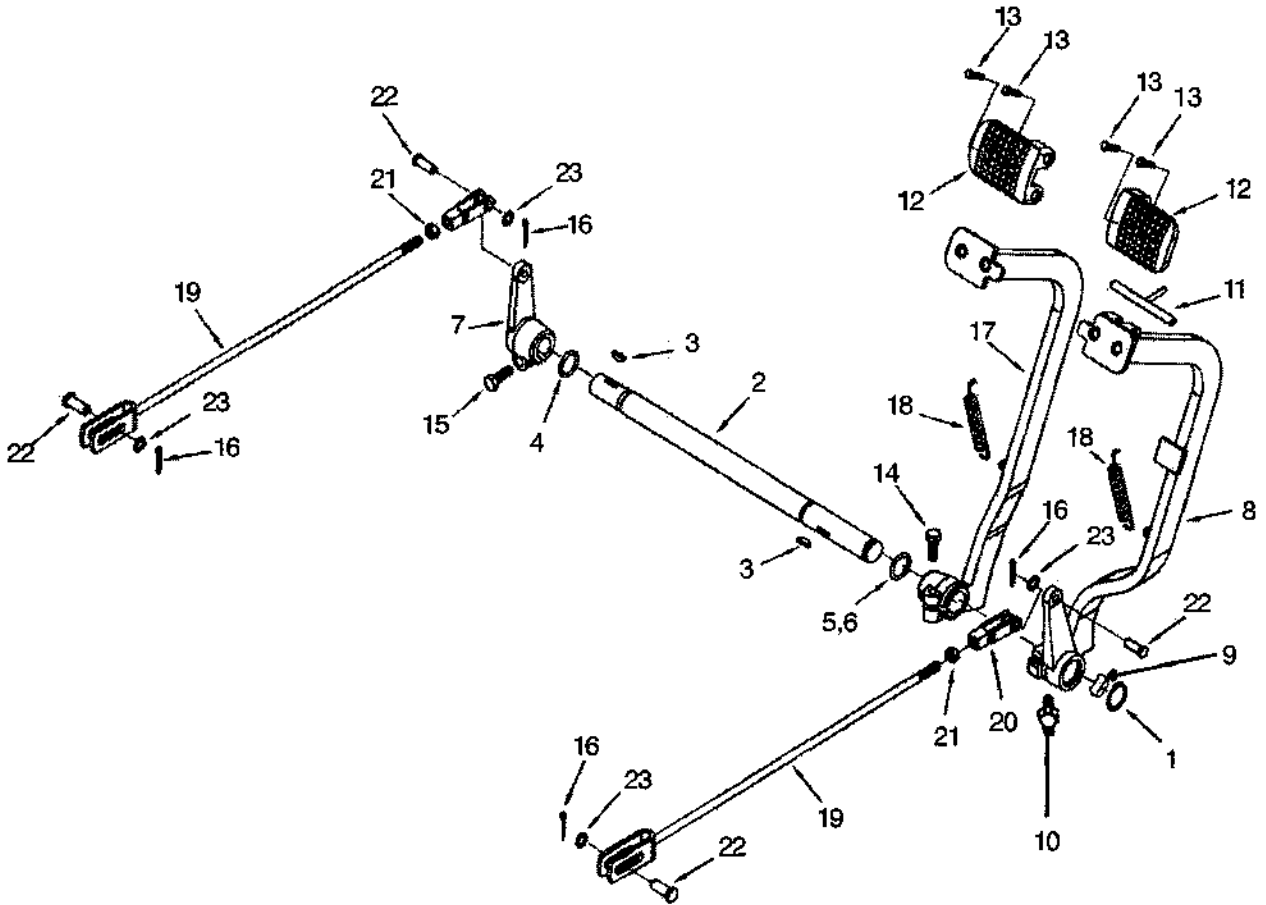
# ***BRAKE SYSTEM***

ITEM	LONG No.	VENDOR No.	DESCRIPTION	QTY.	
				70	80
1	ESL13097	26-70342-AA	Pin (D11)	2	2
2	ESL13098	26-70343-AA	Split Pin (D3.2x32)	2	2
3	ESL13099	26-70344-AA	Tie Bar	2	2
4	ESL13100	26-70345-AA	Brake Mechanism (Includes Items #8-12)	2	2
5	ESL13101	26-70346-AA	Brake Disc	8	8
6	ESL13102	26-70347-AA	Brake Drive Plate	4	4
7	ESL13103	26-70348-AA	Support Flange	2	2
8	ESL13686	26-70350-AA	Bolt	4	4
9	ESL13339	26-70349-AA	Tie Rod	4	4
10	ESL13340	26-70351-AA	Spring	6	6
11	ESL13341	26-70352-AA	Ball	10	10
12	ESL13436	26-70353-AA	Nut	4	4
13	ESL13104	26-70354-AA	Bolt (M12x110)	10	10
14	ESL13105	26-70355-AA	Brake Flange	2	2
15	ESL13106	26-70356-AA	Pin (D12x50)	4	4



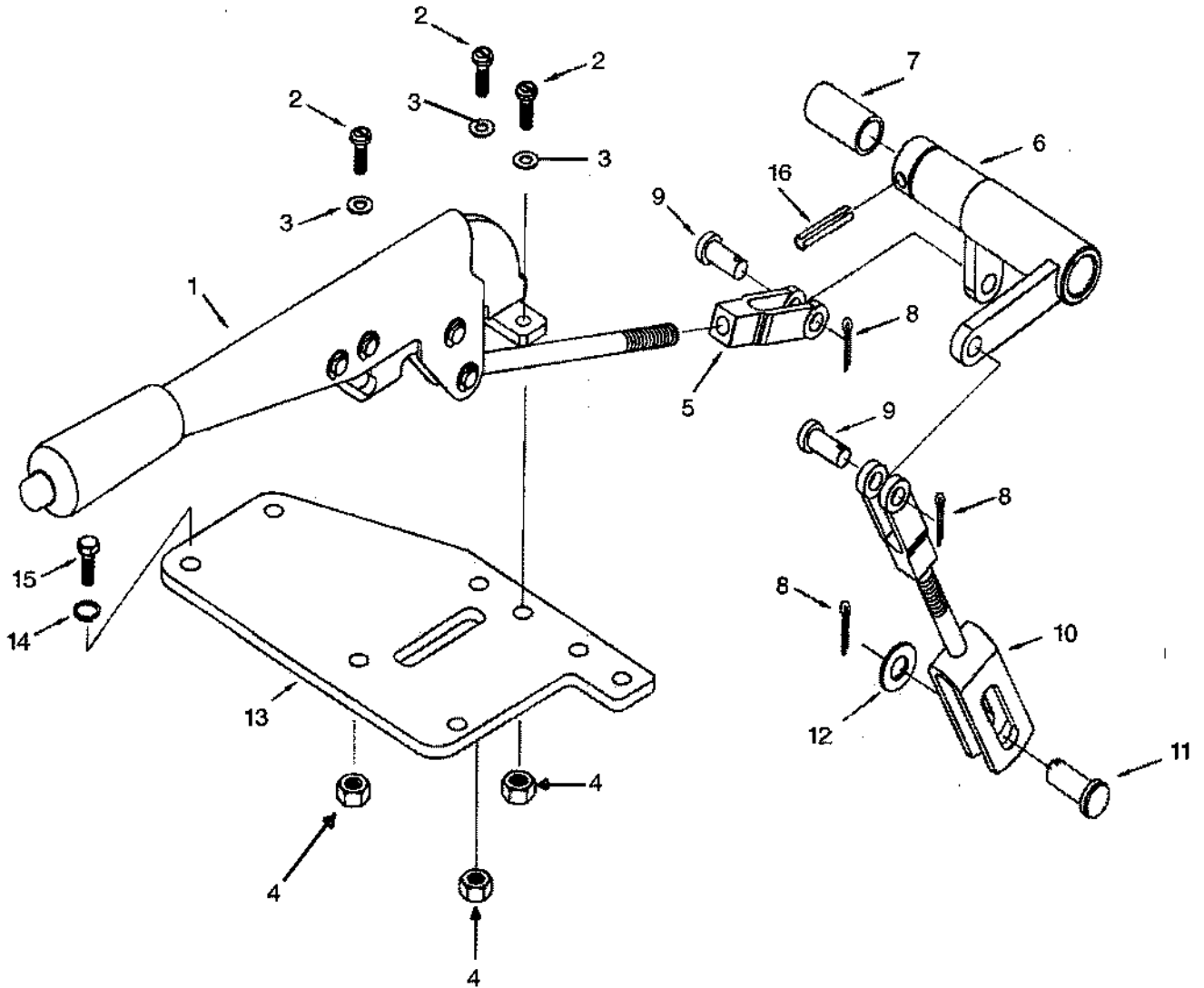
ITEM	LONG No.	VENDOR No.	DESCRIPTION	QTY.	
				70	80
1	ESL13124	26-70357-AA	Brake Lever	2	2
2	ESL12929	26-70171-AA	Oil Seal	2	2
3	ESL13125	26-70359-AA	Hand Brake Shaft	1	1
4	ESL13126	26-70360-AA	Pin (D.8x36)	3	3
5	ESL13127	26-70361-AA	Hand Brake Lever	1	1
6	ESL13128	26-70362-AA	Brake Lever, LH	1	1
7	ESL13129	26-70363-AA	Brake Shaft	2	2
8	ESL13130	26-70364-AA	Seal Ring	2	2
9	ESL13131	26-70365-AA	Pin (10x45)	2	2
10	ESL13132	26-70366-AA	Pin (D11)	2	2
11	ESL13098	26-70343-AA	Pin (3.2x32)	2	2
12	ESL13133	26-70368-AA	Lever	1	1
13	ESL13134	26-70369-AA	Special Bolt	2	2
14	ESL13135	26-70370-AA	Brake Lever, RH	1	1
15	ESL13136	26-70371-AA	Lever, LH	1	1
16	ESL13137	26-70372-AA	Thrust Washer	2	2







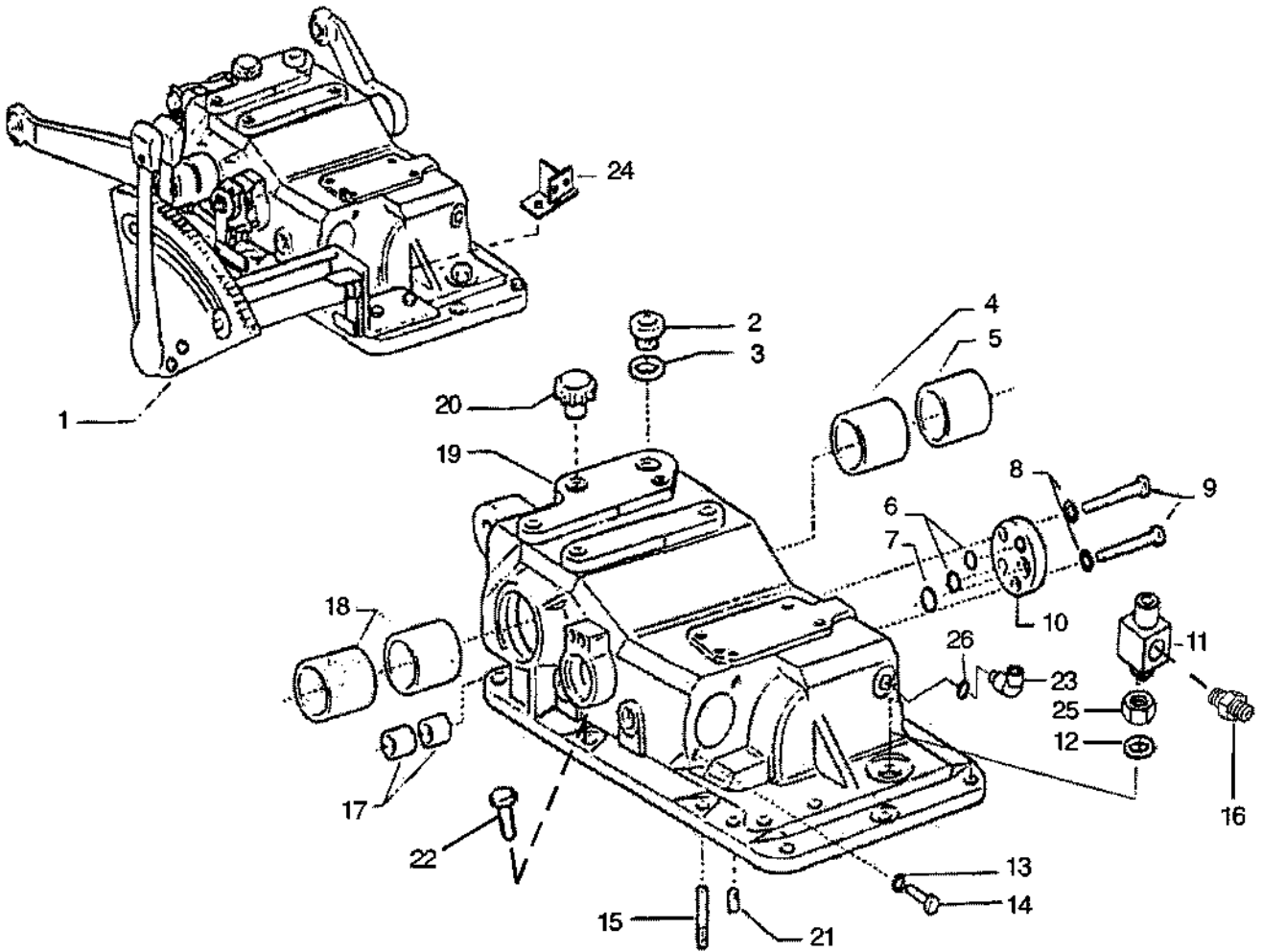
ITEM	LONG No.	VENDOR No.	DESCRIPTION	QTY.	
				70	80
1	ESL10983	E27N-7547	Lock Ring	1	1
2	ESL13107	25-22337-AB	Shaft Brake Cross	1	-
-	ESL13108	30-22337-AB	Shaft Brake Cross	-	1
3	ESL13304	74181-S	Key (1/2x7/8)	2	2
4	ESL11700	C5NN-2N547-B	Washer Brake Cross Shaft	3	3
5	ESL13109	87054-S92	O'Ring	1	-
-	ESL13110	30-22106-AA	O'Ring	-	2
6	ESL11238	87055-S94	Seal (1.25IOx0.139W) (NI)	3	-
-	ESL13111	30-22055-BB	O'Ring	-	2
7	ESL13112	25-22511-AB	Lever, Brake Operating, LH	1	-
-	ESL13113	30-22338-AB	Lever, Brake Operating, LH	-	1
8	ESL13114	25-22460-DA	Pedal Assembly Brake, RH	1	-
-	ESL13115	30-22460-BA	Pedal Assembly Brake, RH	-	1
9	ESL13116	87NH-2461-AA	Bush, Brake Pedal	1	1
10	ESL10868	87907-S36	Grease Nipple (1/4-2B UNF)	1	1
11	ESL13117	25-22455-AA	Latch Rod	1	1
12	ESL12798	25-75130-BA	Pedal	2	2
13	N-600212-S8	N-600212-S36	Bolt (M8x1.25x35)	4	4
14	304743-S8	304743-S36	Bolt, Hex (7/16-14x1.38)	1	1
15	58655-S8	58655-S36	Bolt, Hex (7/16-14x1.50)	1	1
16	ESL12805	N-642567-S8	Pin Cotter	4	4
17	ESL13118	25-22190-DB	Pedal Assembly Brake, LH	1	-
-	ESL13119	30-22190-BB	Pedal Assembly Brake, LH	-	1
18	ESL13342	C5NN-2472-B	Spring, Brake Pedal Return	2	-
19	ESL13120	25-22470-AA	Rod & Clevis Assembly, Brake Linkage (Includes Items #20-21)	2	-
-	ESL13121	30-22470-AA	Rod & Clevis Assembly, Brake Linkage (Includes Items #20-21)	-	2
20	97013-S8	97013-S36	Clevis	2	-
-	ESL13122	30-22598-AA	Clevis	-	2
21	33925-S8	33925-S36	Nut (3/8-24)	2	2
22	ESL13123	N-642822-S36	Pin, Clevis	4	4
23	N-630070-S8	N630070-S36	Washer	4	4



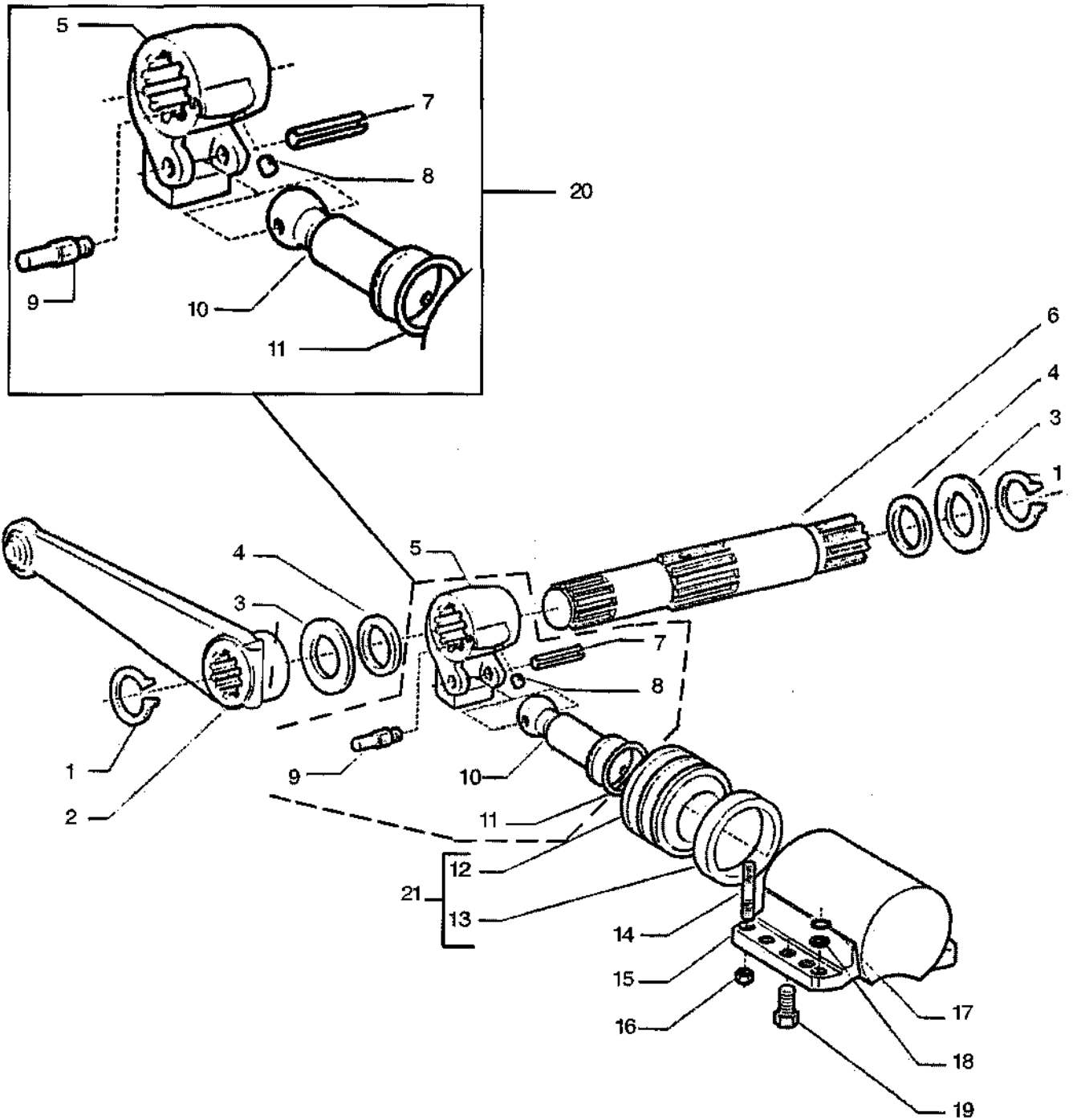
ITEM	LONG No.	VENDOR No.	DESCRIPTION	QTY.	
				70	80
1	ESL13138	25-22220-BA	Lever Assembly, Hand Brake	1	1
2	ESL12724	N-605518-S36	Bolt (M6)	3	3
3	N-630067-S8	N-630067-S36	Washer (M6)	3	3
4	N-620012-S8	N-630012-S36	Nut (M6)	3	3
5	97013-S8	97013-S36	Clevis	1	1
6	ESL13140	25-22226-CB	Extention Shaft, Parking Brake	1	1
7	ESL13437	25-75162-AA	Bush	1	1
8	72017-S8	72017-S36	Pin, Cotter	3	3
9	73979-S8	73919-S36	Pin, Clevis	2	2
10	ESL13141	25-22510-AA	Rod & Clevis Assembly	2	2
11	ESL13123	N-642822-S36	Pin, Clevis	1	1
12	N-630070-S8	N-630070-S36	Washer, Plain	1	1
13	ESL13142	25-22225-CA	Bracket, Lever Mounting Parking Brake	1	1
14	N-630173-S8	N-630173-S36	Washer (M8)	2	2
15	N-605531-S8	N-605531-S36	Bolt (M8x1.25x20)	2	2
16	ESL13143	N-646632-S36	Pin, Spring	1	1

# Notes

# ***HYDRAULIC SYSTEM***



ITEM	LONG No.	VENDOR No.	DESCRIPTION	QTY.	
				70	80
1	ESL13144	25-05050-AA	Hydraulic Lift Assembly	1	1
2	ESL13145	26-05529-AA	Plug (1/2")	1	1
3	ESL13146	26-05542-AA	Washer	1	1
4	ESL13147	26-05456-AA	Bush	1	1
5	ESL13148	26-05454-AA	Bush	1	1
6			O'Ring (NSS)	2	2
7			O'Ring (NSS)	1	1
8	ESL13149	26-05413-AA	Spring Washer	2	2
9	ESL13150	26-05403-AA	Bolt (M10x35)	2	2
10	ESL13151	26-05452-AA	Flange	1	1
11	ESL12747	25-96041-AA	Adapter Return Assembly	1	1
12	ESL13153	26-05415-AA	Copper Washer	1	1
13	ESL12829	N-630028-S36	Spring Washer	2	2
14	ESL13154	26-05401-AA	Bolt (M8-35)	2	2
15	ESL13155	26-05530-AA	Stud (M14x61)	6	6
16	ESL11257	86301-S36	Adapter	1	1
17	ESL13157	26-05531-AA	Bush	2	2
18	ESL13158	26-05439-AA	Bush	2	2
19			Lift Body Assembly (NSS)	1	1
20	ESL13159	26-05423-AA	Plug, Vent	1	1
21	ESL13160	26-05565-AA	Dowel Pin	2	2
22	ESL13161	26-05568-AA	Bolt (M12x30)		
23	ESL13643	25-05327-AA	Elbow	1	1
24	ESL13163	25-05120-AC	Bracket Assembly, Lever Guide	1	1
25	ESL13164	25-06042-AA	Lock Nut	1	1
26	ESL10021	86483-S95	O'Ring	1	1
27	ESL13156	26-05563-AA	Seal Kit (Consists of Items #6-7)	1	1

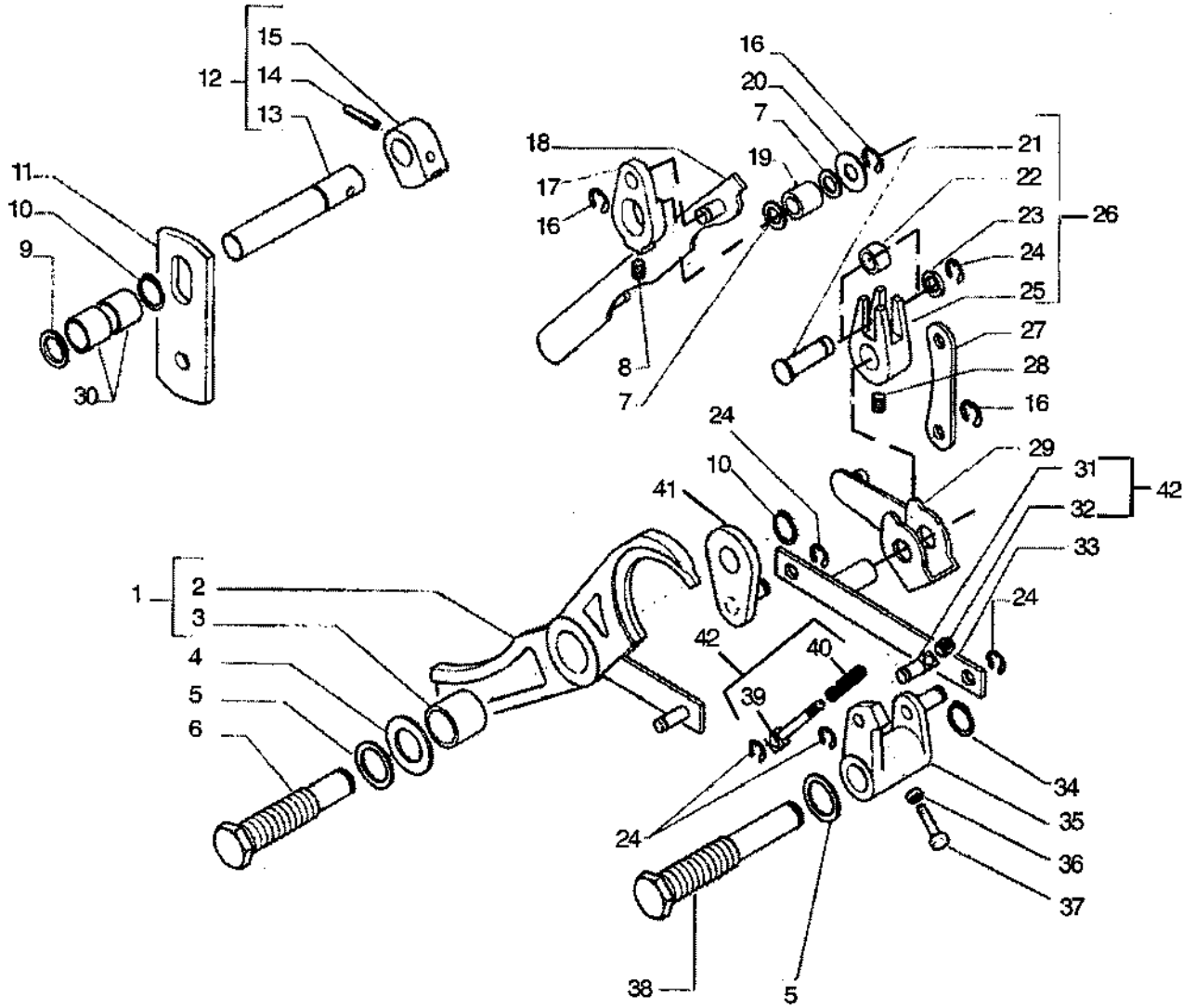


**RAM CYLINDER**



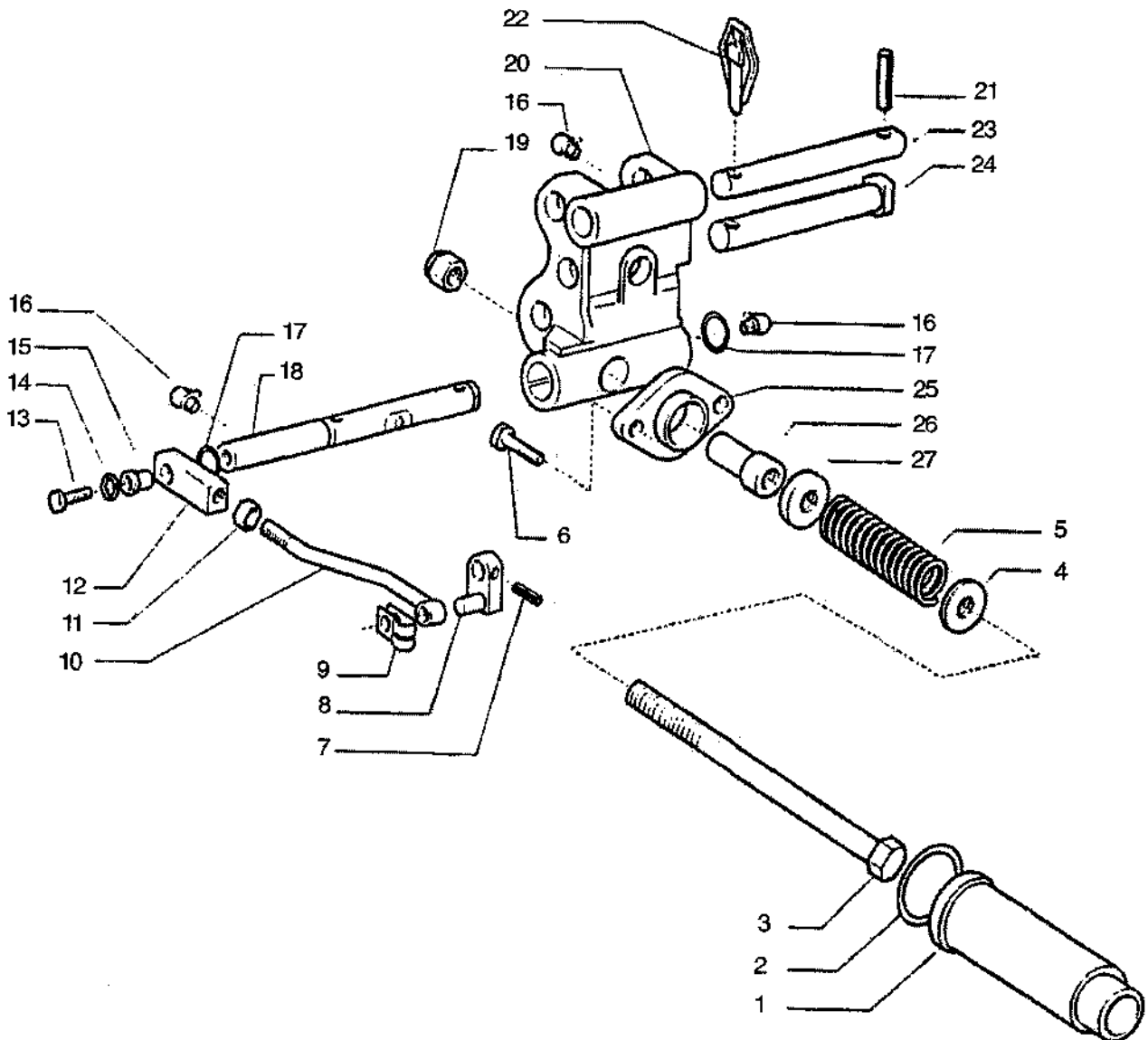


ITEM	LONG No.	VENDOR No.	DESCRIPTION	QTY.	
				70	80
1	ESL13166	26-05419-AA	Snap Ring (D55)	2	2
2	ESL13167	26-05569-AA	Lifting Arm	2	2
3	ESL13168	26-05487-AA	Spacer	2	2
4	ESL13169	26-05488-AA	Oil Seal	2	2
5			Lever (NSS)	1	1
6	ESL13170	26-05510-AA	Lifting Shaft	1	1
7	ESL13171	26-05553-AA	Pin (D10x65)	1	1
8	ESL13172	26-05533-AA	Grub Screw (M10x20)	1	1
9	ESL13173	26-05509-AA	Pin	1	1
10			Connecting Rod (NSS)	1	1
11	ESL13174	26-05440-AA	O'Ring	1	1
12			Piston (NSS)	1	1
13	ESL13175	26-05532-AA	Piston Packing	1	1
14	ESL13155	26-05530-AA	Stud (M14x61)	6	6
15	ESL13176	26-05505-AA	Cylinder	1	1
16	ESL13177	26-05404-AA	Nut (M14)	6	6
17	ESL13178	26-05455-AA	O'Ring	2	2
18	ESL13179	26-05441-AA	Ring	2	2
19	ESL13180	26-05405-AA	Bolt (M14x35)	2	2
20	ESL13181	26-05564-AA	Kit Connecting Rod & Lever (Consists of Items #5,7-11)	1	1
21	ESL13182	26-05438-AA	Piston & Ring Assembly (Consists of Items #12-13)	1	1

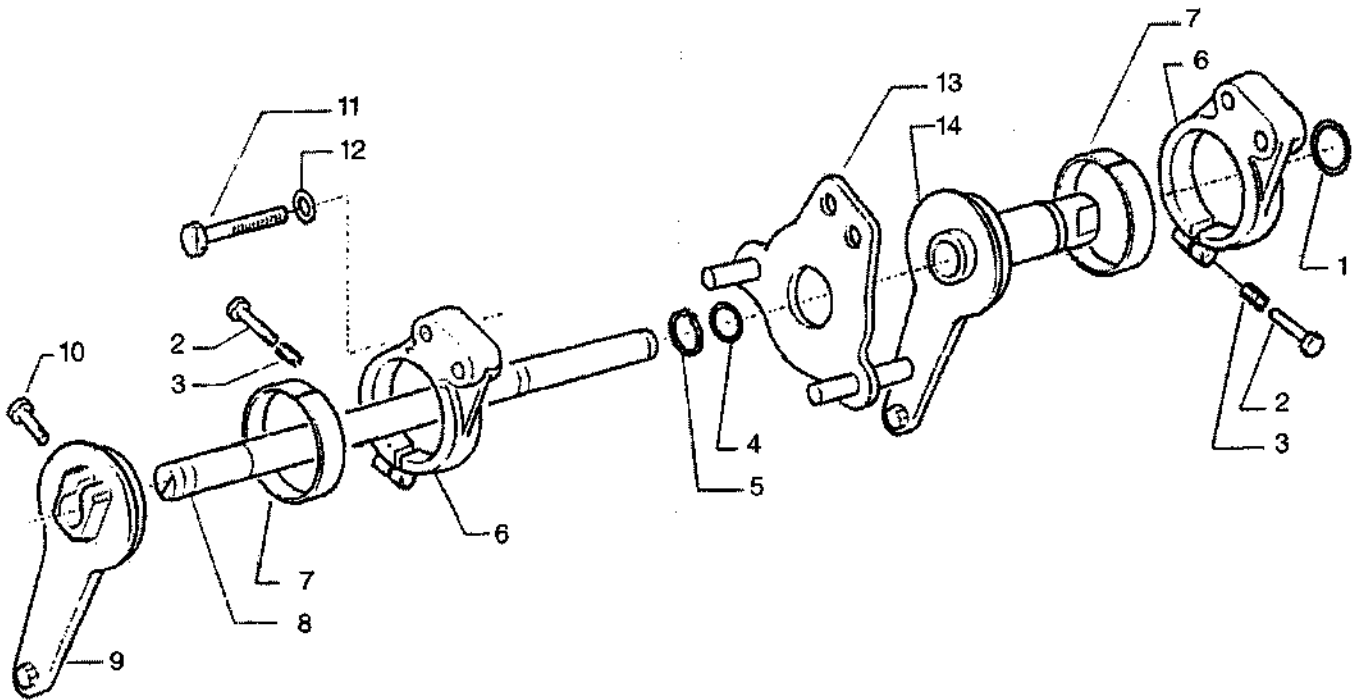




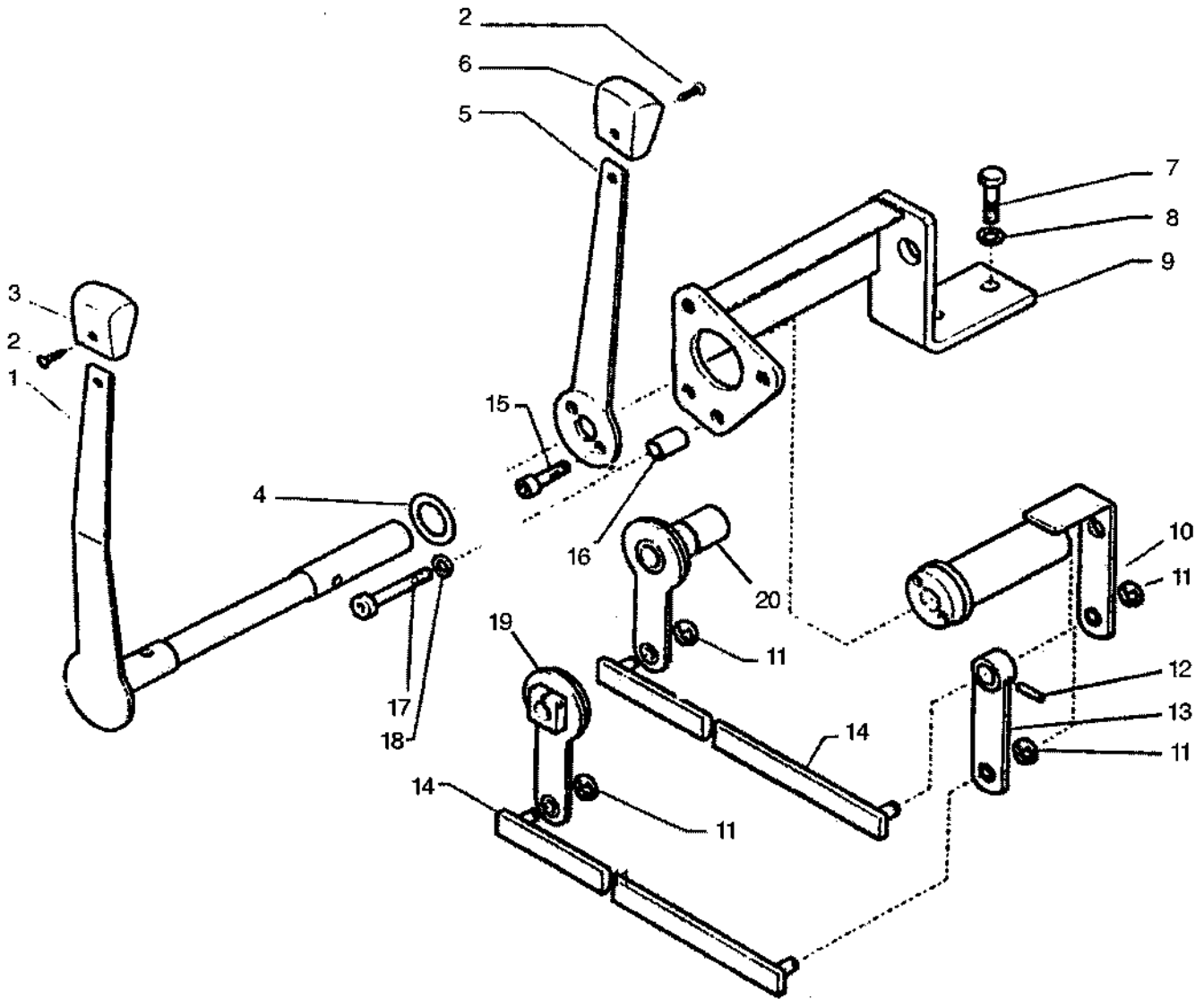
ITEM	LONG No.	VENDOR No.	DESCRIPTION	QTY.	
				70	80
1	ESL13183	26-05434-AA	Equalizer Assembly (Includes Items #2-3)	1	1
2			Equalizer (NSS)	1	1
3	ESL13352	26-05472-AA	Bearing	1	1
4	ESL13184	26-05480-AA	Washer	1	1
5	ESL13153	26-05415-AA	Washer	2	2
6	ESL13185	26-05486-AA	Support Pin	1	1
7	ESL13186	26-05478-AA	Washer	2	2
8	ESL13187	26-05475-AA	Grub, Screw (M8x9)	1	1
9	ESL13188	26-05473-AA	Sealing Ring	1	1
10	ESL13189	26-05418-AA	Snap Ring (D16)	2	2
11	ESL13190	26-05474-AA	Plate	1	1
12	ESL13191	26-05436-AA	Cam Assembly (Consists of Items #13-15)	1	1
13			Shaft (NSS)	1	1
14	ESL13192	26-70228-AA	Pin (D6x35)	1	1
15			Cam (NSS)	1	1
16	ESL12874	26-70136-AA	Snap Ring	3	3
17	ESL13193	26-05476-AA	Cam	1	1
18	ESL13199	26-05435-AA	Plate Assembly (Includes Items #7,16,19-20)	1	1
19			Roller (NSS)	1	1
20	ESL13687	26-05414-AA	Washer	1	1
21			Pin (NSS)	1	1
22			Roller (NSS)	1	1
23	ESL13688	26-05442-AA	Washer	1	1
24	ESL13194	26-05424-AA	Snap Ring	5	5
25			Connecting Rod (NSS)	1	1
26	ESL13195	26-05437-AA	Connecting Rod Assembly (Includes Items #21-25)	1	1
27	ESL13196	26-05513-AA	Link Rod	1	1
28	ESL13197	26-05484-AA	Grub Screw (M8x12)	1	1
29	ESL13198	26-05514-AA	Cam	1	1
30	ESL13157	26-05531-AA	Bush	2	2
31			Shaft (NSS)	1	1
32	N-620012-S8	N-620012-S36	Nut (M6)	1	1
33	ESL13200	26-05516-AA	Plate	1	1
34	ESL12808	N-661211-S	Snap Ring	1	1
35	ESL13201	26-05517-AA	Lever	1	1
36	N-620013-S8	N-620013-S36	Nut (M8)	1	1
37	ESL12865	26-70127-AA	Boft (M8x25)	1	1
38	ESL13202	26-05518-AA	Support Pin	1	1
39			Pin (NSS)	1	1
40			Spring (NSS)	1	1
41	ESL13203	26-05521-AA	Shakle	1	1
42	ESL13204	26-05543-AA	Pin & Spring Assembly (Includes of Items #31-32,39-40)	1	1



ITEM	LONG No.	VENDOR No.	DESCRIPTION	QTY.	
				70	80
1	ESL13205	26-05464-AA	Spring Cover	1	1
2	ESL13206	26-05465-AA	O'Ring	1	1
3	ESL13207	26-05534-AA	Rod	1	1
4	ESL13208	26-05466-AA	Washer	1	1
5	ESL13209	26-05558-AA	Spring	1	1
6	N-605559-S8	N-605559-S36	Bolt (M12x30)	2	2
7	ESL13059	26-70292-AA	Pin (D5x25)	1	1
8	ESL13210	26-05557-AA	Lever	1	1
9	ESL13211	26-05469-AA	Lock Washer	1	1
10	ESL13212	26-05522-AA	Rod	1	1
11	34053-S8	34053-S36	Nut (M10)	1	1
12	ESL13213	26-05470-AA	Plate	1	1
13	ESL13154	26-05401-AA	Bolt (M8x35)	1	1
14	N-630173-S8	N-630173-S36	Spring Washer	1	1
15	ESL13214	26-05471-AA	Bush	1	1
16	ESL13215	26-05453-AA	Grease Nipple (M10x1)	3	3
17	ESL13216	26-05422-AA	O'Ring	2	2
18	ESL13207	26-05534-AA	Shaft	1	1
19	ESL13177	26-05404-AA	Nut (M12)	1	1
20	ESL13217	26-05432-AA	Bracket -3rd Point	1	1
21	ESL13192	26-70228-AA	Pin (D6x35)	2	2
22	ESL13218	26-05566-AA	Lock Pin (D10)	2	2
23	ESL13219	26-05555-AA	Pin - 3rd Point	1	1
24	ESL13220	26-05559-AA	Pin - 3rd Point	1	1
25	ESL13221	26-05467-AA	Flange	1	1
26	ESL13222	26-05556-AA	Bush	1	1
27	ESL13223	26-05468-AA	Washer	1	1



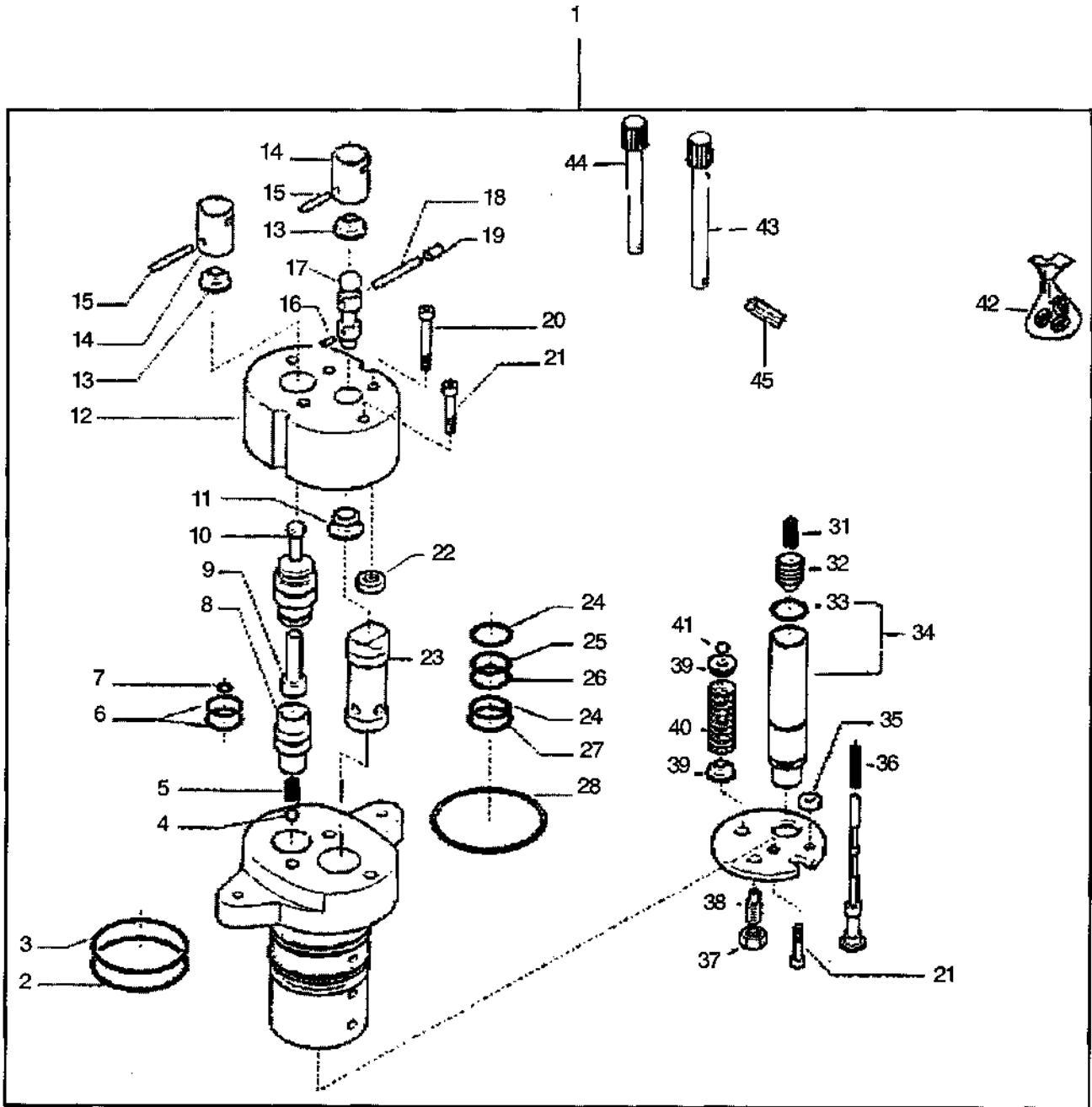
ITEM	LONG No.	VENDOR No.	DESCRIPTION	QTY.	
				70	80
1	ESL13224	26-05420-AA	O'Ring	1	1
2	ESL13225	26-05409-AA	Bolt (M6x40)	2	2
3	ESL13226	26-05461-AA	Spring	2	2
4	ESL13178	26-05455-AA	O'Ring	1	1
5	ESL12874	26-70136-AA	Snap Ring	1	1
6	ESL13228	26-05462-AA	Support	2	2
7	ESL13229	26-05458-AA	Clutch Ring	2	2
8	ESL13230	26-05524-AA	Position Drive Shaft	1	1
9	ESL13231	26-05525-AA	Lever	1	1
10	ESL13232	26-05410-AA	Bolt (M10x30)	1	1
11	ESL13233	26-05402-AA	Bolt (M8x55)	2	2
12	N-630173-S8	N-630173-S36	Spring Washer	2	2
13	ESL13236	26-05535-AA	Flange	1	1
14	ESL13235	26-05554-AA	Stress Drive Shaft	1	1







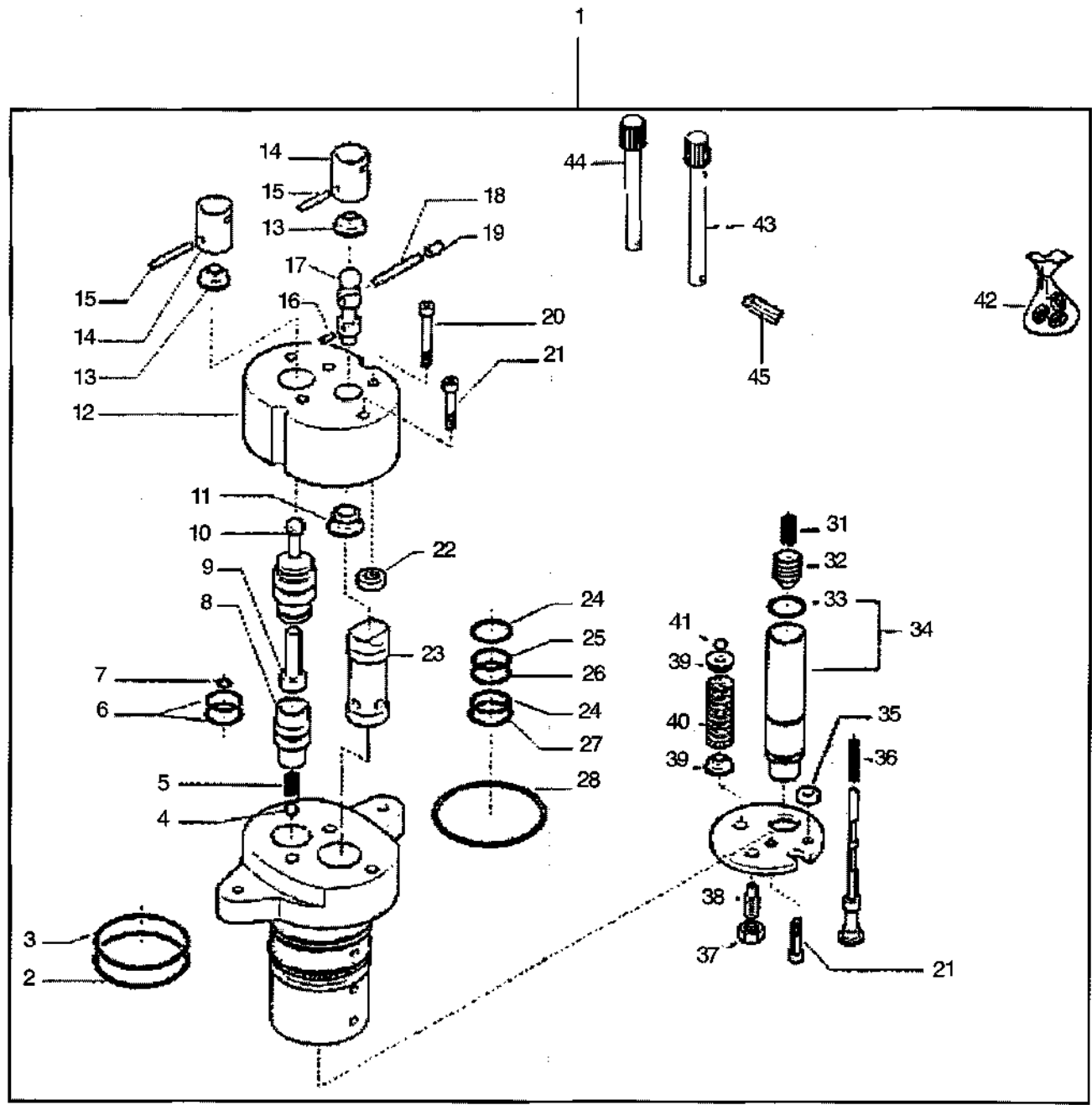
ITEM	LONG No.	VENDOR No.	DESCRIPTION	QTY.	
				70	80
1	ESL13236	26-05429-AA	Drive Lever	1	1
2	ESL13237	26-05546-AA	Screw (M3.5x13)	2	2
3	ESL13238	26-05553-BA	Knob (Yellow)	1	1
4	ESL13239	26-05548-AA	Washer	1	1
5	ESL13240	26-05428-AA	Drive Lever	1	1
6	ESL13241	26-05553-AB	Knob (Red)	1	1
7	ESL12672	N-605545-S36	Bolt (M10x25)	2	2
8	N-630174-S8	N-630174-S36	Spring Washer	2	2
9	ESL13242	26-05560-AA	Support	1	1
10	ESL13243	26-05527-AA	Drive Shaft	1	1
11	ESL13244	26-05561-AA	Snap Ring	4	4
12	ESL12880	26-70143-AA	Pin (D.6x25)	1	1
13	ESL13245	26-05528-AA	Lever	1	1
14	ESL13246	26-05562-AA	Rod	2	2
15	ESL12073	N-605517-S36	Bolt (M6x16)	2	2
16	ESL13247	26-05457-AA	Spacer	4	4
17	N-600212-S8	N-600212-S36	Bolt (M8x35)	4	4
18	N-630173-S8	N-630173-S36	Spring Washer	4	4
19	ESL13231	26-05525-AA	Lever	1	1
20	ESL13235	26-05554-AA	Stress Drive Shaft	1	1



\*NOTE: Item No. 29 and Item No. 30 do not show as such but the description on page 129 shows what these items consists of.

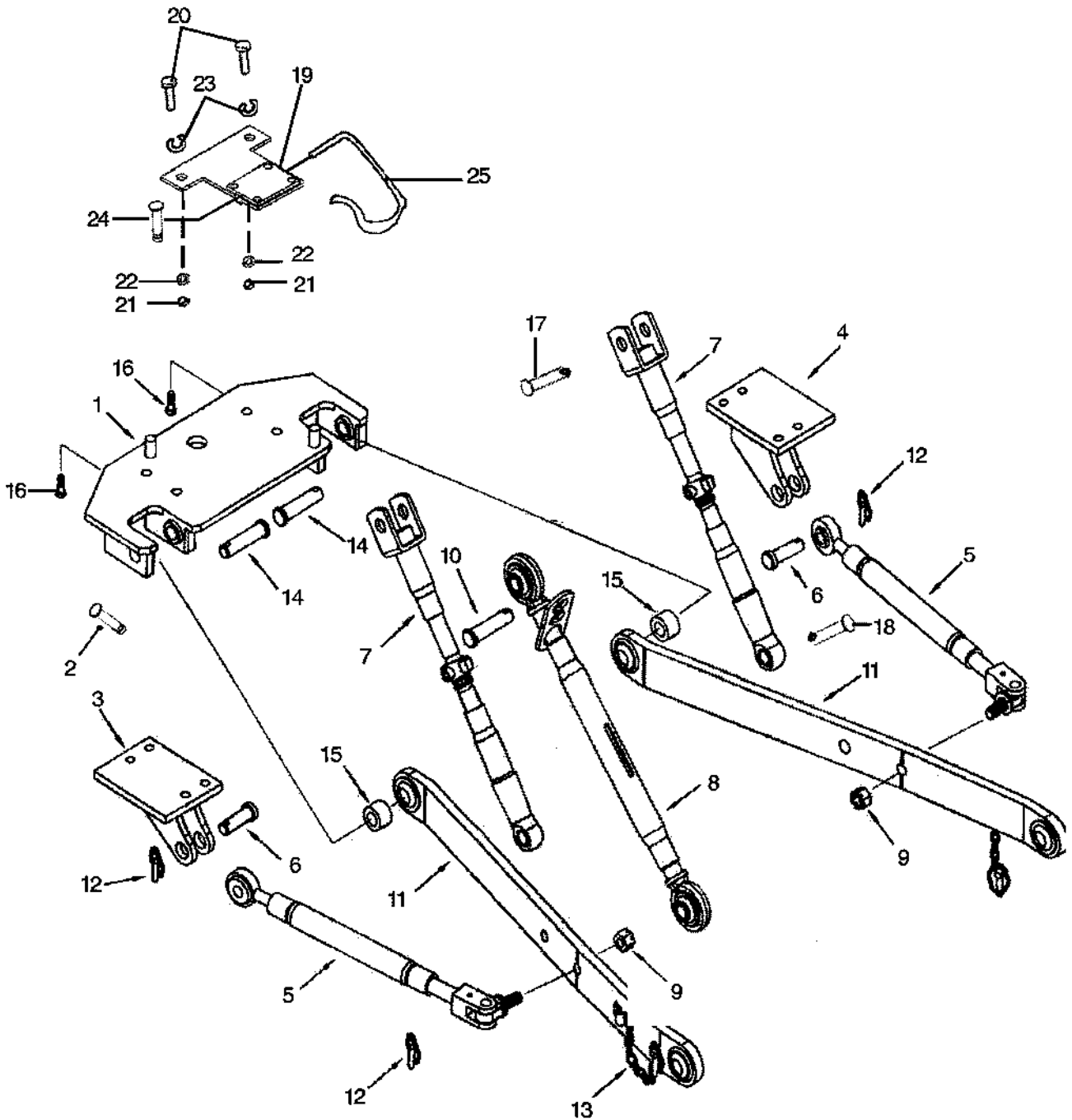


ITEM	LONG No.	VENDOR No.	DESCRIPTION	QTY.	
				70	80
1	ESL13248	26-05536-AA	Distributor, Assembly	1	1
2	ESL13363	26-05445-AA	Ring	1	1
3	ESL13364	26-05501-AA	O'Ring	2	2
4	ESL13365	26-05496-AA	Ball (1 1/32)	1	1
5	ESL13366	26-05495-AA	Spring	1	1
6			O'Ring (NSS)	2	2
7			O'Ring (NSS)	1	1
8			Seal, Block (NSS)	1	1
9			Piston (NSS)	1	1
10			Push Rod (NSS)	1	1
11			Ring Nut (NSS)	1	1
12			Cover (NSS)	1	1
13			Boot (NSS)	2	2
14	ESL13374	26-05539-AA	Joint	2	2
15	ESL13375	26-05416-AA	Pin	2	2
16			Pin (NSS)	2	2
17			Push Rod (NSS)	1	1
18			Pin (NSS)	1	1
19			Cap (NSS)	1	1
20	ESL12100	26-05407-AA	Bolt (M6x16)	2	2
21	ESL13380	26-05408-AA	Bolt (M6x25)	5	5
22			Bush (NSS)	2	2
23			Valve (NSS)	1	1
24			O'Ring (NSS)	2	2
25			Ring (NSS)	1	1
26			O'Ring (NSS)	1	1
27			Ring (NSS)	1	1
28			O'Ring (NSS)	1	1
29	ESL13249	26-05425-AA	Repair Kit, Sensitivity Regulation (Includes Items #11,13,16-17)	1	1
30	ESL13250	26-05494-AA	Repair Kit, Block Seat Assembly (Includes Items#6-8)	1	1
31			Spring (NSS)	1	1
32			Differential Valve (NSS)	1	1
33			O'Ring (NSS)	1	1
34	ESL13391	26-05426-AA	Differential Valve Seal Assembly (NSS)	1	1
35			Seat (NSS)	2	2
36			Spring (NSS)	1	1
37	ESL13394	26-05449-AA	Nut (M8)	2	2
38	ESL13395	26-05448-AA	Grub, Screw (M8x16)	2	2



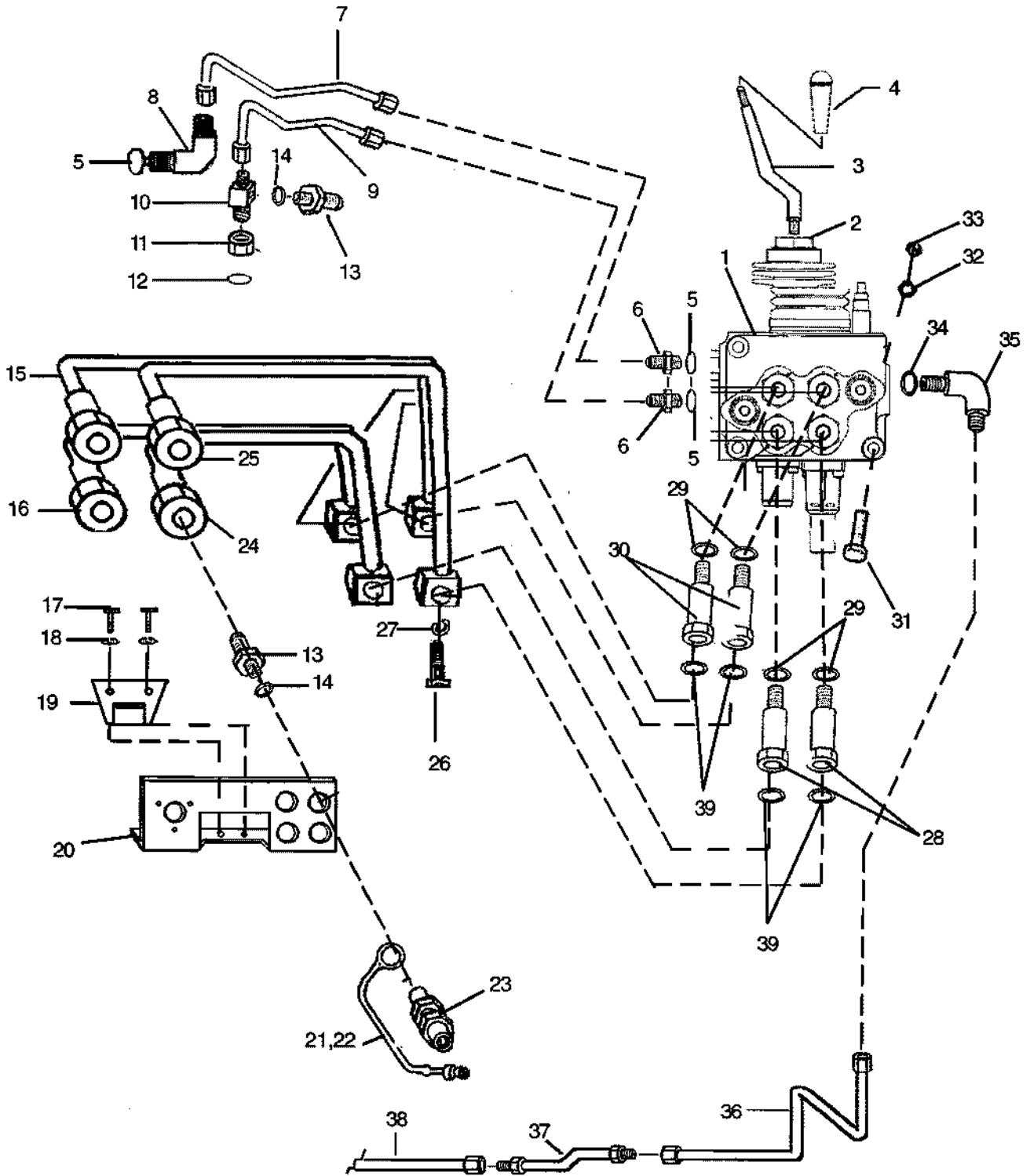
\*NOTE: Item No. 29 and Item No. 30 do not show as such but the description on page 129 shows what these Items consists of.

ITEM	LONG No.	VENDOR No.	DESCRIPTION	QTY.	
				70	80
39			Spring Guide (NSS)	4	4
40			Spring (NSS)	2	2
41			Ball (5/16) (NSS)	2	2
42	ESL13251	26-05489-AA	Oil Seal Kit (Includes Items #24-28,33,35-36)	1	1
43	ESL13252	25-05180-AC	Lever Assembly, Flow Control Valve	1	1
44	ESL13401	25-05190-AB	Lever Assembly, Flow Control Valve	1	1
45	ESL13402	NH-72054-S8	Roll Pin	2	2





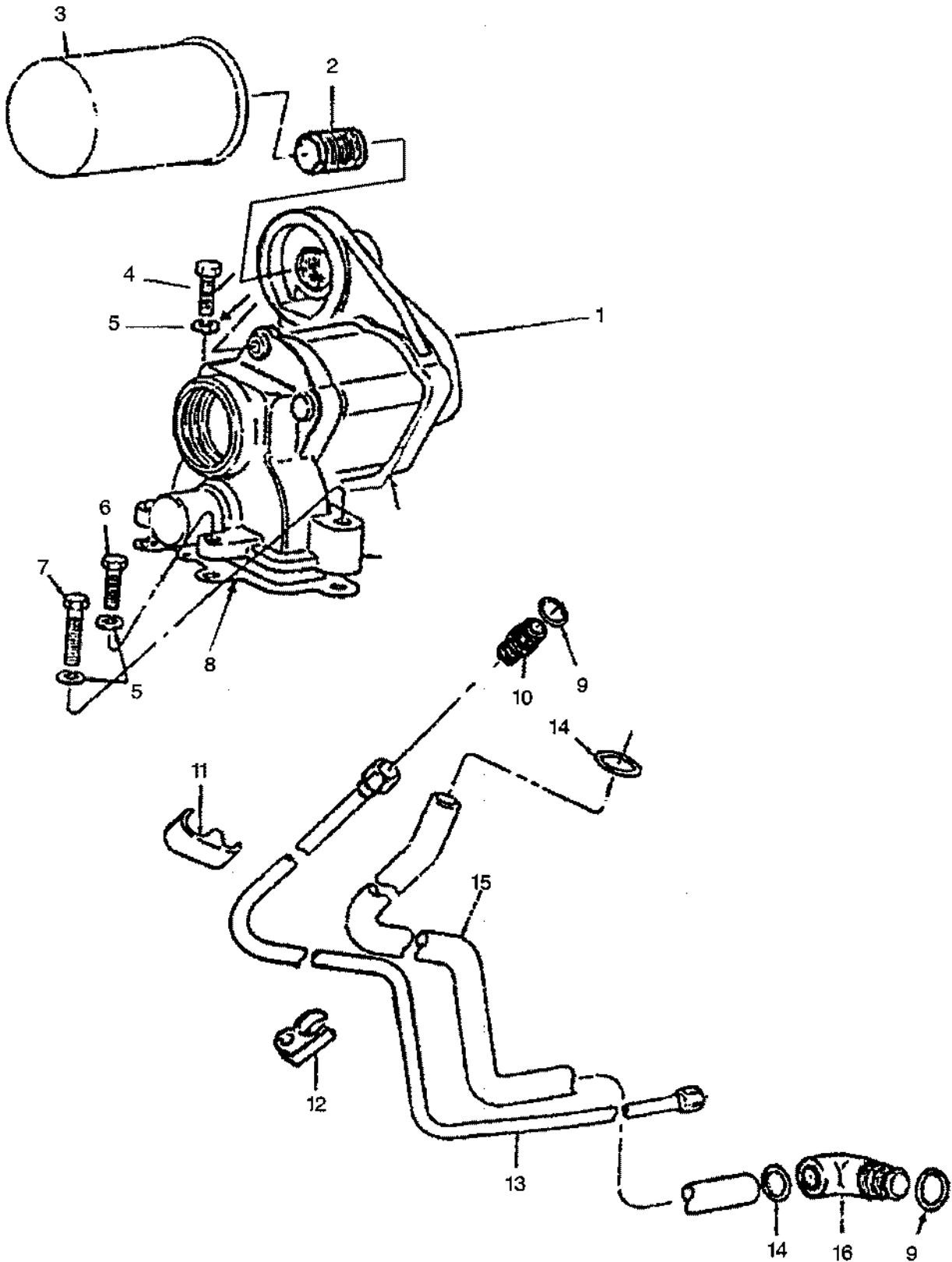
ITEM	LONG No.	VENDOR No.	DESCRIPTION	QTY.	
				70	80
1	ESL13254	25-55120-AC	Support, Lower Link Mounting	1	1
2	ESL12778	N-646689-S	Roll Pin	2	2
3	ESL13255	25-57526-AA	Bracket, Stay Bar, LH	1	1
4	ESL13256	25-57527-AA	Bracket, Stay Bar, RH	1	1
5	ESL13257	25-57520-BB	Stay Bar Assembly	2	2
6	ESL13258	25-55127-AA	Pin	2	2
7	ESL13259	25-05560-BC	Lift Rod Assembly	2	2
8	ESL13260	25-55570-AA	Link Assembly, Upper Lift	1	1
9	ESL13731	25-57521-AA	Nut	2	2
10	ESL13262	25-05927-AB	Pin, Upper Lift	2	2
11	ESL13263	25-55560-AA	Lower Link	2	2
12	ESL13264	25-55124-AA	Linch Pin	6	6
13	ESL13265	25-05930-AA	Chain & Clip Assembly	4	4
14	ESL13266	25-55129-AC	Pin, Fulcrum	2	2
15	ESL13267	25-055132-AA	Spacer	2	2
16	ESL13269	25-055131-AA	Screw, Self Locking(M16)	4	4
17	ESL14186	25-05568-AA	Pin, Lift Rod, Upper	2	2
18	ESL14187	25-05569-AA	Pin, Lift Rod, Lower	2	2
19	ESL14188	25-55572-AA	Bracket, Top Link	1	1
20	304648-S8	304648-S36	Bolt, Hex Head (5/16-18x3/4)	4	4
21	33797-S8	33797-S36	Nut, Hex (5/16-18)	4	4
22	34806-S8	34806-S36	Washer, Lock (5/16)	4	4
23	44720-S8	44720-S36	Washer, Flat (1/4)	4	4
24	72004-S8	72004-S36	Pin, Cotter (3/32x1/2)	1	1
25	903560		Hook, Center Link	1	1



**DOUBLE ACTING SPOOL VALVE**



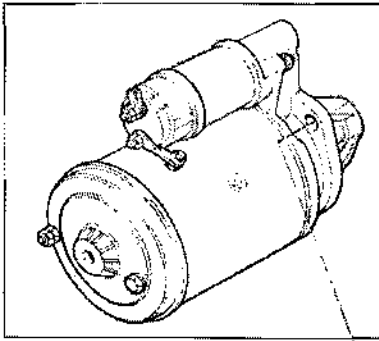
ITEM	LONG No.	VENDOR No.	DESCRIPTION	QTY.	
				70	80
1	ESL13644	25-96010-CB	Valve Assembly, Hydraulic Control	1	1
2	ESL13645	30-22591-AA	Nut, Hex (M12x1.75)	1	1
3	ESL13646	25-96015-AA	Lever	1	1
4	ESL12687	25-96553-AA	Knob	1	1
5	ESL10008	87034-S95	'O'Ring	3	3
6	ESL13648	25-96039-BA	Adapter	2	2
7	ESL13649	25-96065-BA	Tube Assembly, Spool Valve to Hydraulic Lift	1	1
8	ESL13643	25-05327-AA	Elbow	1	1
9	ESL13650	25-96064-BA	Tube Assembly, Spool Valve to Housing	1	1
10	ESL12747	25-96041-AA	Adapter, Return	1	1
11	ESL13164	25-06042-AA	Lock Nut	1	1
12	ELS10021	86483-S95	'O'Ring	1	1
13	ESL11257	86301-S36	Adapter	5	5
14	ESL10021	86483-S95	'O'Ring	5	5
15	ESL13651	25-96110-BA	Tube Assembly, Hydraulic Control Valve, LH Upper	1	1
16	ESL13652	25-96140-BA	Tube Assembly, Hydraulic Control Valve, LH Lower	1	1
17	ESL12897	N-605546-S36	Bolt, Hex (M10x1.5x30)	2	2
18	N-630174-S8	N-630174-S36	Washer, Lock (M10)	2	2
19	ESL13268	25-05575-AA	Bracket	1	1
20	ESL13654	25-96579-EA	Bracket, Coupling Mounting	1	1
21	ESL13655	25-96391-AA	Dust Plug, Red	2	2
22	ESL13656	25-96392-AA	Dust Plug, Blue	2	2
23	ESL12604	25-96390-AB	Coupling Assembly, Red	2	2
-	ESL12605	25-96390-BA	Coupling Assembly, Blue	2	2
24	ESL13657	25-96130-BA	Tube Assembly, Hydraulic Control Valve, RH Lower	1	1
25	ESL13658	25-96120-BA	Tube Assembly, Hydraulic Control Valve, RH Upper	1	1
26	311113-S8	311113-S36	Banjo Bolt	4	4
27	86438-S8	86438-S95	'O'Ring	4	4
28	ESL13659	25-96036-DC	Adapter, Big	2	2
29	ESL13660	25-96043-AA	Sealing Washer	4	4
30	ESL13661	25-96035-DC	Adapter, Small	2	2
31	ESL13662	25-96185-BA	Bolt, Hex (M8x1.25x60)	3	3
32	N-630068-S8	N-630068-S36	Washer, Lock (M8)	3	3
33	N-620013-S8	N-620013-S36	Nut, Hex (M8)	3	3
34	ESL13665	25-96344-AA	Sealing Washer	1	1
35	ESL13666	25-96327-AA	Elbow	1	1
36	ESL13667	25-09665-AA	Tube Assembly, Hydraulic Pump Pressure	1	1
37	ESL12757	25-05160-AA	Tube Assembly, Tap Off	1	1
38	ESL13668	25-05140-BA	Tube Assembly, Hydraulic Pump Pressure	1	-
-	ESL12756	30-05140-BA	Tube Assembly, Hydraulic Pump Pressure	-	1
39	ESL10022	D2NN-B997-A	'O'Ring	4	4



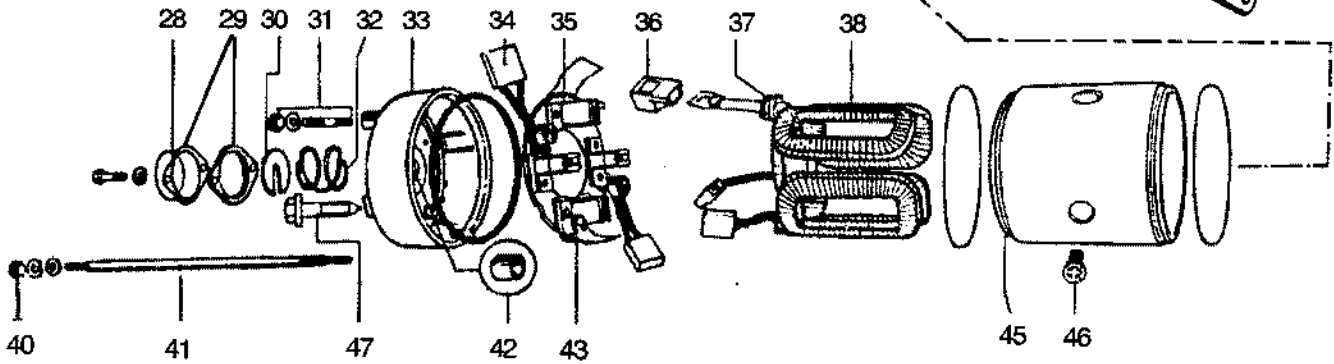
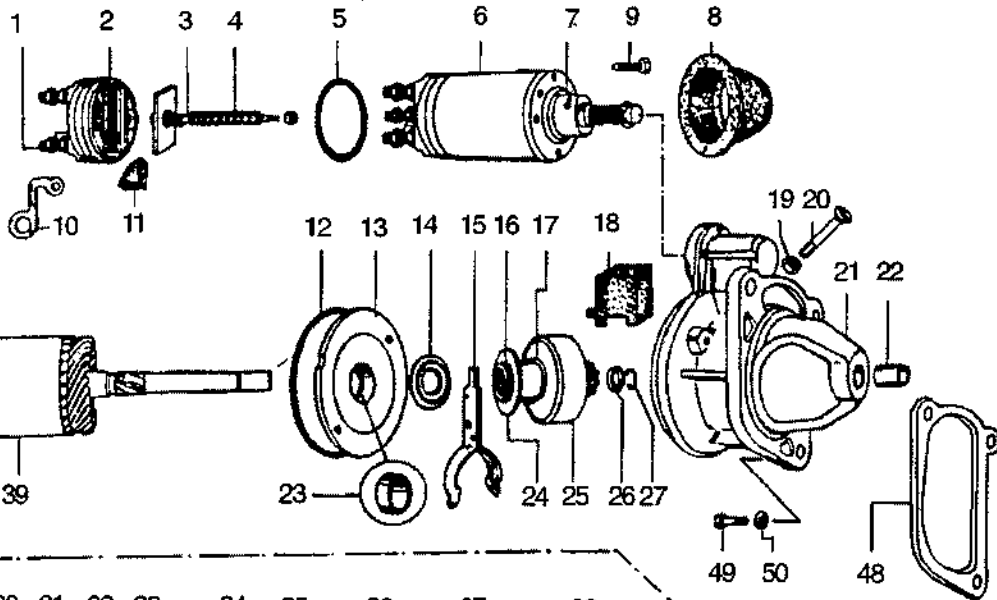
<i>ITEM</i>	<i>LONG No.</i>	<i>VENDOR No.</i>	<i>DESCRIPTION</i>	<i>QTY.</i>
				<b>70</b>
1	ESL11276	D4NN-600-B	Pump Assembly, Hydraulic	1
2	ESL13284	77NH-H972-A	Adapter, Filter	1
3	ESL11255	D6NN-B486-A	Filter Assembly	1
4	ESL12448	NH-385894-S36	Bolt, Hex Head (3/8-16x1.50)	1
5	34807-S8	34807-S36	Washer, Lock (3/8)	4
6	304760-S8	304760-S36	Bolt, Hex Head (3/8-16x1.50)	2
7	ESL11927	NH-353374-S36	Bolt, Hex Head (3/8-16x2.38)	2
8	ESL13703	11-06111-AA	Gasket, Pump to Block	1
9	ESL11270	86483-S95	'O'Ring	2
10	ESL11257	86301-S36	Connector (1/2-3/4-16)	1
11	ESL11263	D5NN-N871-A	Grommet, Hydraulic Pump, Pipe Support	1
12	ESL11258	D3NN-N871-E	Grommet, Hydraulic Pump, Pipe Support	1
13	ESL13668	25-05140-BA	Tube, Pump Pressure	1
14	ESL11238	87055-S94	'O'Ring (1.125 IDx0.139)	2
15	ESL13671	25-05130-AC	Tube, Pump Inlet	1
16	ESL12749	25-05170-AA	Elbow, Hydraulic Tube Inlet	1

# Notes

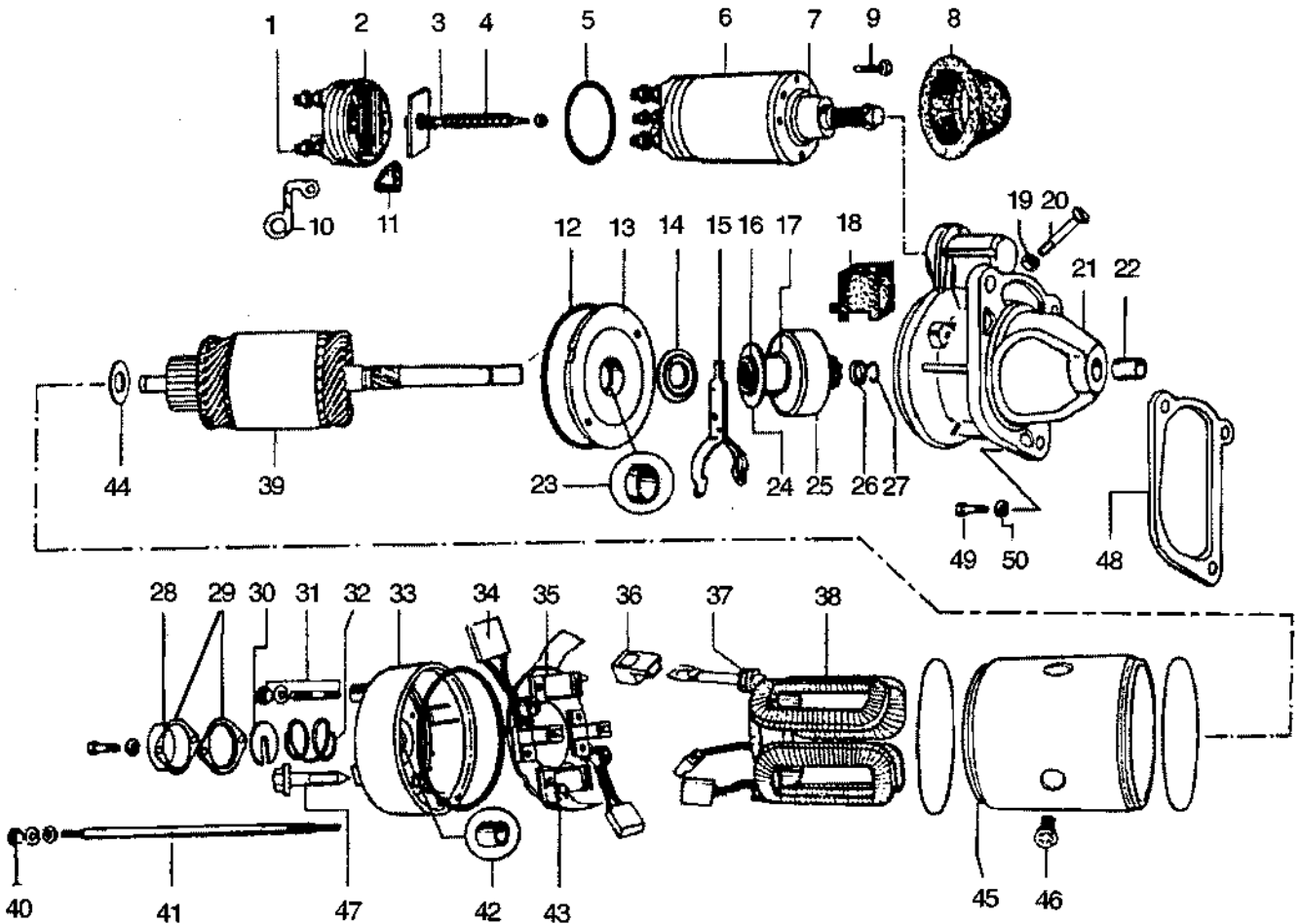
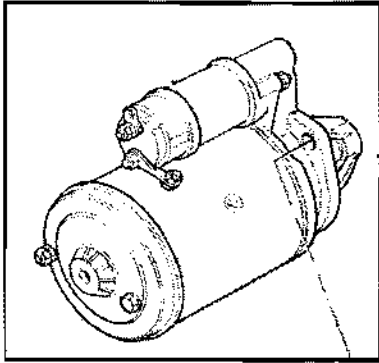
# ***ELECTRICALS, GAUGES & LIGHT SYSTEM***



52



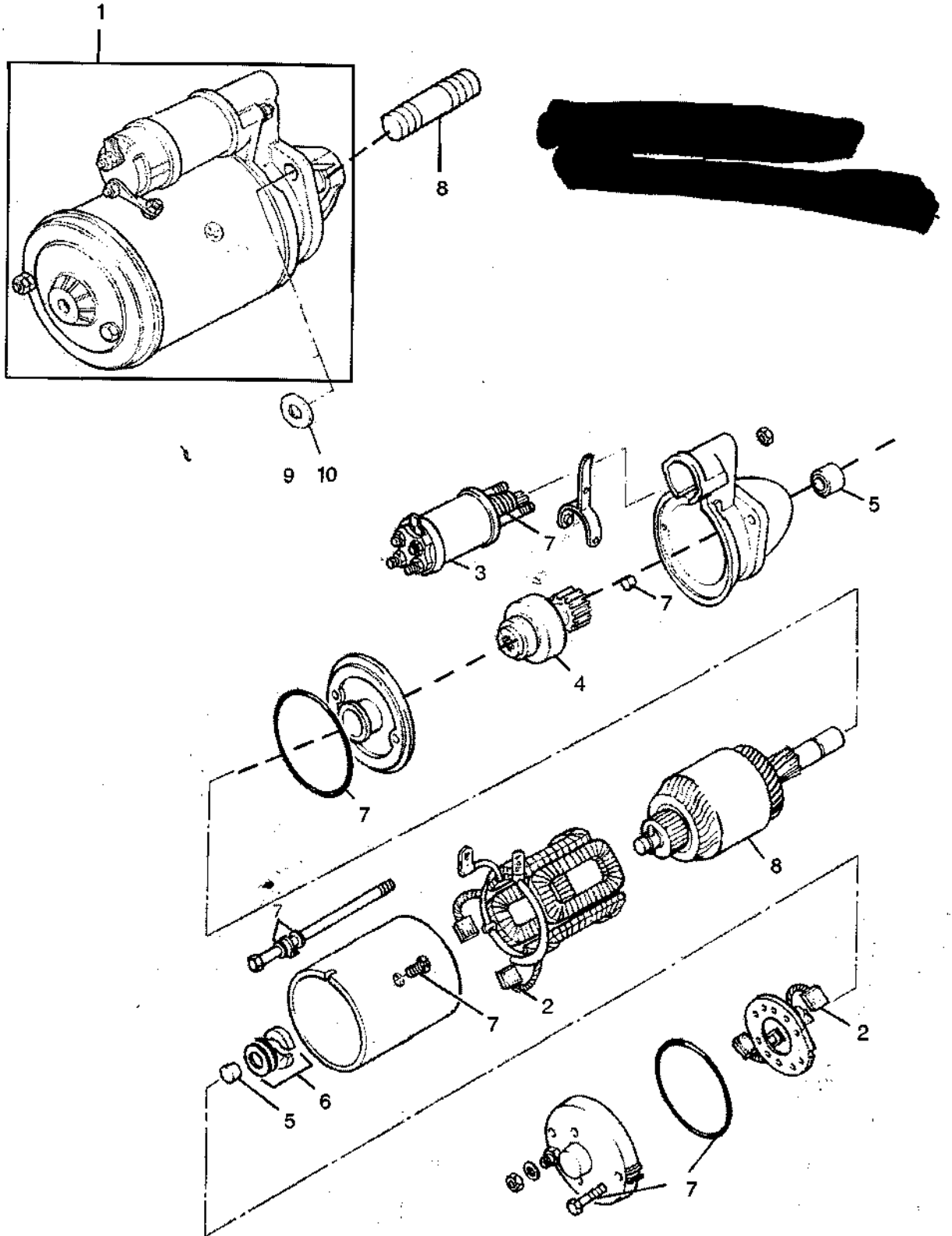
<b>ITEM</b>	<b>LONG No.</b>	<b>VENDOR No.</b>	<b>DESCRIPTION</b>	<b>QTY.</b>
				<b>70</b>
1			Main Terminal (Solenoid) (NSS)	2
2			Terminal Base Assembly (NSS)	1
3			Spindle Assembly (NSS)	1
4			Plunger Return Spring (NSS)	1
5	ESL13444	11-13555-AA	Sealing Ring (Solenoid)	1
6	ESL13445	11-13556-AA	Solenoid Switch Assembly	1
7			Plunger Assembly (NSS)	1
8			Shroud (NSS)	1
9			Screw (Solenoid Fixing) (NSS)	3
10	ESL13449	11-13560-AA	Connector	1
11			Seal (NSS)	1
12	ESL13451	11-13562-AA	Sealing Ring (DE & CE)	2
13			Intermediate Bracket Assembly (NSS)	1
14	ESL13453	11-13564-AA	Oil Seal	1
15			Engaging Lever Assembly (NSS)	1
16			Jump Ring (Pinion) (NSS)	1
17			Spring Pinion (NSS)	1
18			Grommet (NSS)	1
19			Nut (Pivot) (NSS)	1
20			Pivot Pin (NSS)	1
21			Fixing Bracket Assembly (NSS)	1
22	ESL13461	11-13572-AA	Bearing Bush (Fixing Bracket)	1
23	ESL13462	11-13573-AA	Bearing Bush (Inter Bracket)	1
24			Operating Plate (Pinion) (NSS)	1
25	ESL13464	11-13575-AA	Drive Assembly	1
26	ESL13465	11-13576-AA	Thrust Collar	1
27	ESL13466	11-13577-AA	Jump Ring	1
28			End Cover (NSS)	1
29	ESL13468	11-13579-AA	Seal (End Cover)	2
30			C'Washer (NSS)	1
31	ESL13470	11-13581-AA	Earth Terminal	1
32			Spring (End Cover) (NSS)	1
33			C & E Bracket Assembly (NSS)	1
34	ESL13473	11-13584-AA	Brush Set	1
35	ESL13474	11-13585-AA	Brush Carrier Assembly	1
36	ESL13475	11-13586-AA	Lead Assembly	1
37			Grommet (NSS)	1
38	ESL13477	11-13588-AA	Field Coil Assembly	1
39	ESL13478	11-13589-AA	Armature Assembly	1
40	ESL13479	11-13590-AA	Nut (Fixing Stud)	2



**STARTER MOTOR & RELAY ASSEMBLY**

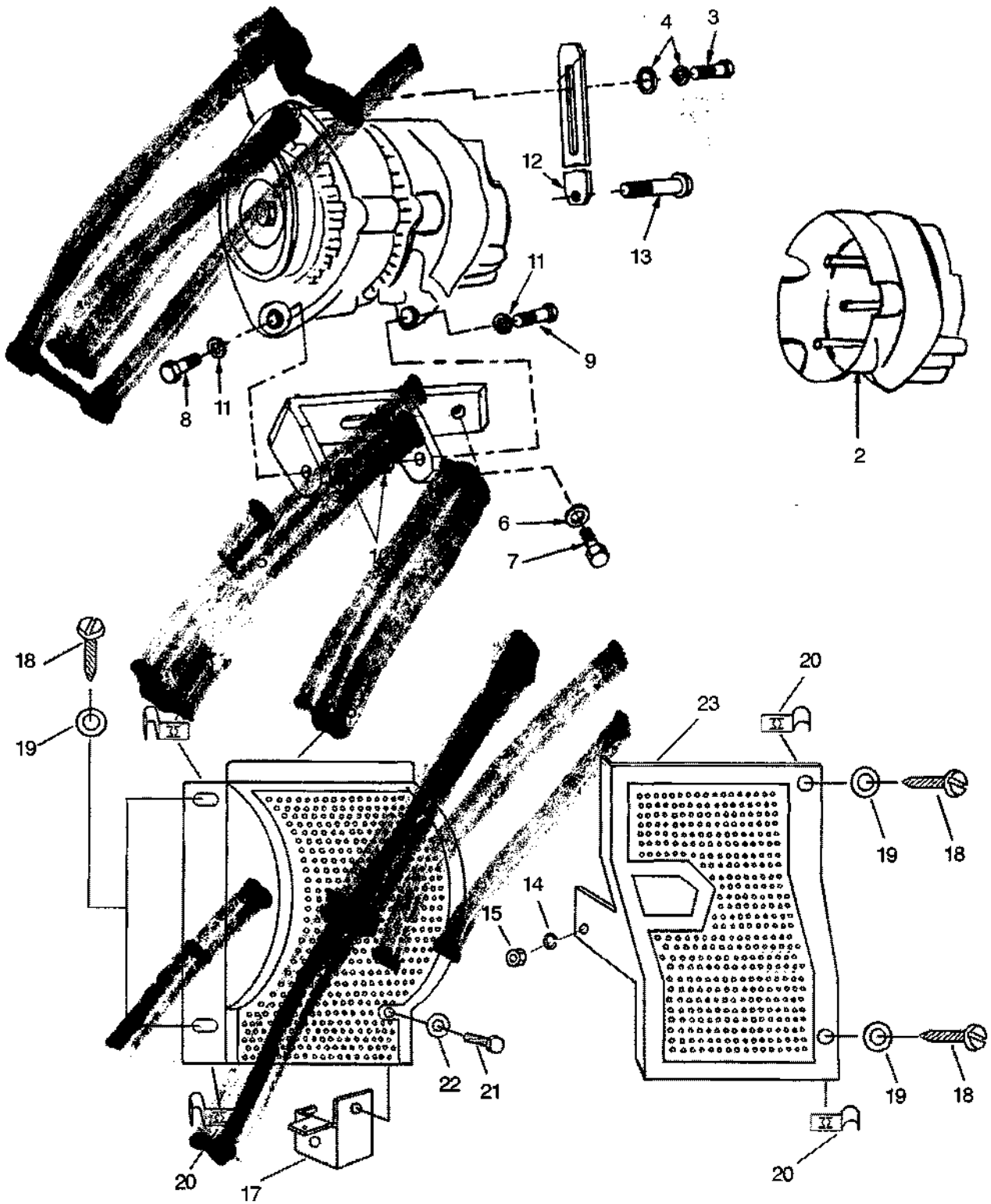


<b>ITEM</b>	<b>LONG No.</b>	<b>VENDOR No.</b>	<b>DESCRIPTION</b>	<b>QTY.</b>
				<b>70</b>
41			Fixing Stud (NSS)	1
42	ESL13481	11-13592-AA	Bearing Bush	1
43	ESL13482	11-13593-AA	Brush Spring	4
44			Stop Washer (NSS)	1
45			Insulation Yoke (NSS)	1
46			Pole Screw (NSS)	4
			Screw (NSS)	2
48	ESL13487	76NH-11N076-A	Gasket Starter Motor	1
49	304722-S8	304722-S36	Bolt, Hex Head (3/8-16x1.25)	3
50	34807-S8	34807-S36	Washer, Lock (3/8)	3
51	ESL11461	82835101	Clip, Wiring (NI)	1
52	ESL12587	25-13100-AA	Starter Motor Assembly	1



**STARTER MOTOR**

<i>ITEM</i>	<i>LONG No.</i>	<i>VENDOR No.</i>	<i>DESCRIPTION</i>	<i>QTY.</i>
1	ESL13944	2873B072	Starter Motor	1
2	ESL14189	28730184	Brush Kit	1
3	ESL14190	28730188	Solenoid	1
4	ESL14191	28730267	Drive	1
5	ESL14192	28730238	Bush Kit	1
6	ESL14193	28730193	Brake Kit	1
7	ESL14194	28730209	Repair Kit	1
8	ESL13945	2313C077	Stud	3
9	ESL13946	2318A604	Nut	3
10	ESL13947	0920054	Washer	3

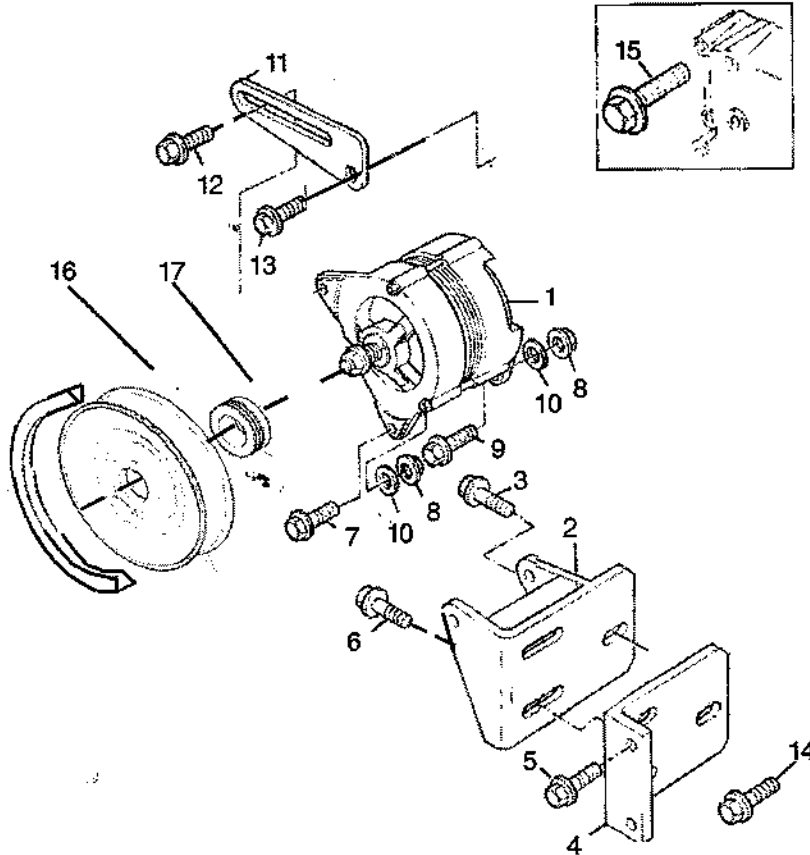




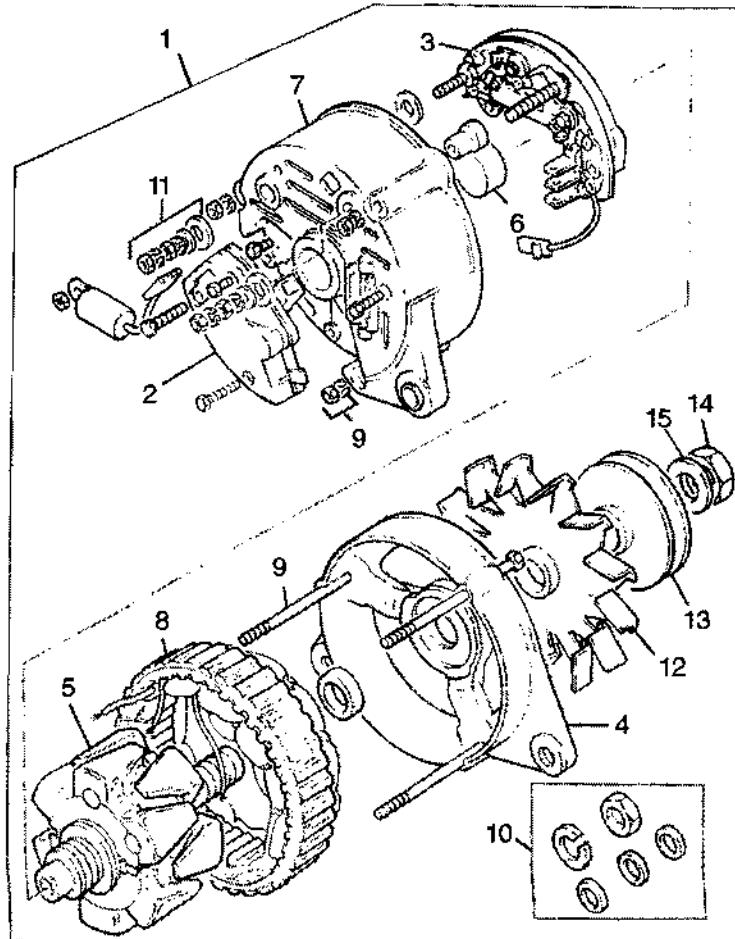
<b>ITEM</b>	<b>LONG No.</b>	<b>VENDOR No.</b>	<b>DESCRIPTION</b>	<b>QTY.</b>
				<b>70</b>
1	ESL12537	12-10376-BA	Alternator & Regulator Assembly	1
2	ESL11332	E7NN-10A398-AB	Shield Alternator	1
3	E-602189-S8	E-602189-S36	Bolt, Hex (M8x1.25x30)	1
4	ESL11720	E-630028-S71	Washer, Flat (M8x19x3)	2
5	ESL11960	11-10239-AA	Bracket Mounting Alternator	1
6	ESL11719	73NH-10N005-A	Washer, Bracket Mounting	2
7	42997-S8	42997-S36	Bolt, Hex (3/8-16x0.875)	2
8	ESL11955	N-600322-S36	Bolt (M10-1.5x90)	1
9	N-600313-S8	N-600313-S36	Bolt (M10-1.5x40)	1
10	N-620014-S8	N-620014-S36	Nut (M10-1.5)	2
11	ESL11956	N-630069-S36	Washer (M10)	2
12	ESL12539	11-10145-AA	Arm, Alternator Belt Adjusting	1
13	304739-S8	304739-S36	Bolt, Hex (5/16-18x1.375)	1
14	34791-S8	34791-S36	Washer, Hex (5/16)	1
15	33797-S8	33797-S36	Nut, Hex (5/16-18)	1
16	ESL13491	11-93334-BA	Guard, Alternator & Fan, LH	1
17	ESL13492	11-10239-AB	Bracket Assembly	1
18	ESL12040	55889-S36	Screw, Pan Head (1/4-14x2.00)	4
19	ESL12046	E-630023-S71	Washer, Flat (1/4)	4
20	ESL12042	45258-S2	Nut, Spring U (1/2-14)	4
21	ESL12073	N-605517-S36	Bolt, Hex Head (M6-1x16)	1
22	N-630067-S8	N-630067-S36	Washer, Flat (M6)	1
23	ESL12001	11-93333-AA	Guard Assembly Alternator & Fan, RH	1



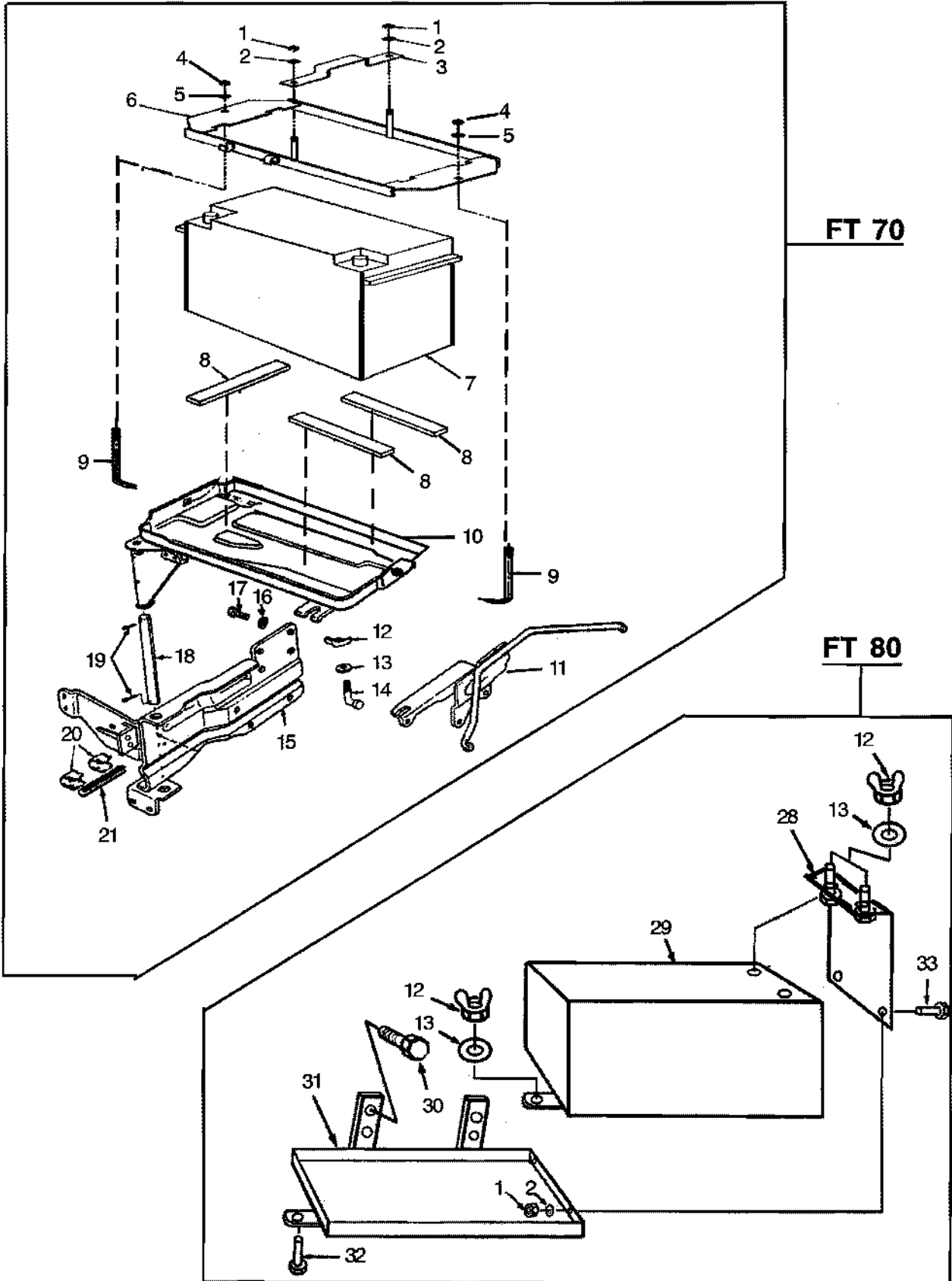
ITEM	LONG No.	VENDOR No.	DESCRIPTION	QTY.
				<b>80</b>
1	ESL14069	2871A141	Alternator	1
2	ESL14053	3828D016	Bracket	1
3	ESL14054	2314J003	Screw	1
4	ESL14055	U3641V013	Bracket	1
5	ESL13872	2314H013	Screw	2
6	ESL13988	2314H002	Screw	4
7	ESL13975	2314H006	Screw	1
8	ESL14051	2318D208	Nut	2
9	ESL14021	2314H008	Screw	1
10	ESL14068	2131A008	Washer	2
11	ESL14062	3615Y006	Lever	1
12	ESL14146	2314H003	Screw	1
13	ESL14064	2314J602	Screw	1
14	ESL13872	2314H013	Screw (Front Cover to Timing Case)	1
15	ESL13871	2314H005	Screw (Front Cover to Timing Case)	2
16	ESL14065	3113D001	Pulley Alternator	1
17	ESL14175	2871W013	Spacer	1



ITEM	LONG No.	VENDOR No.	DESCRIPTION	QTY.
				<b>80</b>
1	ESL14069	2871A141	Alternator Assembly	1
2	ESL14070	28710252	Regulator Assembly	1
3	ESL14071	28710355	Rectifier Assembly	1
4	ESL14072	28710254	Bracket	1
5	ESL14073	28710255	Rotor (Includes Item# 6)	1
6			Bearing (NSS)	1
7			Cover (NSS)	1
8	ESL14074	28710258	Stator	1
9	ESL14075	28710259	Kit, Bolt	1
10	ESL14076	28710260	Kit, Sundry	1
11	ESL14077	28710261	Kit, Terminal	1
12	ESL14078	28710364	Fan	1
13	ESL14079	3115C113	Pulley	1
14			Nut (NSS) (Order Item #10)	1
15			Washer (NSS) (Order Item #10)	1
16	ESL14175	2871W013	Spacer (NI)	1

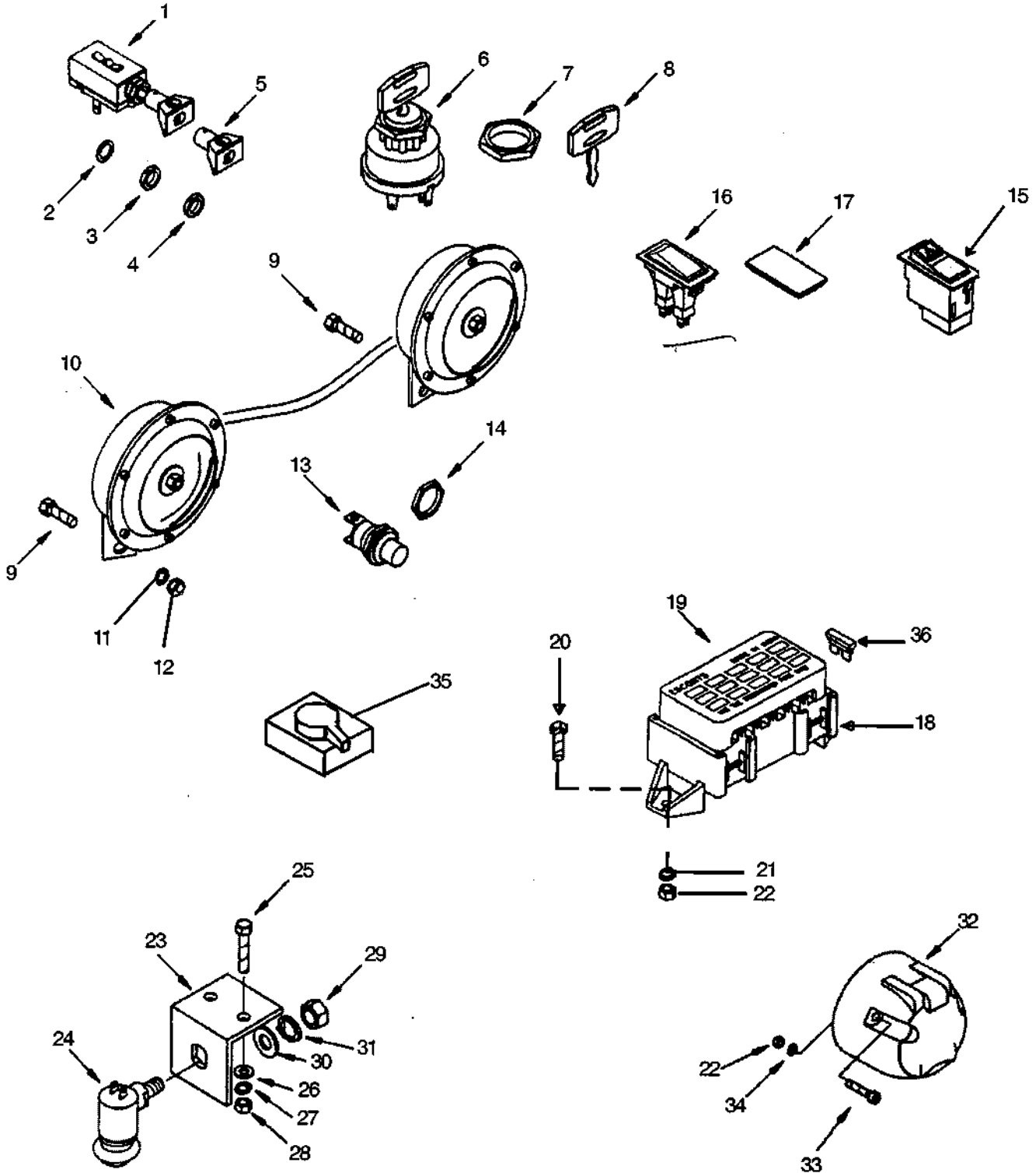


**70/80**



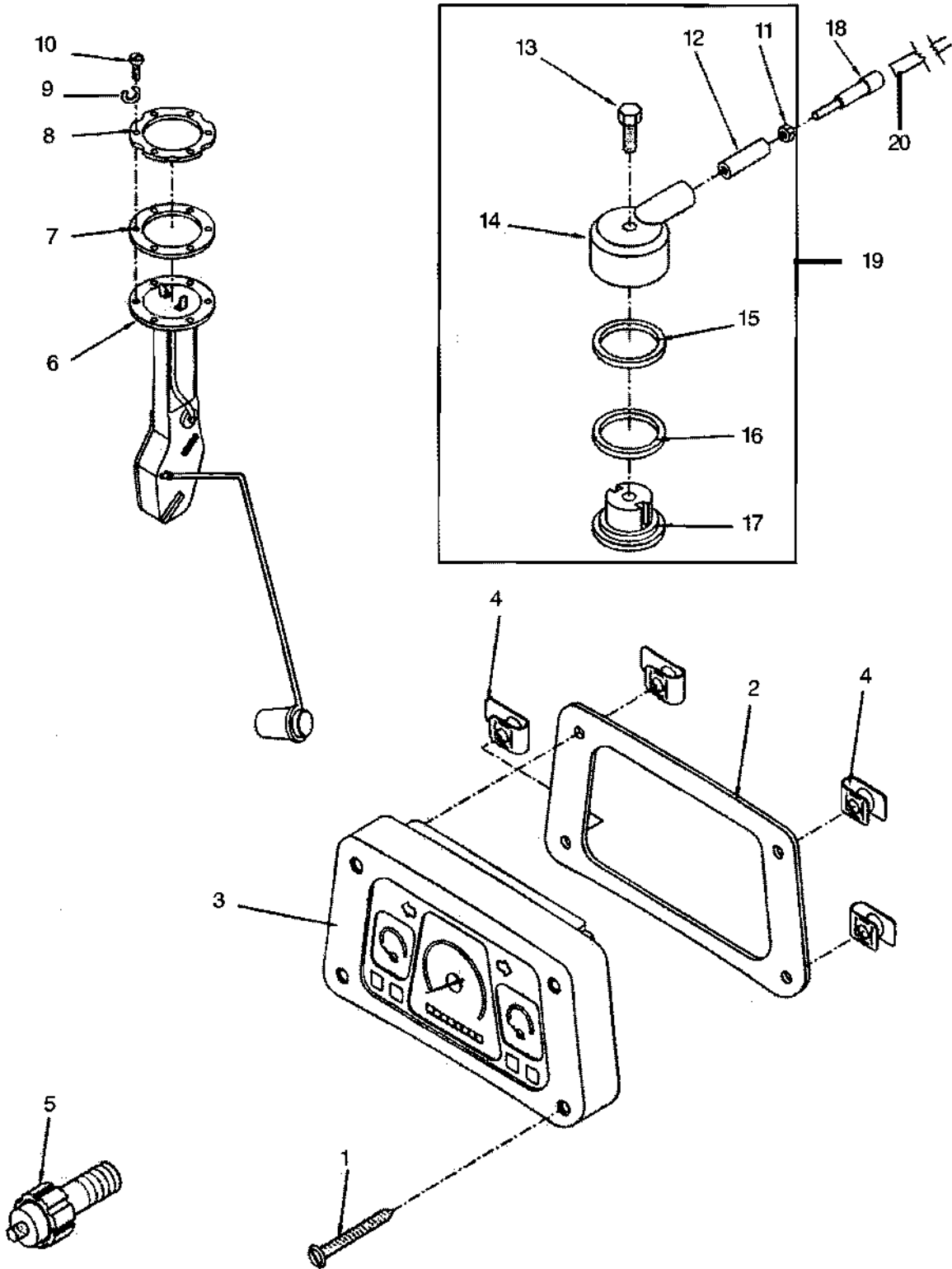


ITEM	LONG No.	VENDOR No.	DESCRIPTION	QTY.	
				70	80
1	33796-S8	33796-S36	Nut, Hex Head (1/4)	2	2
2	44719-S8	44719-S36	Washer, Flat (1/4)	2	2
3	ESL12547	12-10116-AA	Top Plate, Battery Hold Down	1	-
4	383705-S8	383705-S36	Nut, Hex Lock (5/16-18)	2	-
5	44722-S8	44722-S36	Washer, Flat (5/16)	3	-
6	ESL12545	12-10160-AA	Clamp, Battery Hold Down	1	-
7	799716		Battery Assembly	1	1
8	ESL12548	12-10118-AA	Pad Battery	3	3
9	ESL12546	12-10107-AA	Rod, Battery Hold Down	2	-
10	ESL12285	82835263	Tray Assembly, Battery	1	-
11	ESL11352	91NH-8N096-AA	Support, Radiator Shell Upper	1	-
12	388769-S	388769-S	Nut, Wing (5/16-18)	1	3
13	44724-S8	44724-S36	Washer, Flat (5/16)	1	3
14	ESL11773	C5NN-10N768-B	Bolt, Battery Hold Down	1	-
15	ESL11342	71NH-10769-A	Bracket Assembly, Battery Support	1	-
16	34808-S8	34808-S36	Washer, Lock (7/16)	4	-
17	304652-S8	304652-S36	Bolt, Hex Head (7/16-14x0.75)	4	-
18	ESL11350	C5NN-10N680-B	Pin, Battery Tray	1	-
19	ESL13674	72054-S8	Pin, Cotter (5/32x1.25)	2	-
20	ESL11354	C7NN-10N663-A	Clip, Battery Cable Pad	1	-
21	ESL11353	C7NN-10N662-A	Pad, Battery Cable	1	-
22	ESL11357	C7NN-14450-A	Terminal, Battery Cable, Positive (NI)	1	1
23	ESL11356	C5NN-14277-D	Cover, Terminal Insulation (NI)	1	1
24	ESL11358	C7NN-14452-C	Terminal, Battery Cable, Earth (NI)	1	1
25	ESL11355	73NH-14277-A	Boot, Terminal Insulation (NI)	1	1
26	23017-S2	23017-S2	Bolt, Terminal (5/16-18x1.25) (NI)	2	2
27	33797-S2	33797-S2	Nut, Hex, Terminal (5/16-18) (NI)	2	2
28	ESL13497	30-10274-BA	Plate Assembly	-	1
29	ESL13496	30-10163-BA	Cover Assembly	-	1
30	N-605559-S8	N-605559-S36	Bolt (M12x1.75x25)	-	4
31	ESL13495	30-10270-BA	Tray Assembly	-	1
32	304683-S8	304683-S36	Bolt (5/16-18x1.00)	-	1
33	ESL12014	304633-S36	Bolt, Hex Head (1 1/4-28x0.62)	-	2



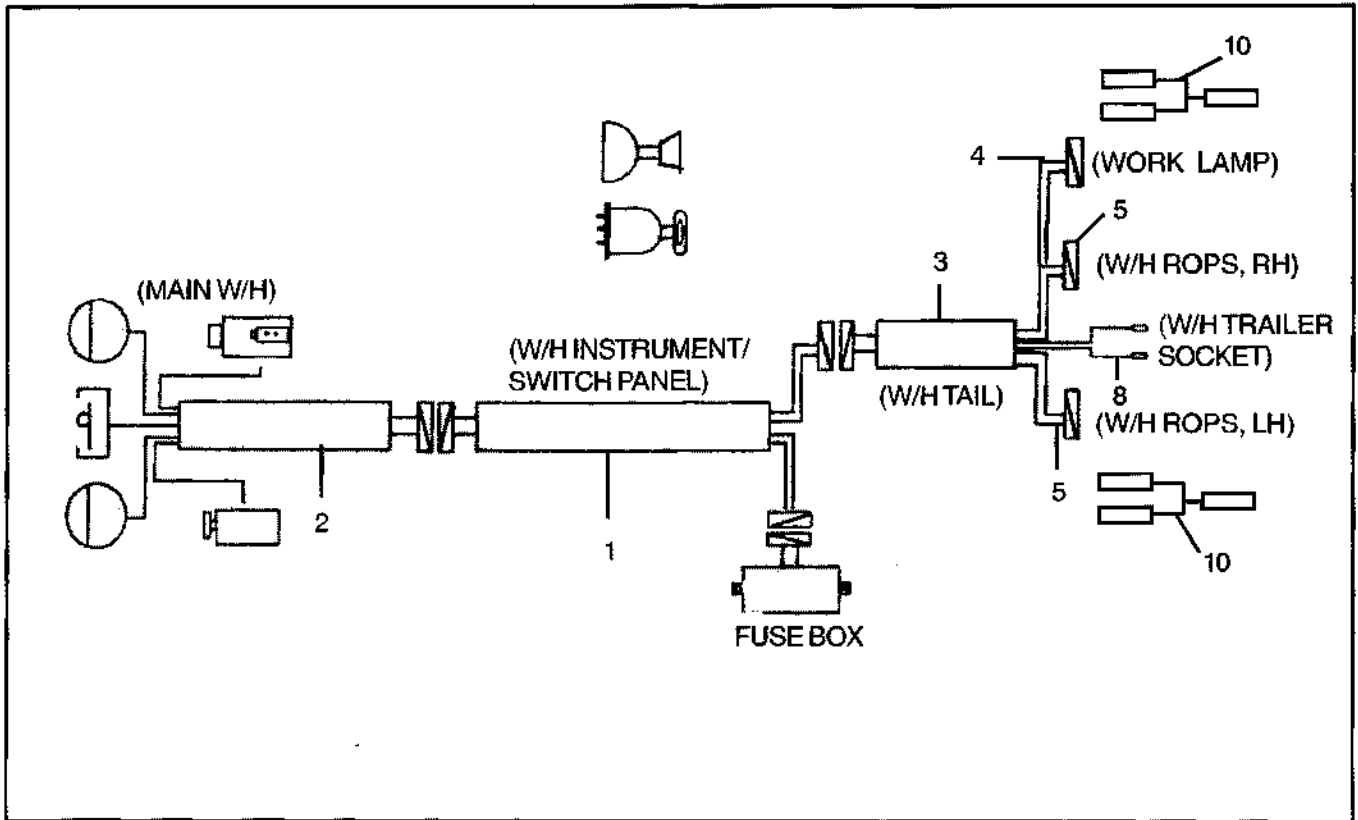


ITEM	LONG No.	VENDOR No.	DESCRIPTION	Qty.	
				70	80
1	ESL13498	11-12050-AA	Switch Assembly, Lighting	1	1
2	ESL11723	92NH-11N654-AA	Washer	1	1
3	ESL11819	92NH-11662-A	Nut, Lighting Switch	1	1
4	ESL11820	92NH-11662-BA	Nut, Lighting Switch	1	1
5	ESL11360	E1NN-11667-AA	Knob, Light Switch	1	1
6	ESL13499	11-11510-AA	Switch Assembly, Heat & Starter	1	-
-	ESL13500	30-11510-AA	Switch Assembly, Starter	-	1
7	ESL11821	C5NN-11N496-A	Nut, Starter Switch	1	1
8	ESL11362	82835125	Key, Ignition Lock	1	1
9	304682-S8	304682-S36	Bolt, Hex Head (5/16-18x1.00)	2	2
10	ESL11365	92NH-13802-AA	Horn Assembly, Dual Tone	1	1
11	34941-S8	34941-S36	Washer (5/16)	2	2
12	33799-S8	33797-S36	Nut (5/16)	2	2
13	ESL13501	E5NN-13A805-AA	Button Assembly, Horn Blowing	1	1
14	ESL12454	E62A-11502	Nut, Horn Blowing	1	1
15	ESL11364	92NH-13A350-AA	Switch Assembly, Emergency Warning	1	1
16	ESL12573	13-13428-AB	Switch Assembly, Worklamp	1	1
17	ESL11372	82835347	Grommet	1	1
18	ESL11374	18-13030-AA	Fuse Box Assembly (Includes Item #19)	1	1
19	ESL13734	18-13031-AA	Cover, Fuse Box	1	1
20	ESL11887	54351-S36	Screw, Pan Head (M10-24*0.62)	2	2
21	34803-S8	34803-S36	Washer, Lock (M10)	2	2
22	34053-S8	34053-S36	Nut, Hex (M10-24)	5	5
23	ESL13503	25-11439-AA	Bracket, Stop Lamp Switch Mounting	1	-
-	ESL13675	30-11439-AA	Bracket, Stop Lamp Switch Mounting	-	1
24	ESL13504	11-13480-AA	Switch Assembly, Stop Lamp	1	1
25	N-606321-S8	N-606321-S36	Bolt Carriage (M8x1.25x20)	2	2
26	44722-S8	44722-S36	Washer, Flat (5/16)	2	2
27	N-630173-S8	N-630173-S36	Washer, Lock (M8)	2	2
28	N-620013-S8	N-620013-S36	Nut (M8)	2	2
29	ESL12017	33799-S36	Nut (3/8-16)	1	1
30	ESL12074	356420-S36	Washer, Flat	1	1
31	34807-S8	34807-S36	Washer, Lock	1	1
32	ESL11381	E6NN-13A450-AA	Socket Assembly	1	1
33	54049-S8	54049-S36	Screw (10-24x11.12)	3	3
34	34903-S8	34903-S36	Washer, Lock Internal Tooth (10)	3	3
35	ESL13676	25-13360-BA	Flasher - Indicator Assembly	1	1
36	ESL13735	18-13032-AA	Fuse (10A)	2	2
37	ESL13736	18-13033-AA	Fuse (15A)	4	4





ITEM	LONG No.	VENDOR No.	DESCRIPTION	QTY.	
				70	80
1	ESL11889	EXP-12158-A	Screw, Bezel Retaining	4	4
2	ESL13505	11-12949-AA	Gasket, Instrument Cluster	1	1
3	ESL13506	25-12380-AA	Cluster Assembly, Instrument	1	-
-	ESL13507	30-12380-AA	Cluster Assembly, Instrument	-	1
4	ESL11823	78NH-10N849-AA	Nut, Bezel Retaining	4	4
5	ESL11400	F1NN-9278-AA	Switch Assembly, Oil Pressure	1	-
-	ESL13677	2848062	Switch Assembly, Oil Pressure	-	1
6	ESL13511	25-12310-AA	Float Assembly, Fuel Tank Sender	1	-
-	ESL13512	30-12310-AA	Float Assembly, Fuel Tank Sender	-	1
7	ESL13510	D5NN-9276-B	Gasket, Fuel Tank Sender	1	-
8	ESL13509	D8NN-9276-B	Clip	1	-
9	ESL12559	12-89145-AA	Washer, Fuel Tank Float	5	5
10	ESL11890	54677-S36	Screw, Hex Head (10-32*0.625)	5	5
11	ESL13514	80NH-17N271-AA	Seal, Tachodrive Adapter	1	-
12	ESL13515	80NH-17N268-AA	Bearing Bush, Shaft Adapter	1	-
13	N-605531-S8	N-605531-S36	Bolt, Hex Head (M8x1.25-20)	1	-
14			Body, Tachodrive Shaft (NSS)	1	-
15	ESL11408	87067-S94	O'Ring	1	-
16	ESL11407	D3NN-17N269-A	Ring, Tachodrive Shaft	1	-
17			Base, Tachodrive Adapter (NSS)	1	-
18	ESL11409	91NH-17N275-AA	Shaft & Cable Assembly	1	-
19	ESL13518	D3NN-17N264-B	Adapter Assembly, Tachodrive	1	-
20	ESL13715	11-12360-AB	Cable Assembly, Tachometer (Up to Serial Number 304173)	1	-
-	ESL13716	11-12360-CA	Cable Assembly, Tachometer (From Serial Number 304174)	1	-

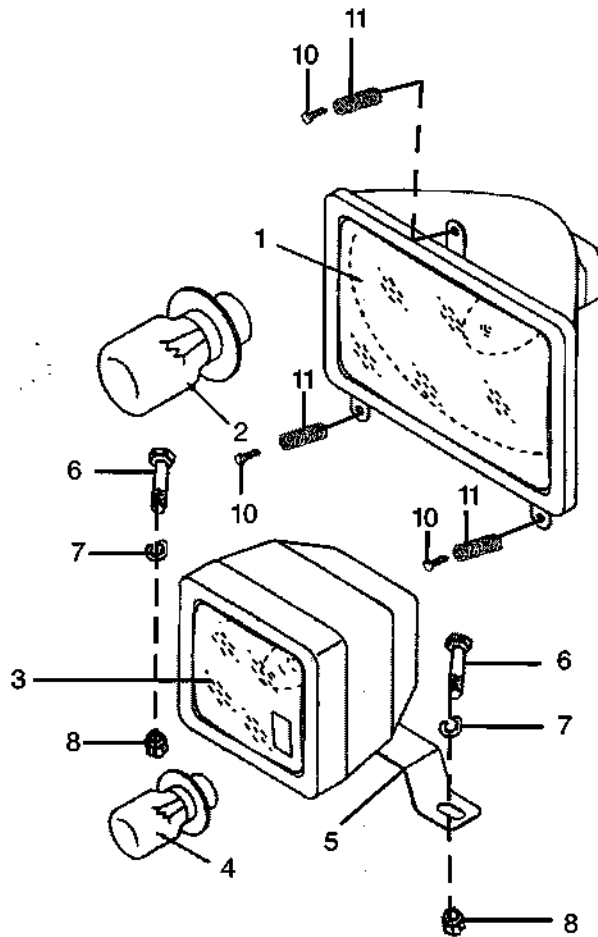




ITEM	LONG No.	VENDOR No.	DESCRIPTION	QTY.	
				70	80
1	ESL12569	27-13130-AA	Wiring Harness, Instrument Panel (Up to Serial Number 304173)	1	-
-	ESL13711	27-13130-BA	Wiring Harness, Instrument Panel (From Serial Number 304174)	1	-
-	ESL13519	32-13110-AA	Wiring Harness, Switch Panel (Up to Serial Number 303811)	-	1
-	ESL13712	32-13120-BA	Wiring Harness, Switch Panel (From Serial Number 303812)	-	1
2	ESL12568	27-13140-AA	Wiring Harness, Main (Up to Serial Number 304173)	1	-
-	ESL13705	27-13140-BA	Wiring Harness, Main (From Serial Number 304174)	1	-
-	ESL13520	32-13140-AA	Wiring Harness, Main (Up to Serial Number 303811)	-	1
-	ESL13706	32-13140-BA	Wiring Harness, Main (From Serial Number 303812)	-	1
3	ESL13521	27-13110-AA	Wiring Harness, Tail (Up To Serial Number 304173 - FT70) (Up To Serial Number 303811 - FT80)	1	1
-	ESL13708	27-13110-BA	Wiring Harness, Tail (From Serial Number 304174 - FT70) (From Serial Number 303812 - FT80)	1	1
4	ESL12564	27-13200-AA	Wiring Harness, Work Lamp (Up To Serial Number 304173 - FT70) (Up To Serial Number 303811 - FT80)	1	1
-	ESL13710	27-13200-BA	Wiring Harness, Work Lamp (From Serial Number 304174 - FT70) (From Serial Number 303812 - FT80)	1	1
5	ESL12565	27-13180-AA	Wiring Harness, ROPS Lamp (Up To Serial Number 304173 - FT70) (Up To Serial Number 303811 - FT80)	2	2
-	ESL13707	27-13180-BA	Wiring Harness, ROPS Lamp, RH (From Serial Number 304174 - FT70) (From Serial Number 303812 - FT80)	1	1
-	ESL13709	27-13170-AA	Wiring Harness, ROPS Lamp, LH (From Serial Number 304174 - FT70) (From Serial Number 303812 - FT80)	1	1
6	ESL11449	73NH-14N207-A	Clip, Harness to Hydraulic Pipe (NI)	4	4
7	ESL11450	D3NN-14197-J	Clip, Harness to Hydraulic Pipe (NI)	4	4
8	ESL13704	27-13160-AA	Wiring Harness, Trailer Socket (From Serial Number 304174 - FT70) (From Serial Number 303812 - FT80)	1	1
9	ESL12567	27-13190-AA	Wiring Harness, Earth	1	1
10	906323		Brake Light Diode Assembly	2	2

**70/80**

ITEM	LONG No.	VENDOR No.	DESCRIPTION	QTY.	
				70	80
1	ESL12571	25-13010-BA	Head Lamp Assembly	1	1
2	ESL13523	25-13009-AA	Bulb, Headlamp (12 volts)	2	2
3	ESL12572	13-13420-AB	Worklamp Assembly	1	1
4	ESL13524	13-13331-AA	Bulb, Worklamp	1	1
5	ESL11471	74NH-13R312-A	Plate, Worklamp Mounting	1	1
6	ESL11775	C5NN-N448-A	Bolt (3/8-24UNF)	2	2
7	44726-S8	44726-S36	Washer, Flat (3/8)	2	2
8	ESL11791	377360-S36	Nut, Nyloc (3/8-24-UNF)	2	2
9	ESL13525	EXP-14211-S	Grommet (For Fender Hole) (NI)	1	1
10	ESL13737	25-13011-AA	Screw, Head Lamp Adjusting	6	6
11	ESL13738	25-13012-AA	Spring	6	6



**HEAD LAMP & WORK LAMP**

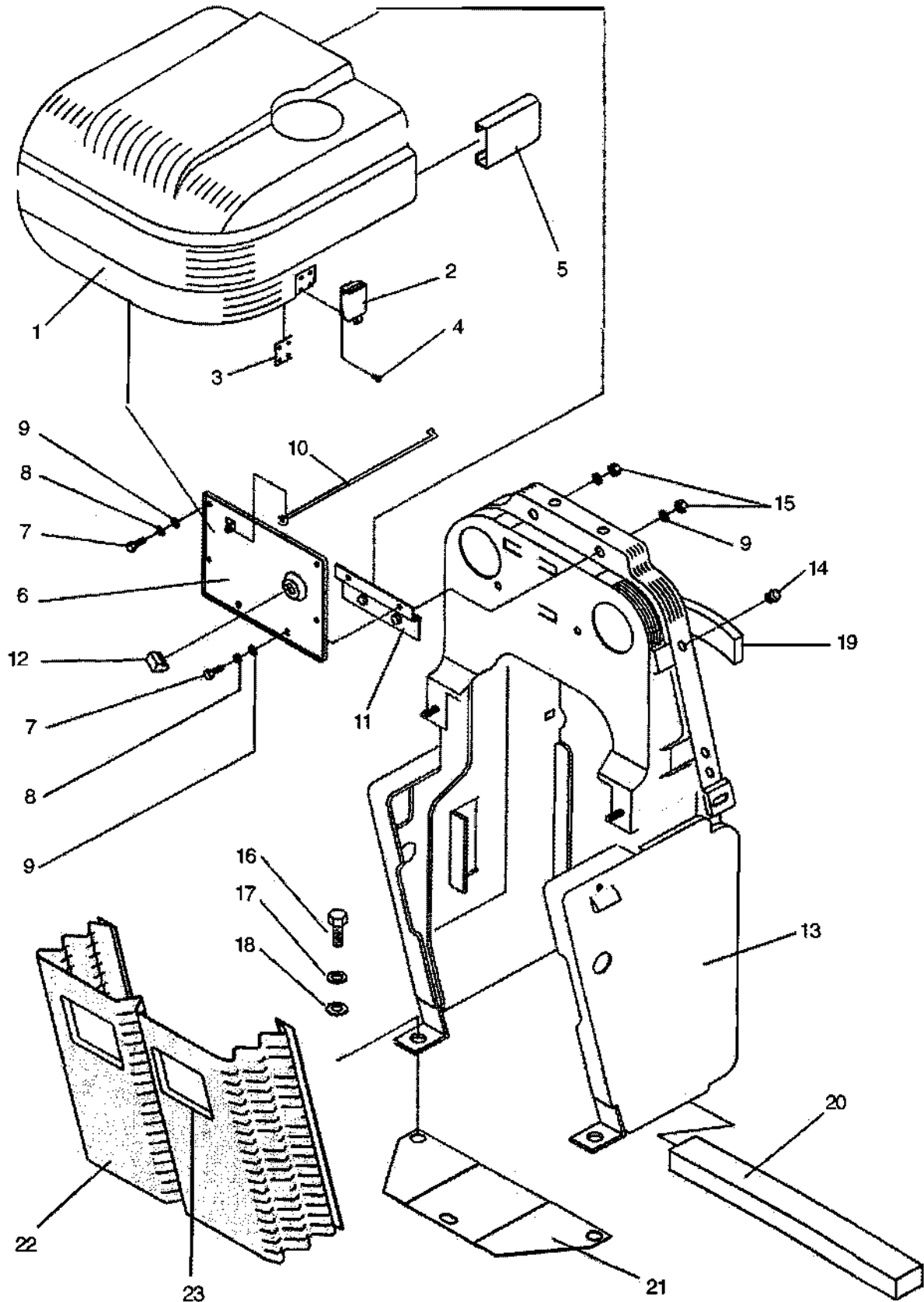


# ***SHEET METAL & ACCESSORIES***



**LongAgribusiness**

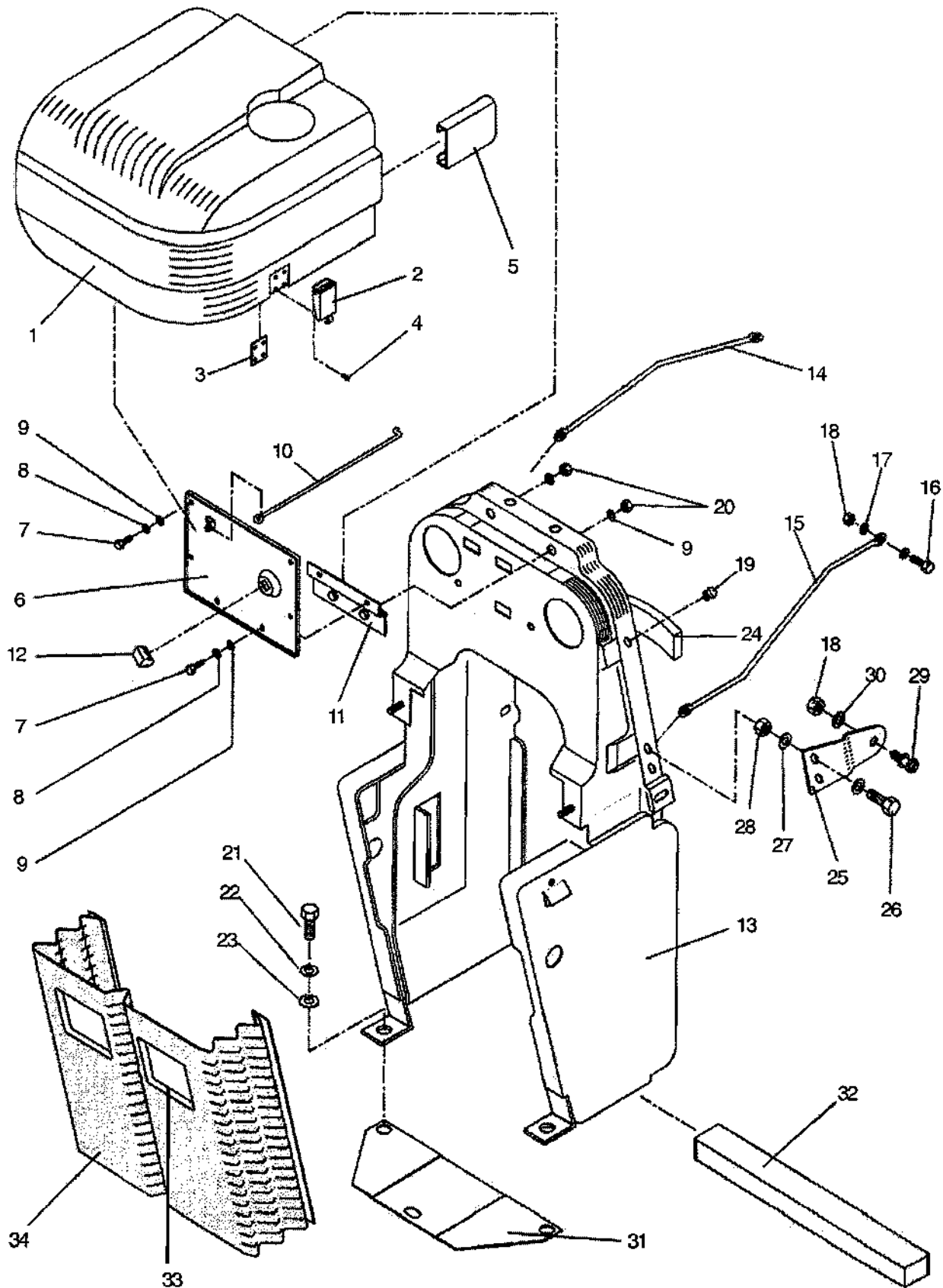
**COMMON SENSE SOLUTIONS**



**RADIATOR SHELL**



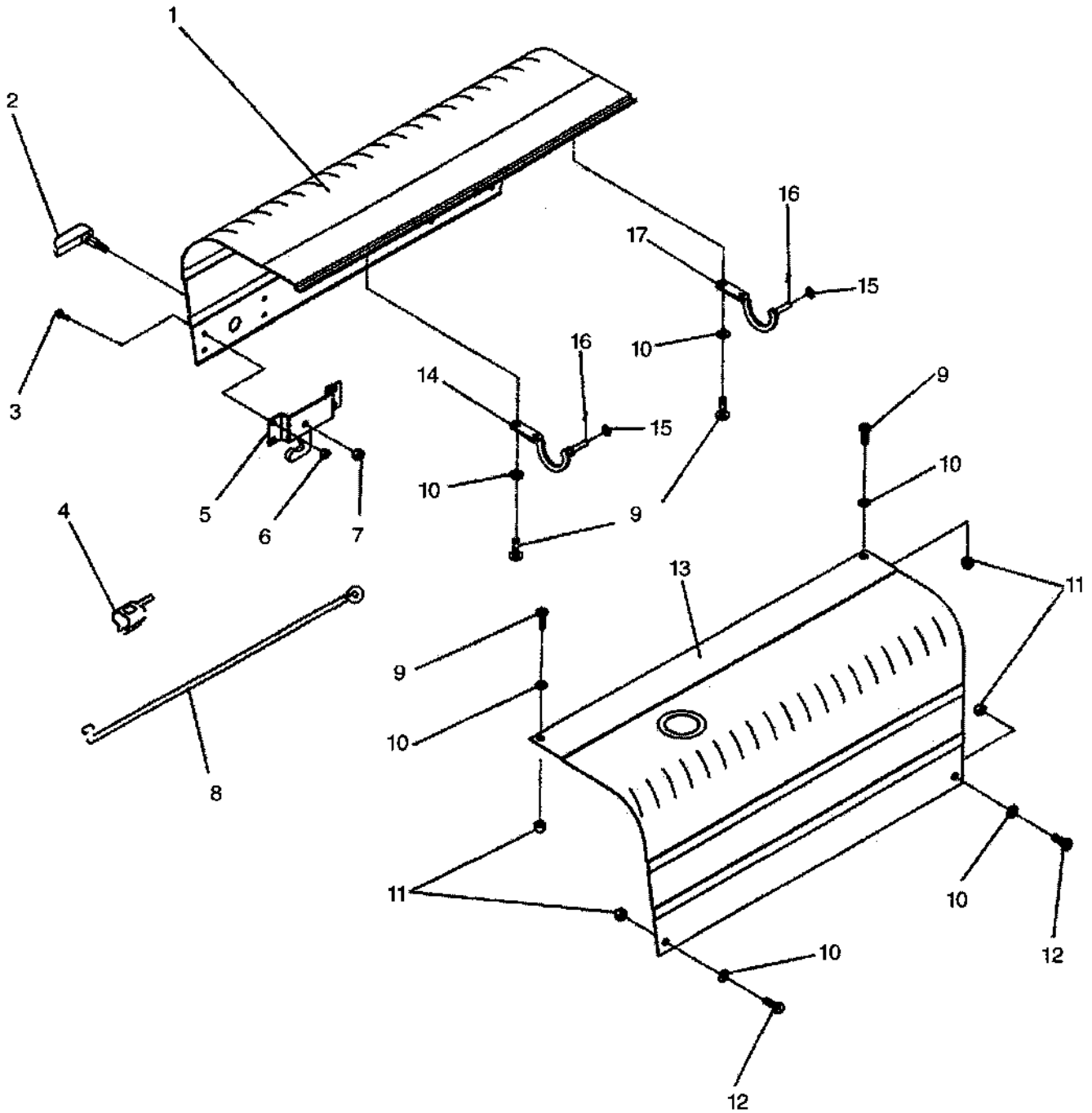
<b>ITEM</b>	<b>LONG No.</b>	<b>VENDOR No.</b>	<b>DESCRIPTION</b>	<b>QTY.</b>
				<b>70</b>
1	ESL11498	91NH-16A837-AA	Panel Assembly, Hood Top	1
2	ESL13537	11-18570-AA	Latch Assembly, Hood	1
3	ESL11500	E1NN-16874-AA	Plate Hood Latch	1
4	ESL13718	87NH-16N785-AA	Rivet, Hood Latch	4
5	ESL11499	87NH-16N900-AA	Bumper	6
6	ESL11502	87NH-16N910-AC	Plate, Hood Top Front	1
7	ESL11937	N-605515-S36	Bolt, Hex Head (M6x1.00-12)	6
8	N-630317-S8	N-630317-S36	Washer, External Tooth	6
9	N-630067-S8	N-630067-S36	Washer, Flat (M6)	8
10	ESL11504	E0NN-16N908-AA	Prop, Hood Top Front Panel	1
11	ESL13719	E0NN-16N906-AA	Hinge Assembly, Hood Top Front Panel	1
12	ESL11505	E0NN-16N900-AB	Bumper, Hood Top	1
13	ESL11490	82835432	Shell Assembly, Radiator	1
14	ESL13538	C5NN-16N655-B	Pad, Hood Mounting	14
15	N-620012-S8	N-620012-S36	Nut (M6x1.0)	2
16	304650-S8	304650-S36	Bolt, Hex Head (3/8-16x0.75)	4
17	44728-S8	44728-S36	Washer, Flat (3/8)	4
18	34942-S8	34942-S36	Washer, Flat Tooth (3/8)	4
19	ESL11493	90NH-8N301-AA	Seal Radiator	1
20	ESL11494	90NH-8N036-AA	Seal Radiator	1
21	ESL11519	93NH-8N095-AA	Baffle Assembly, Front Axle Support	1
22	ESL12609	25-18250-BA	Grill Assembly, Front	1
23	ESL12610	25-18251-AA	Rubber Beading, Head Lamp	1



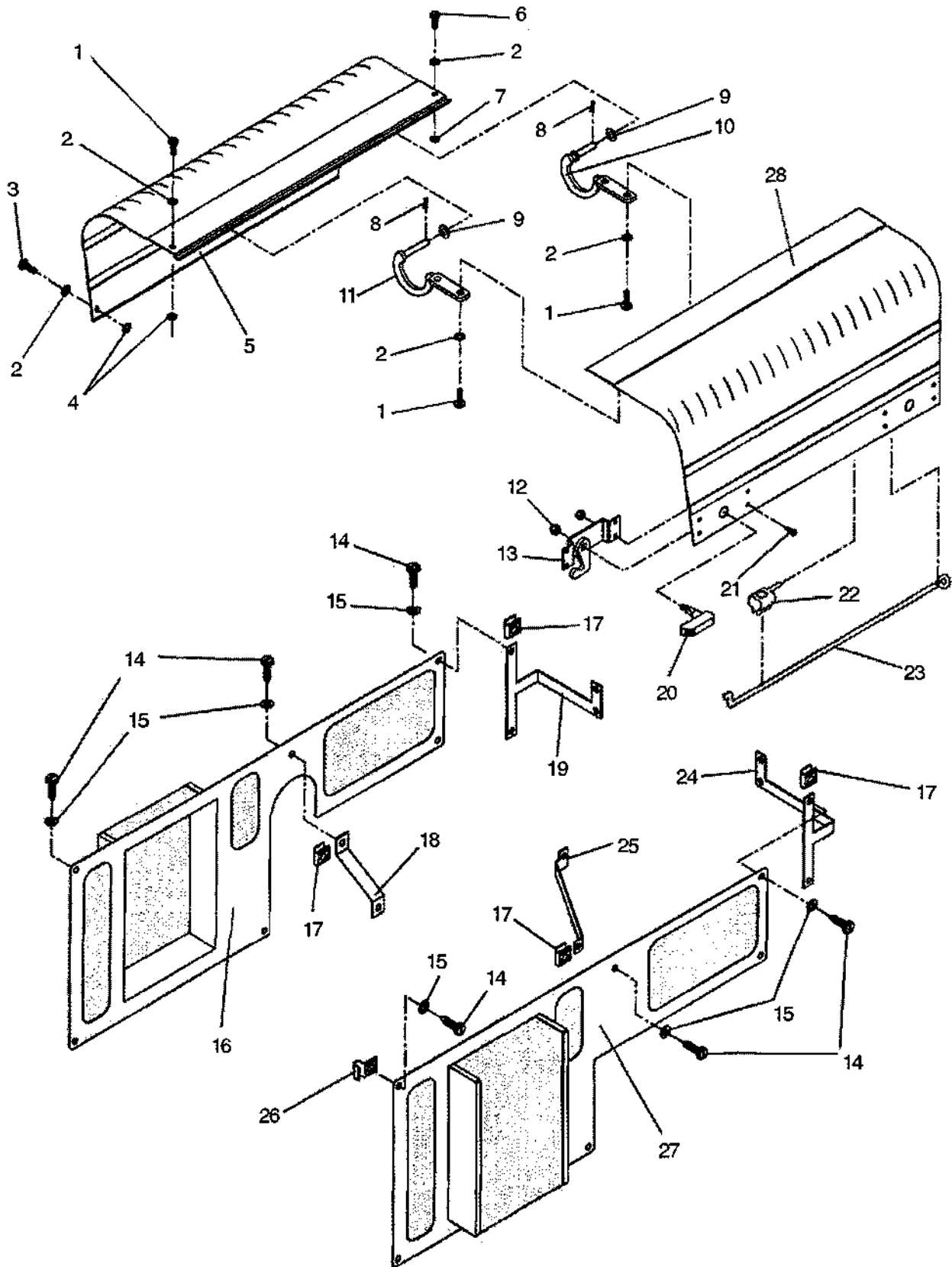
**RADIATOR SHELL**



<b>ITEM</b>	<b>LONG No.</b>	<b>VENDOR No.</b>	<b>DESCRIPTION</b>	<b>QTY.</b>
				<b>80</b>
1	ESL13536	30-16410-BC	Panel Assembly, Hood Top	1
2	ESL13537	11-18570-AA	Latch Assembly, Hood	1
3	ESL11500	E1NN-16874-AA	Plate, Hood Latch	1
4	ESL13718	87NH-16N785-AA	Rivet, Hood Latch	4
5	ESL11499	87NH-16N900-AA	Bumper	6
6	ESL11502	87NH-16N910-AC	Plate, Hood Top Front	1
7	ESL11937	N-605515-S36	Bolt, Hex Head (M6x1.00-12)	6
8	N-630317-S8	N-630317-S36	Washer, External Tooth	6
9	N-630067-S8	N-630067-S36	Washer, Flat (M6)	8
10	ESL11504	E0NN-16N908-AA	Prop, Hood Top Front Panel	1
11	ESL13719	E0NN-16N906-AA	Hinge Assembly, Hood Top Front Panel	1
12	ESL11505	E0NN-16N900-AB	Bumper, Hood Top	1
13	ESL13526	30-19440-AA	Shell Assembly, Radiator	1
14	ESL13527	30-18012-AA	Rod, Radiator Shell Support Front RH	1
15	ESL13528	30-18013-AA	Rod, Radiator Shell Support Front LH	1
16	N-605531-S8	N-605531-S36	Bolt (M8x1.25x20)	1
17	N-630173-S8	N-630173-S36	Washer, Lock (M8)	2
18	N-620013-S8	N-620013-S36	Nut (M8)	2
19	ESL13538	C5NN-16N655-B	Pad, Hood Mounting	14
20	N-620012-S8	N-620012-S36	Nut (M6x1.0)	2
21	304650-S8	304650-S36	Bolt, Hex Head (3/8-16x0.75)	4
22	44728-S8	44728-S36	Washer, Flat (3/8)	4
23	34942-S8	34942-S36	Washer, Flat Tooth (3/8)	4
24	ESL11493	90NH-8N301-AA	Seal Radiator	1
25	ESL13584	30-18160-AA	Bracket Assembly Hood Catch Front	1
26	304665-S8	304665-S36	Bolt, Hex Head (5/16-24x0.88)	1
27	44722-S8	44722-S36	Washer, Flat (5/16)	1
28	33798-S8	33798-S36	Nut, Hex (5/16-24)	1
29	ESL13720	30-16452-AA	Pin, Center Panel Lock	1
30	ESL12829	N-630028-S36	Washer, Lock	1
31	ESL11519	93NH-8N095-AA	Baffle Assembly, Front Axle Support	1
32	ESL11494	90NH-8N036-AA	Seal Radiator	1
33	ESL12610	25-18251-AA	Rubber Beading, Head Lamp	1
34	ESL12609	25-18250-BA	Grill Assembly, Front	1



<b>ITEM</b>	<b>LONG No.</b>	<b>VENDOR No.</b>	<b>DESCRIPTION</b>	<b>QTY.</b>
				<b>70</b>
1	ESL11524	C7NN-16625-M	Panel Assembly, Hood RH	1
2	ESL11529	C5NN-16N644-B	Handle Assembly, Hood RH	2
3	ESL11896	11-18712-AA	Screw, Pan Head (M4x10)	8
4	ESL11521	C7NN-16N658-A	Clip, Hood Support Rod	14
5	ESL11528	E1ADKN-16658	Lock Assembly, Hood RH	2
6	ESL11827	11-18713-AA	Nut, Nyloc (M4)	8
7	55670-S8	55670-S71	Nut, Hex Lock (1/4-28)	2
8	ESL11534	C7NN-8042-A	Support Rod Panel	1
9	50528-S8	50528-S36	Screw, Pan Head (1/4-28x0.625)	4
10	44719-S8	44719-S36	Washer, Flat (1/4)	6
11	ESL11828	76NH-16N802-A	Nut, Hood Panel, LH	4
12	ESL13724	76NH-16N803-A	Screw	2
13	ESL11532	D3NN-16626-L	Panel Assembly, Hood LH	1
14	ESL11526	C9NN-16N632-A	Hinge Rod	1
15	ESL11729	C5NN-16N647-A	Washer, Hinge	2
16	ESL12679	NH-72016-S8	Pin, Cotter	2
17	ESL11525	C5NN-16N631-B	Rod Assembly, Hinge	1

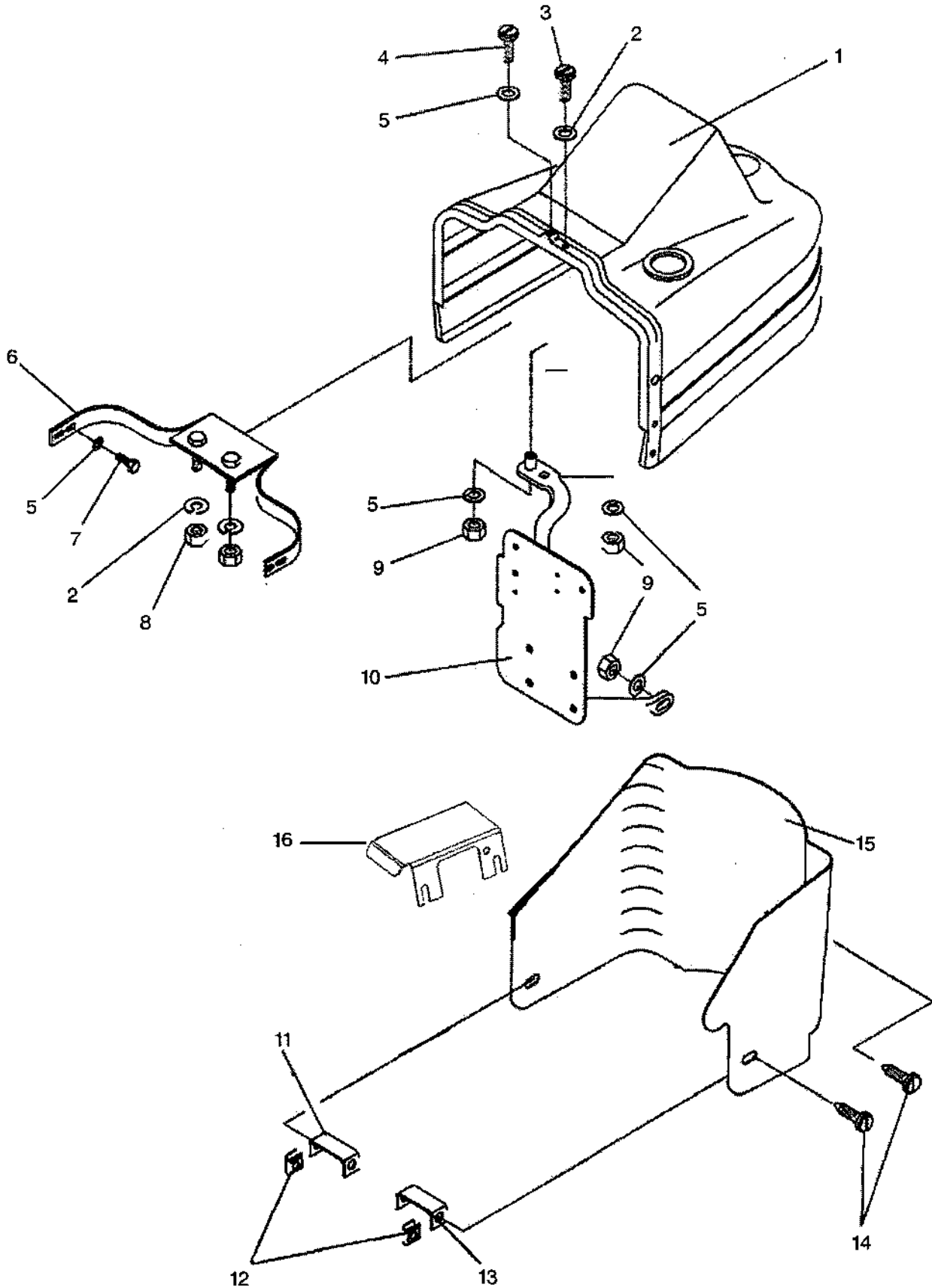


**SIDE PANELS**



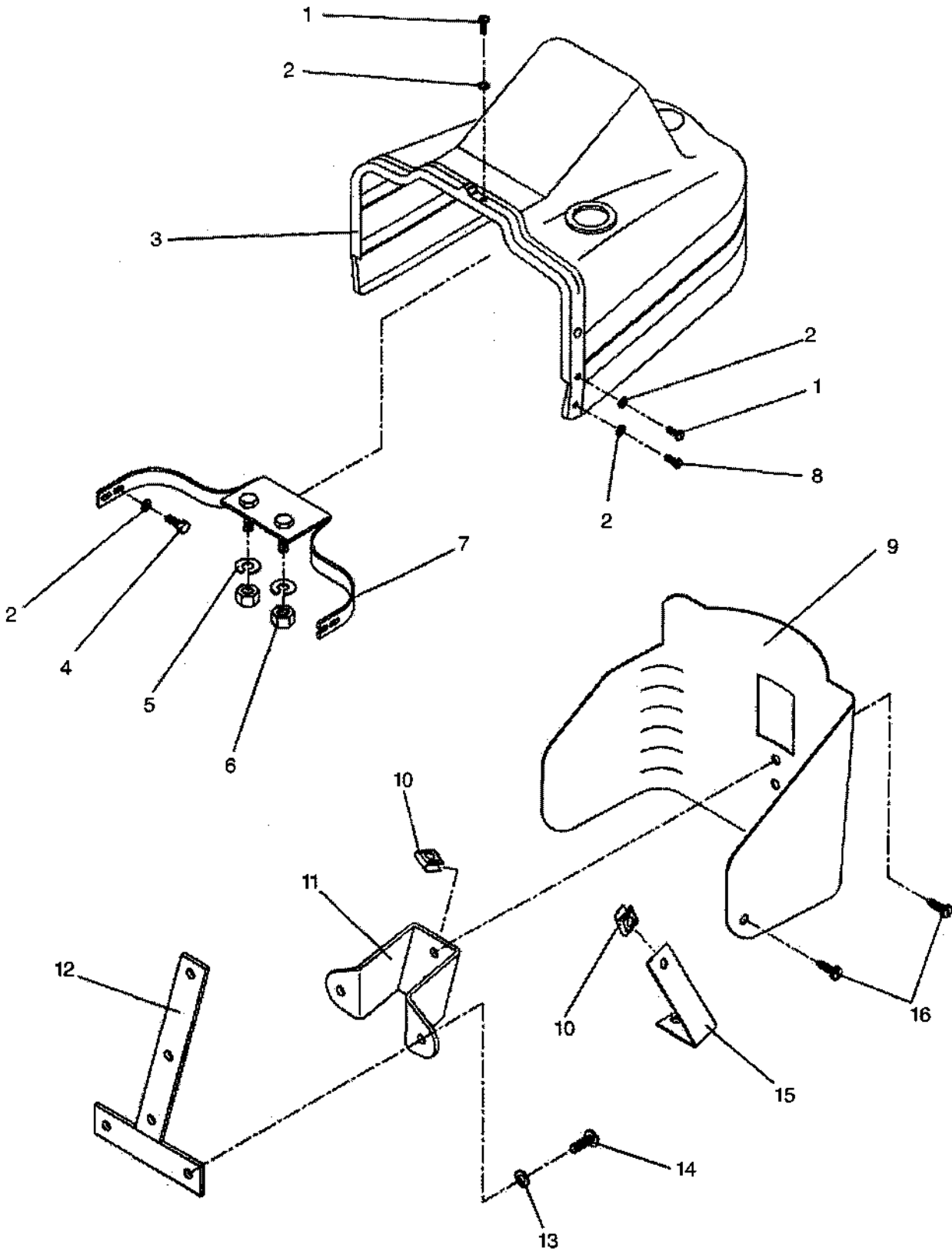


<b>ITEM</b>	<b>LONG No.</b>	<b>VENDOR No.</b>	<b>DESCRIPTION</b>	<b>QTY.</b>
				<b>80</b>
1	50528-S8	50528-S36	Screw, Pan Head (1/4-28x0.625)	3
2	44719-S8	44719-S36	Washer, Flat (1/4)	4
3	ESL13725	30-18122-AA	Screw, Pan Head (1/4-28x0.75)	1
4	ESL11828	76NH-16N802-A	Nut, Hood LH Panel	2
5	ESL13547	30-18525-AA	Panel Assembly, Hood RH	1
6	ESL13724	76NH-16N803-A	Screw	1
7	ESL13587	30-18121-AA	Spacer	3
8	ESL12679	NH-72016-S8	Pin, Cotter	2
9	ESL11729	C5NN-16N647-A	Washer, Hinge	2
10	ESL13548	30-16530-AA	Rod Assembly, Hinge	1
11	ESL13549	30-16531-AA	Hinge Rod	1
12	ESL11827	11-18713-AA	Nut, Nyloc (M4)	4
13	ESL13581	E1ADKN-16659	Lock Assembly, Hood RH	2
14	ESL11933	56009-S36	Screw (8-16x0.625)	10
15	ESL12046	E-630023-S71	Washer, Steel (M5x15x2)	10
16	ESL13532	30-16550-BA	Grill, RH	1
17	45189-S8	45189-S8	Nut "U" Type Spring	6
18	ESL13534	30-16558-CB	Support, Side Grill Guide RH	1
19	ESL13726	30-16559-AB	Support, Grill RH	1
20	ESL13582	30-16540-AA	Handle Assembly, Hood RH	2
21	ESL11896	11-18712-AA	Screw, Pan Head (M4x10)	4
22	ESL11521	C7NN-16N658-A	Clip, Hood Support Rod	1
23	ESL11534	C7NN-8042-A	Support Rod Panel	1
24	ESL13533	30-16559-BA	Support, Grill LH	1
25	ESL13535	30-16568-CB	Support, Side Grill Guide LH	1
26	ESL13689	D8NN-2N212-AA	Nut, Grill Mounting	4
27	ESL13531	30-16560-BA	Grill, LH	1
28	ESL13723	30-18530-AB	Panel Assembly, Hood LH	1



**REAR HOOD**

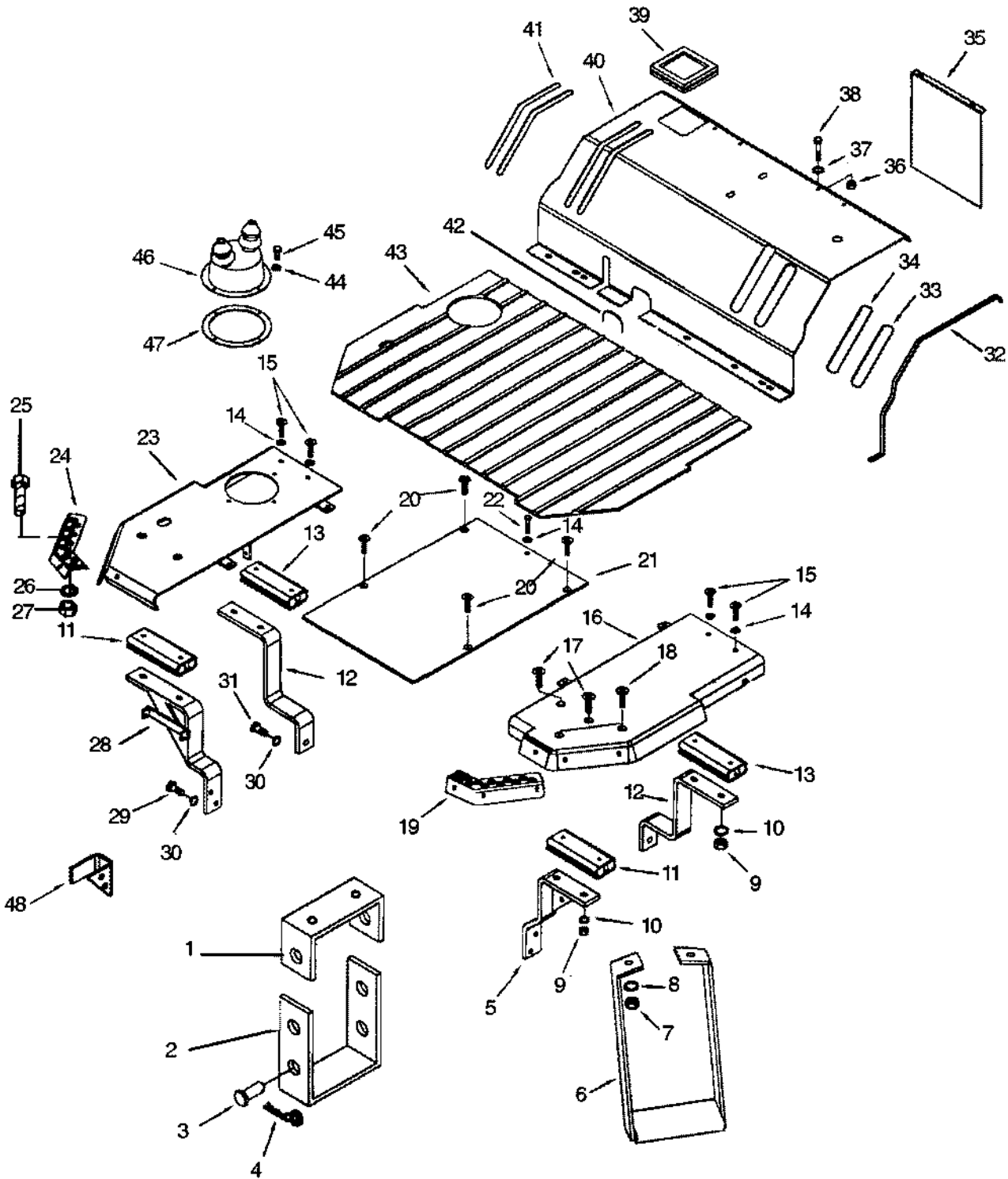
<i>ITEM</i>	<i>LONG No.</i>	<i>VENDOR No.</i>	<i>DESCRIPTION</i>	<i>QTY.</i>
				<b>70</b>
1	ESL13546	13-16410-AB	Panel Assembly, Hood Rear	1
2	44722-S8	44722-S36	Washer, Flat (5/16)	6
3	304665-S8	304665-S36	Bolt, Hex Head (5/16-24x0.88)	2
4	ESL13724	76NH-16N803-A	Screw	1
5	44719-S8	44719-S36	Washer, Flat (1/4)	3
6	ESL11522	78NH-16N591-AA	Bracket & Support Assembly	1
7	304632-S8	304632-S36	Bolt, Hex Head (1/4-20x0.62)	4
8	33797-S8	33797-S36	Nut, Hex (5/16-18)	2
9	ESL11828	76NH-16N802-A	Nut, Hood LH Panel	2
10	ESL12582	11-16600-AA	Support Assembly Hood Rear	1
11	ESL13541	25-18165-AA	Bracket, Front RH	1
12	ESL11824	D1NN-8N212-A	Nut, U-Type	6
13	ESL13542	25-18166-AA	Bracket, Front LH	1
14	ESL11891	74NH-3E616-A	Screw	6
15	ESL13727	25-18300-BC	Cover Steering	1
16	ESL14195	25-12062-AA	Rain Shield, Fuse Box	1



**REAR HOOD**

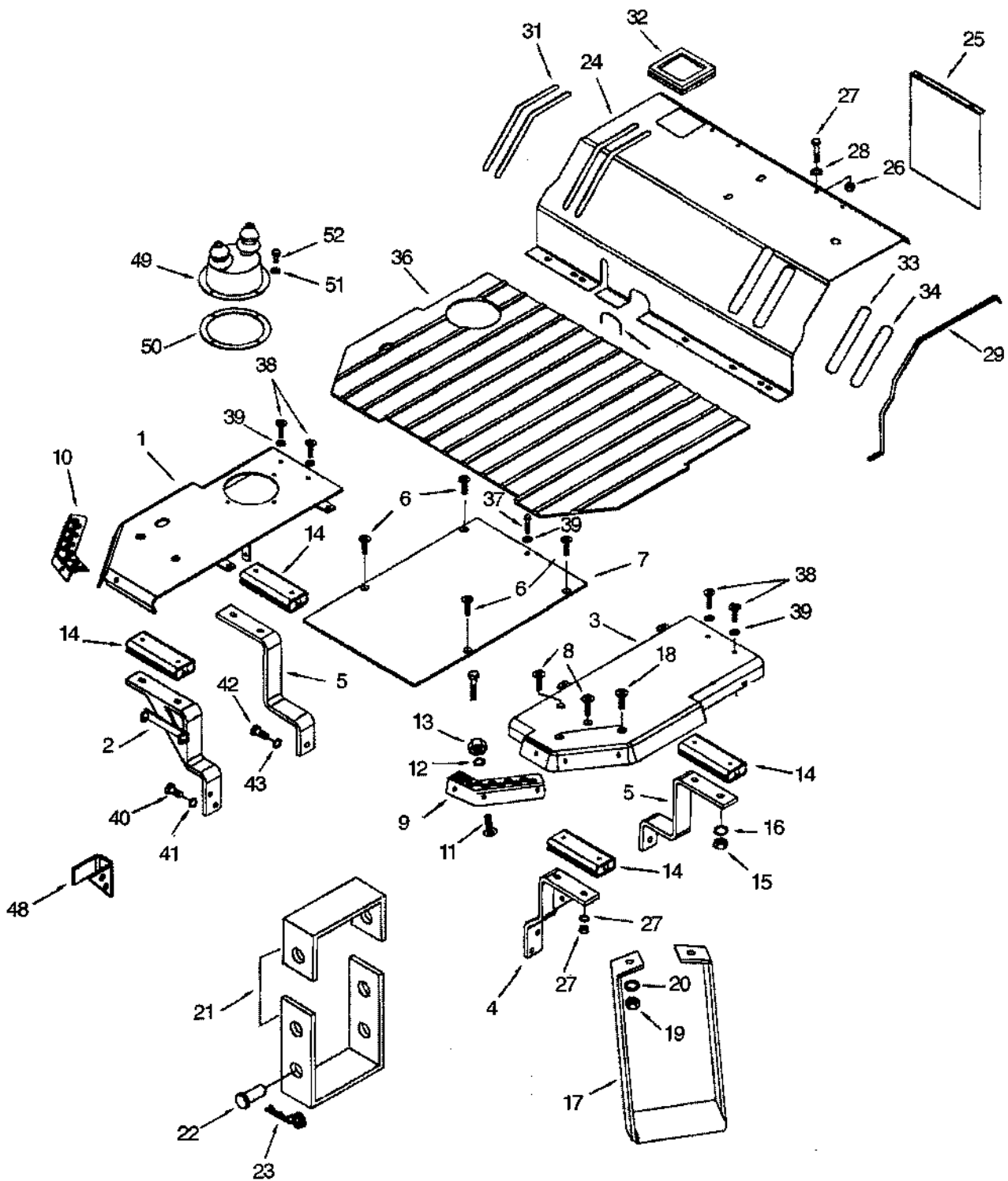


<b>ITEM</b>	<b>LONG No.</b>	<b>VENDOR No.</b>	<b>DESCRIPTION</b>	<b>QTY.</b>
				<b>80</b>
1	38207-S8	34207-S36	Screw, Pan Head (1/4-28x0.5)	3
2	44719-S8	44719-S36	Washer, Flat (1/4)	4
3	ESL13536	30-16410-BC	Panel Assembly, Hood Rear	1
4	304632-S8	304632-S36	Bolt, Hex Head (1/4-20x0.62)	4
5	44722-S8	44722-S36	Washer, Flat (5/16)	4
6	33797-S8	33797-S36	Nut, Hex (5/16-18)	2
7	ESL11523	71NH-16N600-A	Support Assembly, Hood Rear	1
8	ESL13725	30-18122-AA	Screw, Pan Head (1/4-28x0.75)	1
9	ESL13540	30-18300-CA	Cover, Steering	1
10	ESL11824	D1NN-8N212-A	Nut, U-Type	3
11	ESL13545	25-18551-AC	Bracket, Rear	1
12	ESL13502	30-13031-AA	Bracket Fuse Box Mounting	1
13	34806-S8	34806-S36	Washer, Lock (5/16)	2
14	304635-S8	304635-S36	Bolt, Hex Head (5/16-24x0.625)	2
15	ESL13543	30-18166-AA	Bracket, Front LH	1
16	ESL11891	74NH-3E616-A	Screw	3





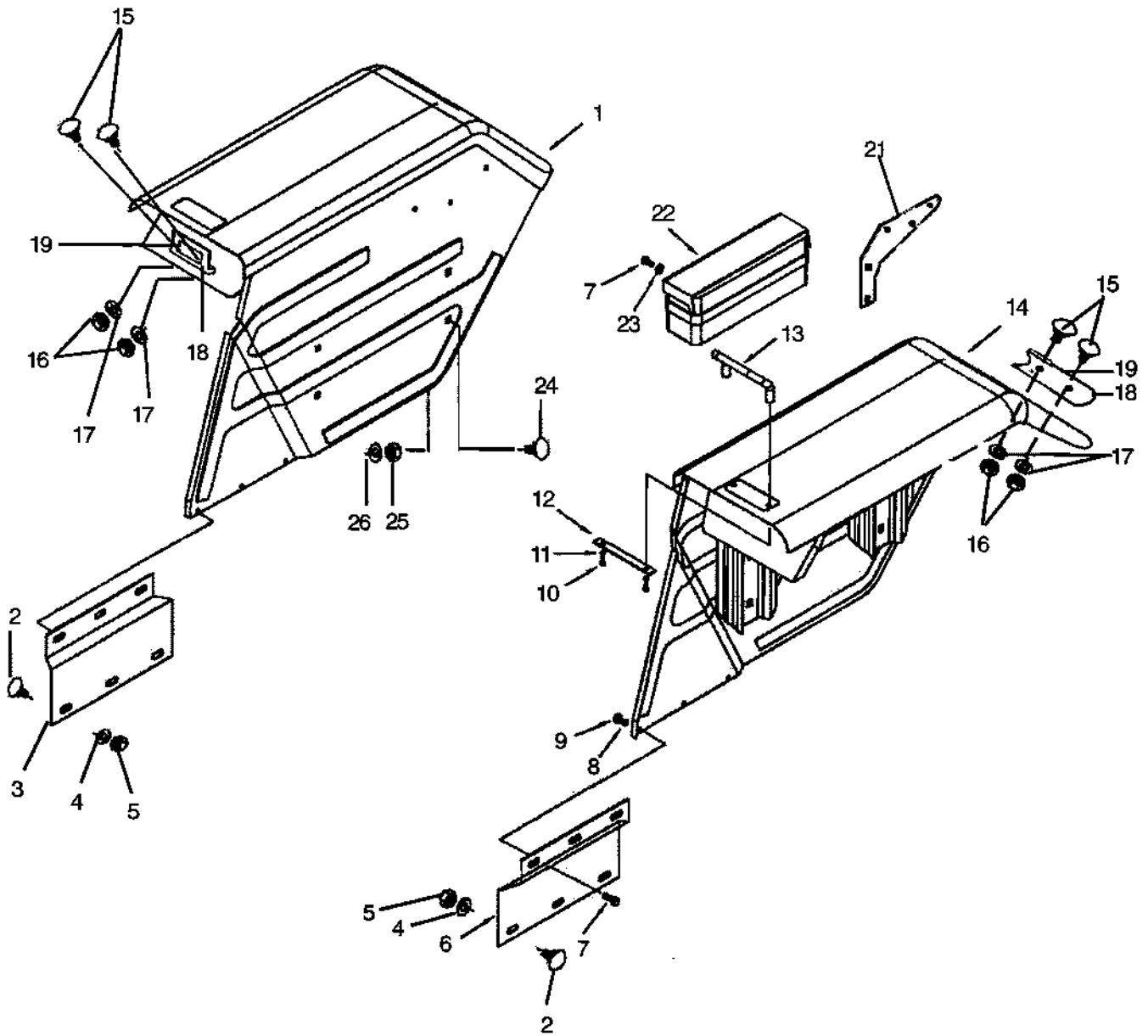
ITEM	LONG No.	VENDOR No.	DESCRIPTION	QTY.	
				70	80
1	ESL13573	30-16478-AA	Bracket	-	1
2	ESL13571	30-16477-AA	Step, Platform	-	1
3	ESL13574	30-16392-AA	Pin, Clevis	-	2
4	ESL12590	30-16391-AA	Clip, Pin	-	2
5	ESL13556	25-16476-CC	Bracket, Platform Mounting Front, LH	1	-
-	ESL13557	30-16476-AD	Bracket, Platform Mounting Front, LH	-	1
6	ESL13570	25-16477-BC	Step, Platform	1	-
7	N-620042-S8	N-620042-S36	Nut (M10)	2	2
8	N-630174-S8	N-630174-S36	Washer, Lock (M10)	2	2
9	N-630013-S8	N-630013-S36	Nut (M8)	8	8
10	N-630068-S8	N-630068-S36	Washer, Lock (M8)	8	8
11	ESL13568	25-16421-BA	Pad Isolator	2	-
-	ESL13569	30-16421-BA	Pad Isolator, Front	-	2
12	ESL13559	25-16474-CB	Bracket, Platform Mounting Rear	2	2
13	ESL13568	25-16421-BA	Pad Isolator	2	2
14	ESL12829	N-630028-S36	Washer, Flat (M8)	5	5
15	N-600213-S8	N-600213-S36	Bolt, Hex Head (M8x1.25x40)	4	4
16	ESL13554	25-16460-DB	Platform Assembly, LH	1	-
-	ESL13555	30-16460-BD	Platform Assembly, LH	-	1
17	ESL13563	25-16551-BC	C.S. Screw (M8x1.25x40)	4	4
18	ESL13572	25-16553-AA	C.S. Screw (M10x1.5x25)	2	2
19	ESL13564	25-16001-CA	Strip, Platform LH	1	-
-	ESL13565	30-16001-AA	Strip, Platform LH	-	1
20	ESL13560	25-16554-BA	C.S. Screw (M8x1.25x20)	4	4
21	ESL13561	25-16465-BD	Plate, Center Platform	1	-
-	ESL13562	30-16465-AB	Plate, Centre Platform	-	1
22	N-605531-S8	N-605531-S36	Bolt, Hex Head (M8x1.25x20)	1	1
23	ESL13550	25-16450-DC	Platform Assembly, RH	1	-
-	ESL13551	30-16450-BC	Platform Assembly, RH	-	1
24	ESL13566	25-16002-AA	Strip, Platform RH	1	-
-	ESL13567	30-16002-AA	Strip, Platform RH	-	1
25	ESL11887	54351-S36	Screw	6	6
26	ESL11724	74NH-3N782-A	Washer	6	6
27	ESL12552	34053-S36	Nut	6	6
28	ESL13552	25-16491-CB	Bracket, Platform Mounting Front RH	1	-
-	ESL13553	30-16491-AH	Bracket, Platform Mounting Front RH	-	1
29	304722-S8	304722-S36	Bolt, Hex (3/8-16x1.25)	4	-
-	N-605561-S8	N-605561-S36	Bolt, Hex (M12x1.75x40)	-	2
-	N-605559-S8	N-605559-S36	Bolt, hex (M12x1.75x30)	-	2
30	34807-S36	34807-S36	Washer, Lock (3/8)	4	-



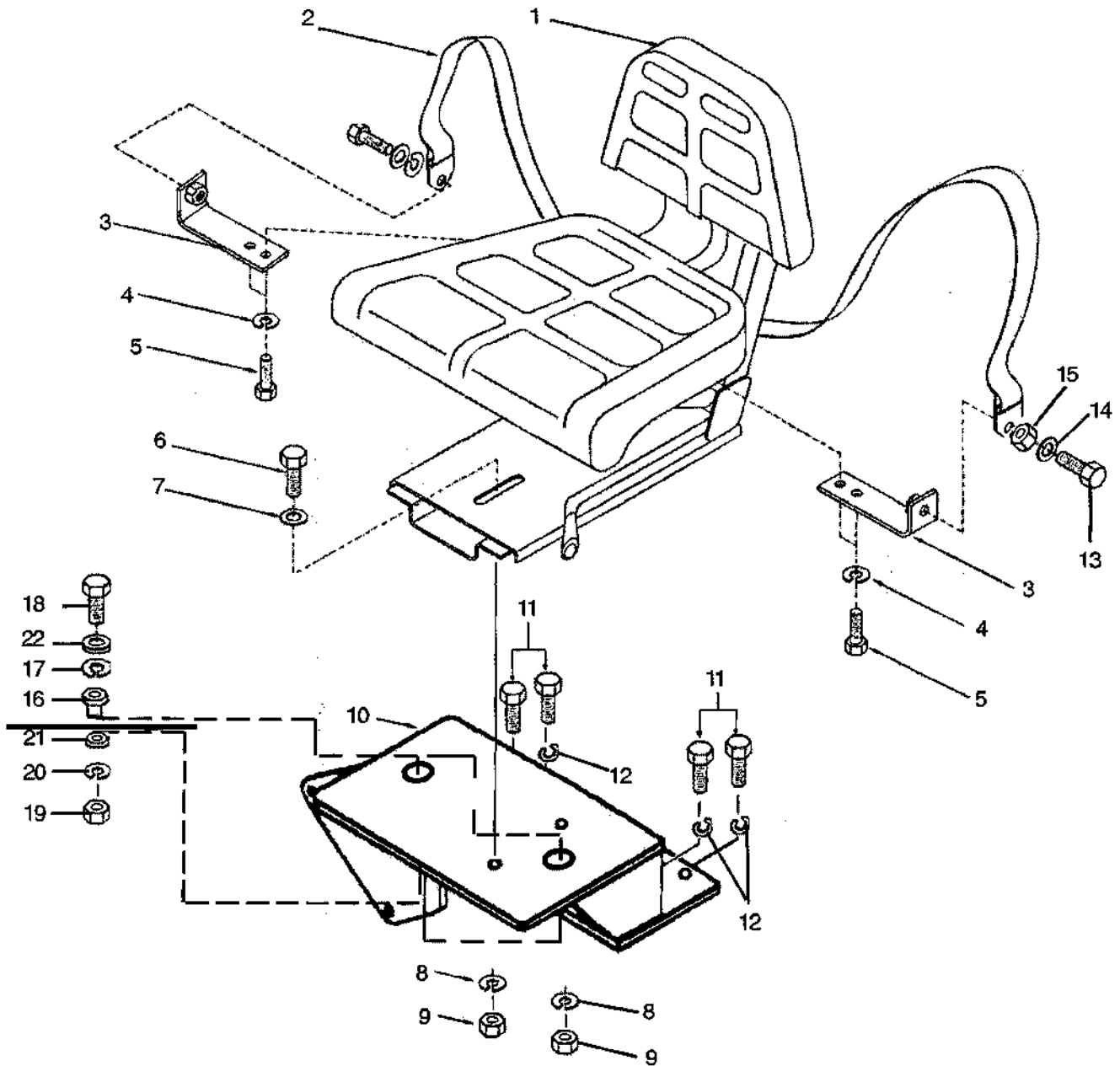
**RUNNING BOARD**



ITEM	LONG No.	VENDOR No.	DESCRIPTION	QTY.	
				70	80
30	ESL12018	34809-S36	Washer, Lock	2	6
31	ESL12653	N-601796-S36	Bolt (12x1.75x25)	2	2
32	ESL13577	25-16201-AA	Beading Console, Side	2	2
33	ESL13589	25-16202-EA	Beading, Parking Brake	1	1
34	ESL13588	25-16202-DA	Beading, PTO Clutch Lever	1	1
35	ESL13576	25-16204-AA	Cover, Rear Console	1	1
36	33796-S8	33796-S36	Nut	2	2
37	44719-S8	44719-S36	Washer	2	2
38	ESL12014	304633-S36	Bolt (1/4-28)	2	2
39	ESL13580	25-16202-CA	Beading, Spool Control Lever	1	1
40	ESL13575	25-16498-CA	Console Rear	1	1
41	ESL13579	25-16202-BA	Beading, Hydraulic Control Lever	2	2
42	ESL13590	25-16202-FA	Beading, Flow Control Valve	1	1
43	ESL13591	25-16203-AB	Foot Mat, Platform	1	-
-	ESL13592	30-16203-BB	Foot Mat, Platform	-	1
44	N-630067-S8	N-630067-S36	Washer, Flat (M6)	4	4
45	ESL13593	25-70444-CA	Bracket Cable	-	1



ITEM	LONG No.	VENDOR No.	DESCRIPTION	QTY.	
				70	80
1	ESL13596	25-16350-DA	Body Assembly, Fender Rear, RH	1	1
2	ESL12668	E-602184-S36	Bolt (M8-1.25x12)	4	4
3	ESL13597	30-16330-BB	Extension, Fender Rear, RH	1	1
4	44726-S8	44726-S36	Washer, Flat	4	4
5	N-620013-S8	N-620013-S36	Nut (M8)	4	4
6	ESL13599	30-16342-BB	Extension, Fender Rear, LH	1	1
7	ESL12014	304633-S36	Bolt, Hex Head (1/4-28x0.62)	9	9
8	44719-S8	44719-S36	Washer, Flat (1/4)	6	6
9	33796-S8	33796-S36	Nut, Flat (1/4-28)	6	6
10	304682-S8	304682-S36	Bolt, Hex Head (5/16-18x1.00)	4	4
11	ESL11975	34806-S36	Washer, Lock (5/16)	4	4
12	ESL13602	25-16339-AA	Plate	2	2
13	ESL11555	92NH-16N341-AA	Hold Down	2	2
14	ESL13598	25-16340-DA	Body Assembly, Fender Rear, LH	1	1
15	304647-S8	304647-S8	Bolt (1/4-28x3/4)	8	8
16	33796-S8	33796-S8	Nut, Hex (1/4-28)	8	8
17	34805-S8	34805-S8	Washer, Lock (1/4)	8	8
18	905976		Rear Reflector Bracket	4	4
19	906010		Amber Reflector Decal	4	4
20	906011		Plug, Hole (3/4) (NI) For Fender Holes	4	4
21	ESL13270	25-17405-AA	Toolbox Mounting Bracket	1	1
22	ESL13600	11-17000-AA	Box Assembly, Tool	1	1
23	34941-S8	34941-S36	Washer, External Tooth (5/16)	3	3
24	58851-S8	58851-S36	Bolt, Carriage (1/2-13x1.5)	8	8
25	44734-S8	44734-S36	Washer, Flat (1/2)	8	8
26	33845-S8	33845-S36	Nut, Hex (1/2-13)	8	8

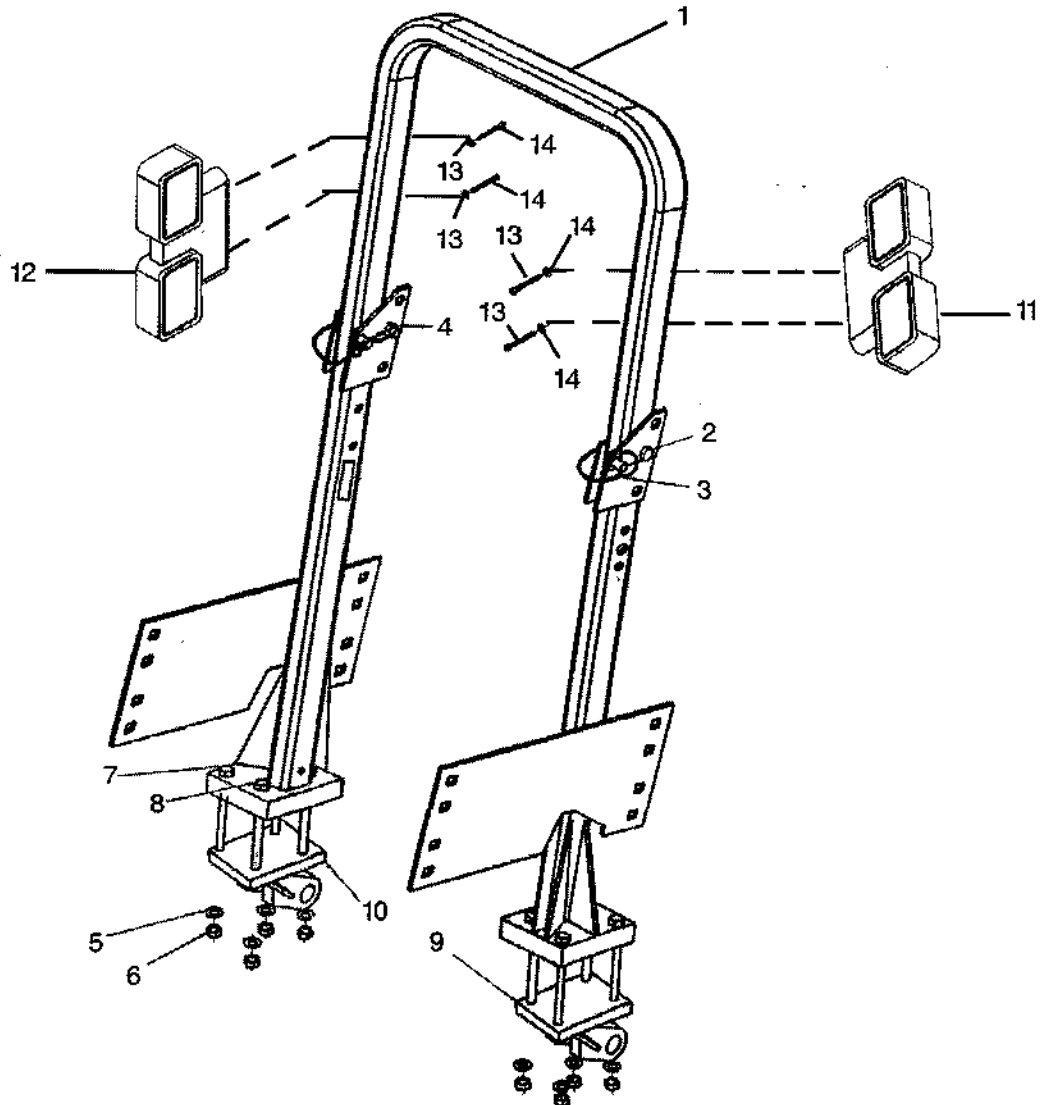


**DELUXE SEAT ASSEMBLY**



ITEM	LONG No.	VENDOR No.	DESCRIPTION	QTY.	
				70	80
1	904201		Seat Assembly, Driver	1	1
2	ESL11584	12-04450-BA	Belt, Driver Seat	1	1
3			Bracket	1	1
4			Washer	1	1
5			Bolt	1	1
6	304724-S8	304724-S36	Bolt, Hex Head (7/16-14x1.25)	2	2
7	ESL12074	356420-S36	Washer, Flat (7/16)	2	2
8	44722-S8	44722-S36	Washer, Lock (7/16)	2	2
9	34670-S8	34670-S36	Nut, Hex (7/16-14)	2	2
10	ESL13603	25-04089-CA	Support Seat Mounting	1	-
-	ESL13604	30-04089-AA	Support Seat Mounting	-	1
11	N-601805-S8	N-601805-S36	Bolt (M14x2x25)	4	-
12	N-630187-S8	N-630187-S36	Washer, Lock (M14)	4	4
13	ESL12841	N-605532-S36	Bolt, Hex (M8x1.25x25)	8	-
14	N-630068-S8	N-630068-S36	Washer (M8)	16	-
15	N-620013-S8	N-620013-S36	Nut (M8)	8	-
16	905996	25-04526-BA	Rubber Mount	4	-
17	905947	25-04092-AA	Washer, Rubber Mount, Thrust	4	-
18	N-600417-S8	N-600417-S36	Bolt	1	1
19	N-620603-S8	N-620603-S36	Nut	1	1
20	34809-S8	34809-S8	Washer, Lock	1	1
21	905998		Mount Washer, Small	1	1
22	788443		Spacer (1.50-0.750-0.500)	1	1

ITEM	LONG No.	VENDOR No.	DESCRIPTION	QTY.	
				70	80
1	905718		Roll Bar	1	1
2	304940S8	202662283	Bolt, Hex Head (1/2-13x3 1/2) GR5	2	2
3	902480	230298000	Pin, Clevis Assembly	2	2
4	34979-S8	292508383	Nut, Prev.Torque (1/2-13) GR5	2	2
5	34811-S8	202661783	Washer, Lock (5/8)	8	8
6	33849-S8	202661883	Nut, Hex (1/4-20) GR5	8	8
7	301342-S8	292016183	Bolt, Hex Head (1/2-13x9) GR5	4	4
8	301333-S8	292026283	Bolt, Hex Head (1/2-13x8 1/2) GR5	4	4
9	905732	720880001	Link, LH W/A	1	1
10	905733	720880101	Link, RH W/A	1	1
11	905782		Lollipop Signal Light, RH	1	1
12	905781		Lollipop Signal Light, LH	1	1
13	N-600218-S8	N-600218-S8	Bolt (8mmx1.25x65mm)	4	4
14	N-630173-S8	N-630173-S8	Washer, Lock (8MM)	4	4



**ROPS**

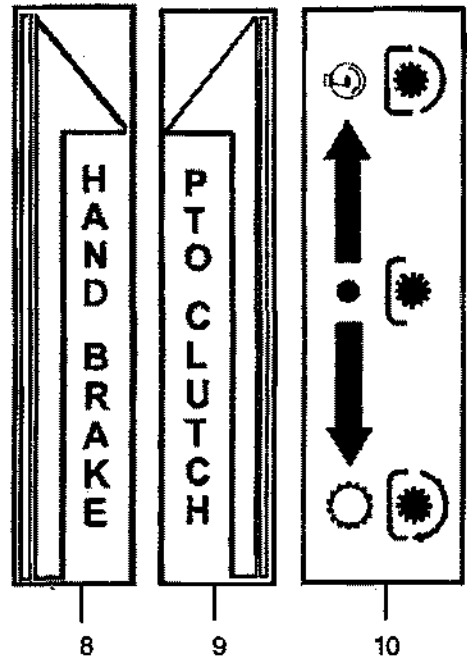
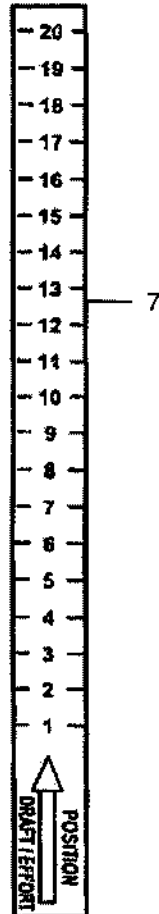
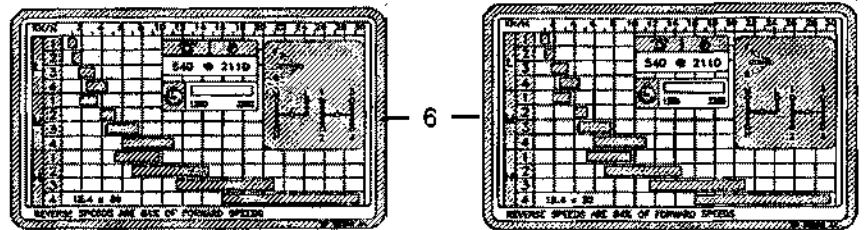
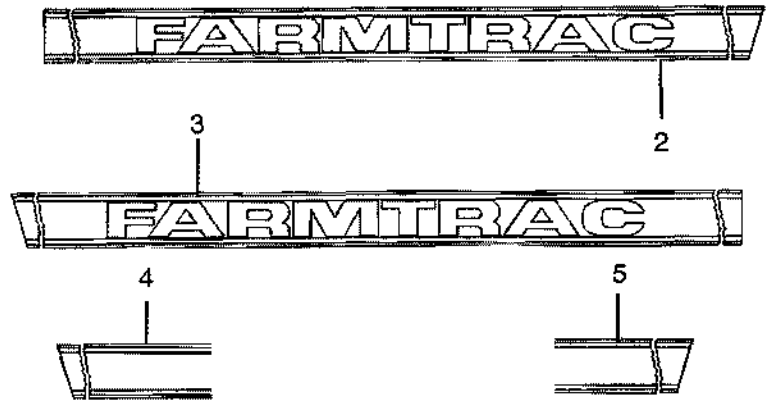
# DECALS

No Longer Available



**Long Agribusiness**

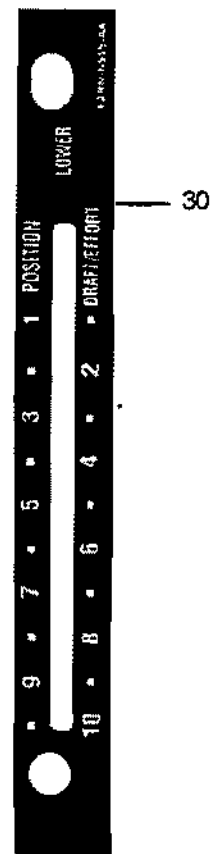
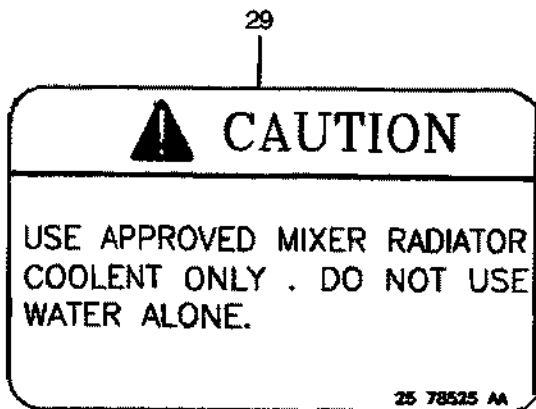
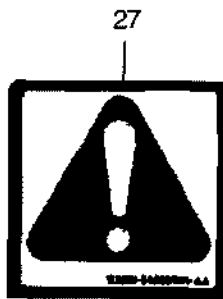
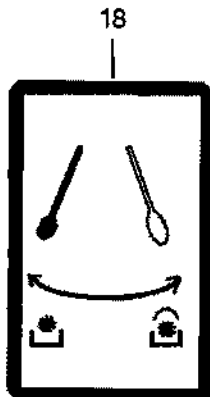
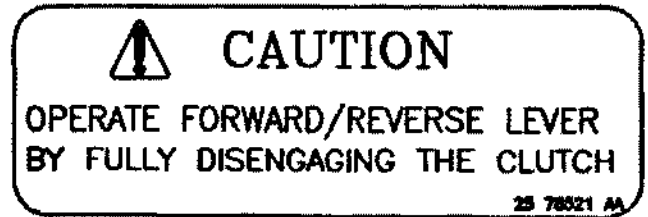
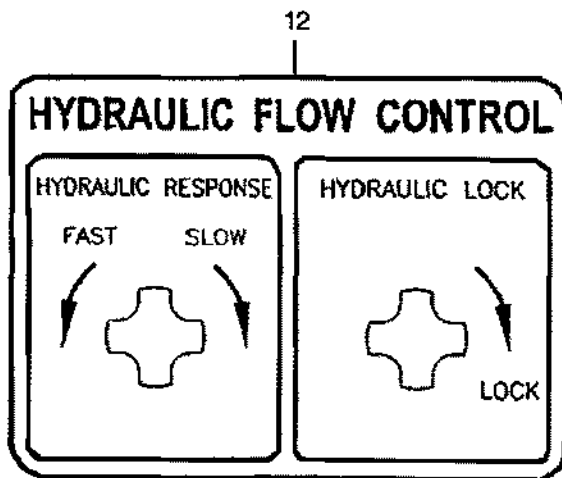
COMMON SENSE SOLUTIONS







ITEM	LONG No.	VENDOR No.	DESCRIPTION	QTY.	
				70	80
1	ESL13605	25-98300-AA	Decal, Model Identification Front	1	-
-	ESL13606	30-98300-AA	Decal, Model Identification, Front	-	1
2	ESL11611	82835283	Decal, Model Identification Center, RH	1	-
-	ESL13608	30-98285-AA	Decal, Model Identification Center, RH	-	1
3	ESL11610	82835284	Decal, Model Identification Center, LH	1	-
-	ESL13608	30-98285-AA	Decal, Model Identification Center, LH	-	1
4	ESL11613	82835241	Decal, Model Identification Rear, LH	1	1
5	ESL11614	82835242	Decal, Model Identification Rear, RH	1	1
6	ESL13609	25-78292-AA	Decal, Transmission Shift Pattern	1	-
-	ESL13616	30-78292-AA	Decal, Transmission Shift Pattern	-	1
7	ESL13610	25-78515-AA	Decal, Hydraulic Pump & Lift Quadrant	1	1
8	ESL13611	25-78516-AA	Decal, Parking Brake	1	1
9	ESL13612	25-78517-AA	Decal, Clutch PTO	1	1
10	ESL13613	25-78520-AA	Decal, PTO	1	1
11	ESL13615	25-78519-BA	Decal, Differential Lock	1	1

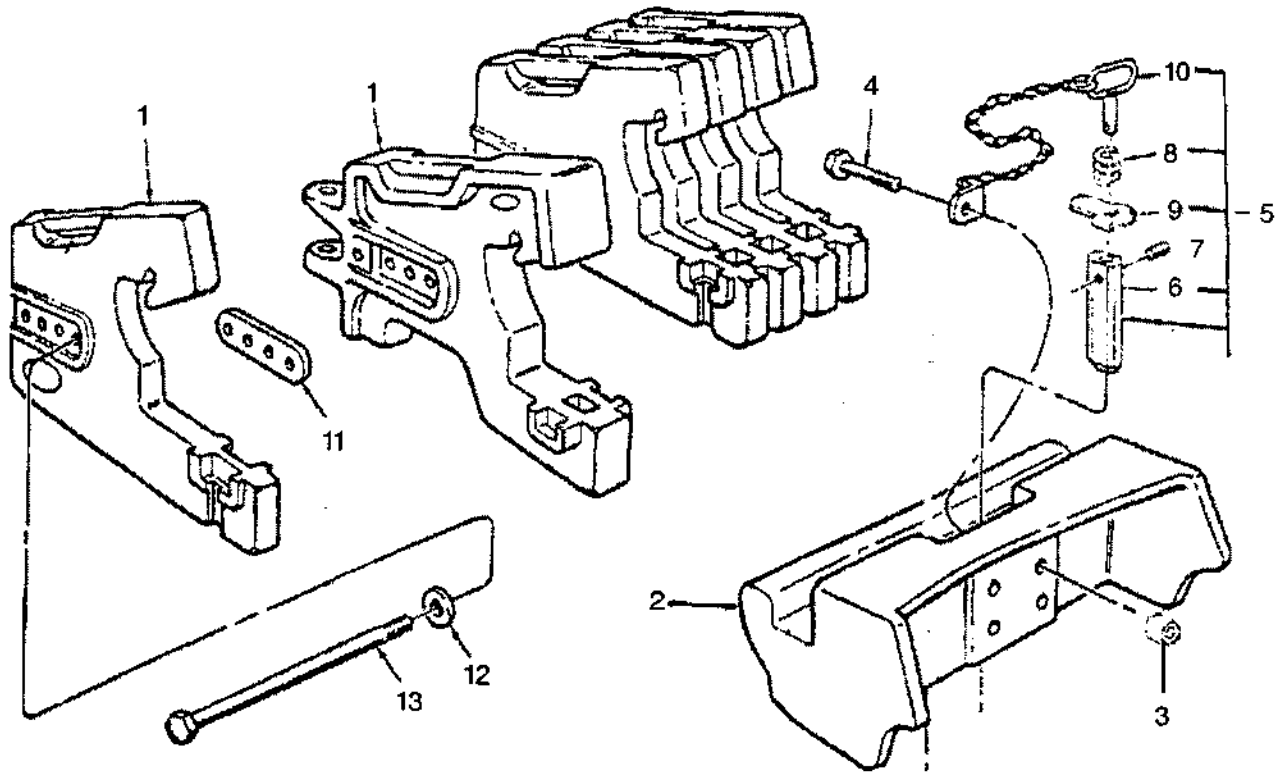




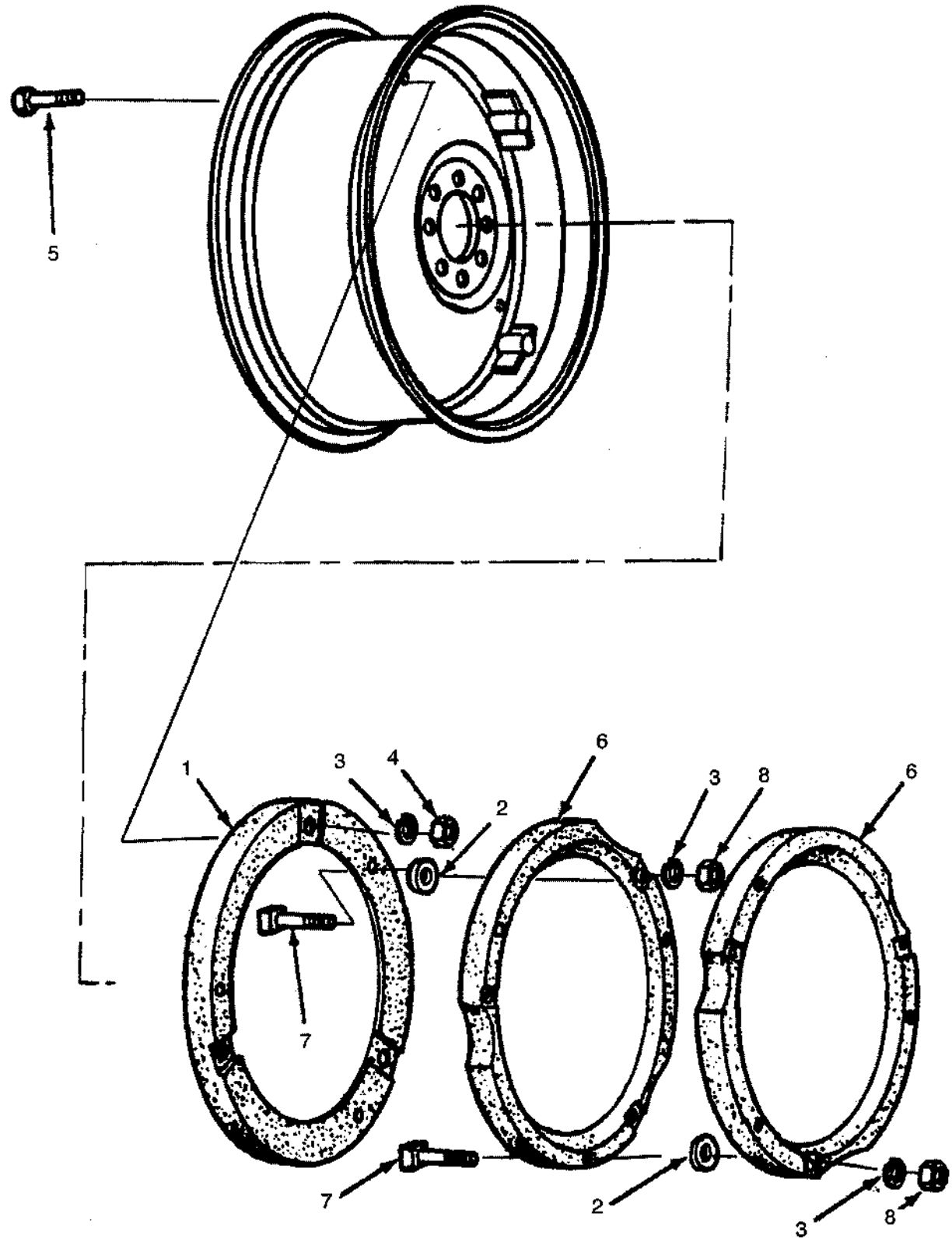
ITEM	LONG No.	VENDOR No.	DESCRIPTION	QTY.	
				70	80
12	ESL13614	25-78518-AA	Decal, Hydraulic Flow Control	1	1
13	ESL13617	25-78521-AA	Decal, F/R Warning	1	1
14	ESL11622	81NH-9B226-AA	Decal, Filter Cleanliness	1	1
15	ESL13618	E2NN-94000R86-AA	Decal, Vehicle Warning (NI)	1	1
16	ESL11621	82835148	Decal, Tractor Maintenance Service (NI)	1	1
17	ESL11637	82835414	Decal, Warning Instructions (NI)	1	1
18	ESL11628	82972948	Decal, PTO Control	1	1
19	ESL13619	82835398	Heat Reflective Tape (NI)	1	1
20	ESL11617	92NH-16A901-AA	Decal, Operator Instruction (NI)	1	1
21	ESL11623	93NH-14N099-AA	Decal, Fuse Box (NI)	1	1
22	ESL11640	11-78478-AA	Decal, Thermostat (NI)	1	1
23	ESL13693	11-98124-AA	Decal, Starting Warning (NI)	1	1
24	ESL13694	11-98125-AA	Decal, Torque (NI)	1	1
25	ESL13695	11-98126-AA	Decal, Tractor Warning (NI)	1	1
26	ESL13696	11-98127-AA	Decal, Seat Belt (NI)	1	1
27	ESL13697	11-98128-AA	Decal, Caution	1	1
28	ESL13698	25-98130-AF	Decal, EPA Engine (NI)	1	-
29	ESL13699	25-78525-AA	Decal, Radiator	-	1
30	ESL11618	E2NN-N515-A	Decal, Hydraulic Pump & Lift	1	1



# ***OPTIONS***



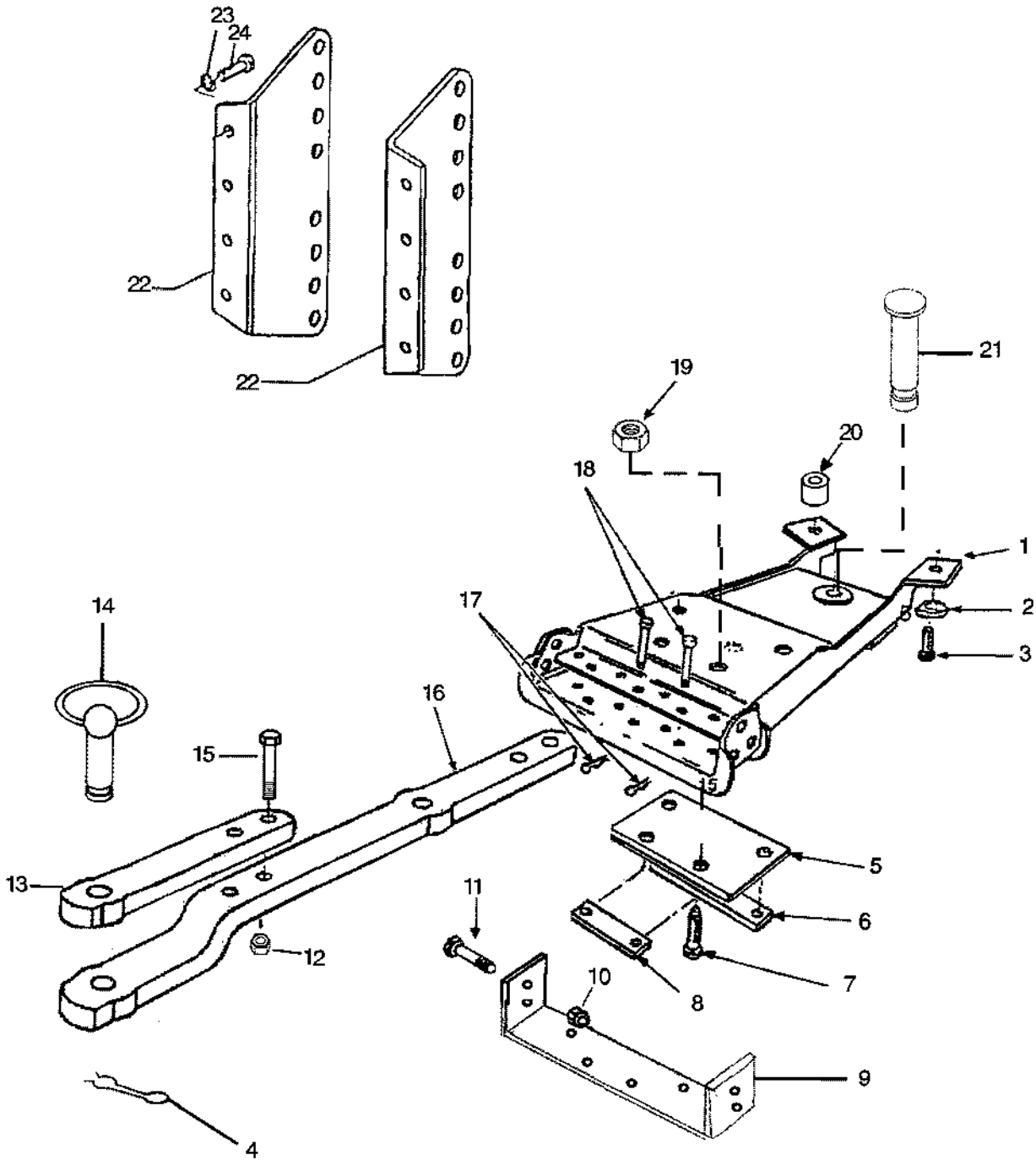
ITEM	LONG NO.	VENDOR NO.	DESCRIPTION	QTY.	
				70	80
1	ESL13626	E0NN-3A370-AA	Weight, Front End	6	6
2	ESL13627	E9NN-3N241-AB	Carrier, Front End Weight	1	1
3	ESL13628	F0NN-10A652-AA	Spacer	4	4
4	304946-S8	304946-S36	Bolt, Hex Head (3/4-10x3.50)	4	4
5	ESL13629	82835172	Pin Assembly, Front End Weight Retainer	1	1
6	ESL13630	E0NN-3N238-AA	Pin, Front Weight Retainer	1	1
7	ESL13631	E-643262-S	Pin	1	1
8	ESL13632	E0NN-3N244-AA	Spring, Front End Weight Retainer	1	1
9	ESL13633	E0NN-3N243-AA	Bracket, Front End Retainer	1	1
10	ESL13634	82835171	Chain & Clevis Only	1	1
11	ESL13635	E0NN-3N245-AA	Plate, Front End Weight Clamp	1	1
12	E630038-S8	E630038-S71	Washer, Flat (M16)	4	4
13	82835166	82835166	Bolt, Front End Weight	4	4



**REAR END WEIGHTS**



<i>ITEM</i>	<i>LONG No.</i>	<i>VENDOR No.</i>	<i>DESCRIPTION</i>	<i>QTY.</i>	
				<b>70</b>	<b>80</b>
1	ESL13636	FONN-10A652-AA	Weight, Rear Wheel Main	2	2
2	ESL11697	230888	Washer, Wheel Weight Retainer	12	12
3	34811-S8	34811-S36	Washer, Lock (5/8)	8	8
4	ESL12021	33850-S36	Nut (5/8)	8	8
5	58873-S6	58873-S36	Bolt (5/8-18x2.25)	8	8
6	ESL10926	960E-1076	Weight, Rear Wheel Auxillary	4	4
7	380304-S8	380304-S36	Bolt, Square Head (5/8-11x3.00)	12	12
8	33849-S8	33849-S36	Nut (5/8-11)	12	12



ITEM	LONG No.	VENDOR No.	DESCRIPTION	QTY.	
				70	80
1	ESL12589	11-97809-AA	Hanger Assembly, Drawbar	1	1
2	ESL11712	C5NN-N826-A	Washer, Drawbar Hanger	2	2
3	304869-S8	304869-S36	Bolt, Hex Head (5/8-18x2.25)	2	2
4	ESL11169	93NH-311920-A	Spring, Drawbar Pin	2	2
5	ESL11184	C5NN-A804-A	Plate, Drawbar Hanger	1	1
6	ESL11176	C5NN-N819-F	Strap	1	1
7	3044838-S8	304838-S36	Bolt, Hex Head (5/8-11x2.00)	4	4
8	ESL11175	C5NN-N819-E	Strap	1	1
9	ESL13637	25-97835-AA	Bracket, Hanger Support	1	1
10	N-620016-S8	N-620016-S36	Nut	4	2
11	ESL13717	25-97820-AA	Bolt, Hanger Support	4	4
12	55722-S7	55722-S7	Nut, Hex	2	2
13	ESL13713	11-97028-AA	Strap, Drawbar Clevis	1	1
14	ESL13714	12-97126-CA	Pin, Drawbar Clevis	1	1
15	379977-S6	379977-S36	Bolt, Hex Head	2	2
16	ESL12585	11-97805-AA	Drawbar, Swinging	1	1
17	ESL12590	30-16391-AA	Pin, Clip	2	2
18	ESL11177	C5NN-N823-G	Pin	2	2
19	ESL11902	379223-S36	Nut, Hex (5/8-11)	4	4
20	ESL13638	25-97830-AA	Spacer	2	2
21	ESL12615	12-97126-BA	Pin, Drawbar Swinging	2	2
22	ESL13621	25-93125-AA	Bracket, Tow Hook Mounting	2	2
23	ESL12719	N-630176-S36	Washer, Lock (M16)	8	8
24	ESL13692	25-93481-AA	Bolt, Hex (M16-2.0x35)	8	8

# Notes

# ***NUMERICAL INDEX***

**70/80**
**70/80 PART NUMBERS W/CORRESPONDING PAGE NUMBER**

<b>PART #</b>	<b>PAGE #</b>	<b>PART #</b>	<b>PAGE #</b>	<b>PART #</b>	<b>PAGE#</b>	<b>PART #</b>	<b>PAGE #</b>
788443	204	304665-S8	188	33798-S8	44	34991-S8	86
799716	177	304665-S8	194	33799-S8	179	370664-S	12
902480	205	304666-S8	14	33845-S8	202	378310-S8	14
903560	161	304666-S8	46	33845-S8	92	378881-S	40
904201	204	304682-S8	179	33849-S8	205	379586-S8	62
904540	210	304682-S8	202	33849-S8	214	379977-S6	216
905718	205	304682-S8	2	33849-S8	86	380304-S8	214
905732	205	304682-S8	44	33849-S8	96	38207-S8	196
905733	205	304683-S8	177	33925-S8	112	38207-S8	66
905781	205	304684-S8	14	33925-S8	141	383705-S8	177
905782	205	304685-S8	76	33925-S8	102	388769-S	177
905947	204	304701-S8	75	34053-S8	151	42974-S8	46
905976	202	304722-S8	169	34053-S8	179	42997-S8	173
905996	204	304722-S8	198	34670-S8	204	43164-S2	6
905998	204	304722-S8	14	34791-S8	173	43191-S2	10
906010	202	304722-S8	40	34792-S8	14	44710-S8	75
906011	202	304722-S8	96	34792-S8	96	44719-S8	177
906195	94	304724-S8	204	34803-S8	179	44719-S8	190
906207	94	304724-S8	8	34803-S8	62	44719-S8	192
906208	94	304724-S8	10	34805-S8	202	44719-S8	194
906211	90	304739-S8	173	34806-S8	161	44719-S8	196
906211	94	304743-S8	141	34806-S8	196	44719-S8	200
906212	90	304758-S8	44	34806-S8	2	44719-S8	202
906323	183	304758-S8	76	34806-S8	8	44719-S8	62
82835166	212	304760-S8	165	34806-S8	8	44719-S8	62
82835179	62	304760-S8	4	34807-S36	198	44719-S8	66
23017-S2	177	304760-S8	40	34807-S8	165	44719-S8	74
23607-S8	75	304807-S8	6	34807-S8	169	44720-S8	161
300866-S8	4	304869-S8	216	34807-S8	179	44722-S8	177
300880-S8	88	304883-S8	96	34807-S8	2	44722-S8	179
301333-S8	205	304912-S8	96	34807-S8	40	44722-S8	188
301342-S8	205	304940S8	205	34807-S8	40	44722-S8	194
302549-S8	76	304946-S8	212	34807-S8	88	44722-S8	196
3044838-S8	216	304955-S8	96	34807-S8	90	44722-S8	204
304632-S8	194	311113-S8	163	34808-S8	177	44722-S8	44
304632-S8	196	337490-S8	92	34808-S8	8	44722-S8	66
304634-S8	8	33796-S8	177	34808-S8	10	44724-S8	177
304634-S8	66	33796-S8	200	34808-S8	76	44726-S8	131
304635-S8	196	33796-S8	202	34809-S8	204	44726-S8	184
304647-S8	202	33796-S8	202	34811-S8	205	44726-S8	202
304648-S8	161	33796-S8	62	34811-S8	214	44726-S8	14
304648-S8	2	33796-S8	62	34903-S8	179	44726-S8	40
304648-S8	8	33796-S8	74	34941-S8	179	44726-S8	46
304650-S8	186	33797-S2	177	34941-S8	202	44726-S8	62
304650-S8	188	33797-S8	161	34941-S8	44	44726-S8	62
304650-S8	2	33797-S8	173	34941-S8	66	44726-S8	74
304650-S8	38	33797-S8	194	34942-S8	186	44728-S8	112
304650-S8	40	33797-S8	196	34942-S8	188	44728-S8	186
304650-S8	90	33797-S8	66	34978-S8	75	44728-S8	188
304652-S8	177	33798-S8	188	34979-S8	205	44728-S8	102

**70/80 FARMTRAC PART NUMBERS W/CORRESPONDING PAGE NUMBER**

<b>PART #</b>	<b>PAGE #</b>	<b>PART #</b>	<b>PAGE #</b>	<b>PART #</b>	<b>PAGE#</b>	<b>PART #</b>	<b>PAGE #</b>
44734-S8	202	ESL10021	163	ESL10128	8	ESL10221	38
44748-S8	6	ESL10021	88	ESL10131	8	ESL10222	38
45189-S8	192	ESL10021	92	ESL10132	8	ESL10227	38
45964-S8	4	ESL10022	163	ESL10133	8	ESL10229	38
46008-S8	40	ESL10027	2	ESL10134	8	ESL10231	38
50528-S8	190	ESL10030	46	ESL10135	8	ESL10236	40
50528-S8	192	ESL10032	2	ESL10136	8	ESL10237	40
54042-S8	62	ESL10039	2	ESL10137	8	ESL10238	40
54049-S8	179	ESL10045	2	ESL10138	8	ESL10241	40
55670-S8	190	ESL10046	8	ESL10139	8	ESL10243	40
55722-S7	216	ESL10047	2	ESL10140	8	ESL10244	40
58639-S8	4	ESL10051	2	ESL10141	8	ESL10245	40
58655-S8	141	ESL10052	2	ESL10143	8	ESL10247	40
58676-S8	92	ESL10054	2	ESL10145	10	ESL10248	40
58851-S8	202	ESL10060	2	ESL10146	10	ESL10256	44
58873-S6	214	ESL10066	4	ESL10147	10	ESL10257	44
600212-S8	74	ESL10068	4	ESL10149	8	ESL10257	66
620042-S8	42	ESL10069	2	ESL10150	8	ESL10258	44
630174-S8	42	ESL10070	2	ESL10152	8	ESL10258	66
630174-S8	90	ESL10071	2	ESL10154	8	ESL10264	44
72004-S8	161	ESL10072	2	ESL10155	8	ESL10270	44
72016-S8	131	ESL10074	2	ESL10156	10	ESL10273	46
72017-S8	112	ESL10075	2	ESL10157	8	ESL10275	46
72017-S8	127	ESL10080	2	ESL10161	8	ESL10276	46
72017-S8	143	ESL10081	2	ESL10167	2	ESL10280	44
72017-S8	102	ESL10082	2	ESL10167	8	ESL10284	40
72017-S8	104	ESL10083	2	ESL10171	12	ESL10285	40
72035-S8	112	ESL10084	4	ESL10172	12	ESL10293	44
73919-S8	112	ESL10085	90	ESL10173	12	ESL10294	44
73919-S8	127	ESL10086	2	ESL10174	6	ESL10295	44
73919-S8	102	ESL10087	2	ESL10175	6	ESL10295	66
73919-S8	104	ESL10088	2	ESL10176	6	ESL10296	44
73979-S8	143	ESL10089	2	ESL10177	12	ESL10297	44
74178-S8	8	ESL10092	2	ESL10178	12	ESL10298	44
76023-S8	131	ESL10093	2	ESL10179	12	ESL10298	66
76023-S8	62	ESL10096	4	ESL10180	12	ESL10298	90
86438-S8	163	ESL10097	4	ESL10181	12	ESL10298	94
87039-S8	90	ESL10103	6	ESL10185	14	ESL10299	44
97013-S36	112	ESL10105	6	ESL10188	14	ESL10302	50
97013-S8	141	ESL10108	6	ESL10189	14	ESL10303	50
97013-S8	143	ESL10109	6	ESL10190	14	ESL10308	48
97013-S8	104	ESL10110	6	ESL10191	14	ESL10309	50
E-602189-S8	173	ESL10111	6	ESL10193	14	ESL10311	48
E-602189-S8	100	ESL10113	6	ESL10195	14	ESL10313	48
E-602230-S8	98	ESL10115	6	ESL10196	14	ESL10328	48
E630038-S8	212	ESL10118	6	ESL10197	14	ESL10329	48
ELS10021	163	ESL10120	2	ESL10198	14	ESL10330	48
ESL10008	163	ESL10121	6	ESL10200	14	ESL10331	48
ESL10017	2	ESL10122	6	ESL10201	14	ESL10332	48
ESL10021	145	ESL10127	8	ESL10203	14	ESL10333	48

**70/80 FARMTRAC PART NUMBERS W/CORRESPONDING PAGE NUMBER**

<b>PART #</b>	<b>PAGE #</b>	<b>PART #</b>	<b>PAGE #</b>	<b>PART #</b>	<b>PAGE#</b>	<b>PART #</b>	<b>PAGE #</b>
ESL10334	48	ESL10439	58	ESL10524	82	ESL11352	177
ESL10335	48	ESL10440	58	ESL10526	82	ESL11353	177
ESL10336	48	ESL10441	58	ESL10528	82	ESL11354	177
ESL10337	48	ESL10442	58	ESL10529	82	ESL11355	177
ESL10338	48	ESL10443	60	ESL10542	82	ESL11356	177
ESL10339	48	ESL10444	60	ESL10543	86	ESL11357	177
ESL10340	50	ESL10445	60	ESL10597	88	ESL11358	177
ESL10341	50	ESL10446	60	ESL10597	92	ESL11360	179
ESL10342	50	ESL10447	60	ESL10599	88	ESL11362	179
ESL10343	50	ESL10452	62	ESL10599	92	ESL11364	179
ESL10351	50	ESL10452	74	ESL10612	86	ESL11365	179
ESL10353	50	ESL10455	62	ESL10613	86	ESL11372	179
ESL10354	50	ESL10457	62	ESL10614	86	ESL11374	179
ESL10355	50	ESL10457	74	ESL10617	86	ESL11381	179
ESL10357	44	ESL10460	62	ESL10620	86	ESL11400	181
ESL10357	60	ESL10460	74	ESL10646	88	ESL11407	181
ESL10358	50	ESL10461	62	ESL10648	88	ESL11408	181
ESL10359	50	ESL10462	62	ESL10648	92	ESL11409	181
ESL10361	50	ESL10463	62	ESL10654	102	ESL11449	183
ESL10362	48	ESL10464	64	ESL10663	102	ESL11450	183
ESL10368	52	ESL10468	62	ESL10668	96	ESL11461	189
ESL10384	52	ESL10471	62	ESL10868	141	ESL11471	184
ESL10385	52	ESL10472	64	ESL10901	94	ESL11490	186
ESL10402	54	ESL10473	64	ESL10926	214	ESL11493	186
ESL10404	52	ESL10474	64	ESL10983	141	ESL11493	188
ESL10405	52	ESL10475	64	ESL10983	104	ESL11494	186
ESL10408	56	ESL10476	64	ESL11156	62	ESL11494	188
ESL10409	56	ESL10477	64	ESL11156	74	ESL11494	75
ESL10410	56	ESL10478	62	ESL11169	216	ESL11498	186
ESL10411	56	ESL10480	62	ESL11175	216	ESL11499	186
ESL10412	56	ESL10492	2	ESL11176	216	ESL11499	188
ESL10413	56	ESL10492	75	ESL11177	216	ESL11500	186
ESL10414	56	ESL10493	75	ESL11184	216	ESL11500	188
ESL10415	56	ESL10494	75	ESL11189	2	ESL11502	186
ESL10416	56	ESL10495	75	ESL11238	141	ESL11502	188
ESL10417	56	ESL10495	92	ESL11238	165	ESL11504	186
ESL10418	56	ESL10496	75	ESL11255	165	ESL11504	188
ESL10426	58	ESL10497	75	ESL11255	88	ESL11505	186
ESL10427	58	ESL10498	75	ESL11255	92	ESL11505	188
ESL10428	58	ESL10500	75	ESL11257	145	ESL11519	186
ESL10429	58	ESL10503	75	ESL11257	163	ESL11519	188
ESL10430	58	ESL10510	76	ESL11257	165	ESL11521	190
ESL10431	58	ESL10511	76	ESL11257	94	ESL11521	192
ESL10432	58	ESL10512	76	ESL11258	165	ESL11522	194
ESL10433	58	ESL10514	76	ESL11263	165	ESL11523	196
ESL10434	58	ESL10516	76	ESL11270	165	ESL11524	190
ESL10435	58	ESL10518	76	ESL11276	165	ESL11525	190
ESL10436	58	ESL10520	76	ESL11332	173	ESL11526	190
ESL10437	58	ESL10521	82	ESL11342	177	ESL11528	190
ESL10438	58	ESL10522	82	ESL11350	177	ESL11529	190



**70/80 FARMTRAC PART NUMBERS W/CORRESPONDING PAGE NUMBER**

<b>PART #</b>	<b>PAGE #</b>	<b>PART #</b>	<b>PAGE #</b>	<b>PART #</b>	<b>PAGE#</b>	<b>PART #</b>	<b>PAGE #</b>
ESL11532	190	ESL11738	2	ESL11860	82	ESL12046	192
ESL11534	190	ESL11739	8	ESL11887	179	ESL12068	44
ESL11534	192	ESL11740	12	ESL11887	198	ESL12068	66
ESL11555	202	ESL11741	14	ESL11889	181	ESL12071	38
ESL11584	204	ESL11742	46	ESL11890	181	ESL12073	155
ESL11610	207	ESL11743	44	ESL11890	66	ESL12073	173
ESL11611	207	ESL11744	44	ESL11891	194	ESL12074	179
ESL11613	207	ESL11744	66	ESL11891	196	ESL12074	204
ESL11614	207	ESL11745	50	ESL11896	190	ESL12083	38
ESL11617	209	ESL11747	82	ESL11896	192	ESL12085	82
ESL11618	209	ESL11751	88	ESL11902	216	ESL12100	157
ESL11621	209	ESL11773	177	ESL11927	165	ESL12129	6
ESL11622	209	ESL11775	184	ESL11933	192	ESL12130	8
ESL11623	209	ESL11778	44	ESL11937	186	ESL12136	8
ESL11628	209	ESL11778	60	ESL11937	188	ESL12137	8
ESL11637	209	ESL11779	14	ESL11937	86	ESL12138	8
ESL11640	209	ESL11782	44	ESL11955	173	ESL12139	8
ESL11642	86	ESL11787	52	ESL11956	112	ESL12149	6
ESL11644	8	ESL11788	52	ESL11956	173	ESL12150	6
ESL11644	10	ESL11791	184	ESL11956	38	ESL12151	6
ESL11645	14	ESL11791	62	ESL11956	38	ESL12152	6
ESL11646	14	ESL11791	74	ESL11956	66	ESL12167	40
ESL11648	46	ESL11793	82	ESL11957	74	ESL12168	40
ESL11649	46	ESL11796	88	ESL11960	173	ESL12205	50
ESL11650	44	ESL11796	92	ESL11975	202	ESL12235	86
ESL11650	56	ESL11797	86	ESL11975	44	ESL12236	86
ESL11650	66	ESL11819	179	ESL11975	75	ESL12285	177
ESL11652	44	ESL11820	179	ESL11975	76	ESL12412	82
ESL11652	56	ESL11821	179	ESL11975	76	ESL12422	88
ESL11653	48	ESL11823	181	ESL12001	173	ESL12422	92
ESL11669	56	ESL11824	194	ESL12014	177	ESL12448	165
ESL11670	56	ESL11824	196	ESL12014	200	ESL12454	179
ESL11671	60	ESL11827	190	ESL12014	202	ESL12501	88
ESL11672	60	ESL11827	192	ESL12014	62	ESL12501	92
ESL11673	60	ESL11828	190	ESL12014	74	ESL12502	137
ESL11674	62	ESL11828	192	ESL12015	74	ESL12503	137
ESL11676	62	ESL11828	194	ESL12017	179	ESL12507	88
ESL11697	214	ESL11836	38	ESL12017	90	ESL12507	92
ESL11700	141	ESL11837	38	ESL12018	200	ESL12513	38
ESL11700	102	ESL11842	50	ESL12018	44	ESL12514	38
ESL11700	102	ESL11844	52	ESL12018	88	ESL12524	90
ESL11700	104	ESL11846	52	ESL12018	92	ESL12537	173
ESL11712	216	ESL11847	52	ESL12021	214	ESL12539	173
ESL11719	173	ESL11852	54	ESL12021	4	ESL12545	177
ESL11720	173	ESL11853	54	ESL12029	40	ESL12546	177
ESL11723	179	ESL11855	60	ESL12030	8	ESL12547	177
ESL11724	198	ESL11856	60	ESL12032	2	ESL12548	177
ESL11729	190	ESL11857	60	ESL12040	173	ESL12552	198
ESL11729	192	ESL11858	62	ESL12042	173	ESL12559	181
ESL11737	2	ESL11859	75	ESL12046	173	ESL12564	183

**70/80 FARMTRAC PART NUMBERS W/CORRESPONDING PAGE NUMBER**

<b>PART #</b>	<b>PAGE #</b>	<b>PART #</b>	<b>PAGE #</b>	<b>PART #</b>	<b>PAGE#</b>	<b>PART #</b>	<b>PAGE #</b>
ESL12565	183	ESL12653	88	ESL12689	74	ESL12748	94
ESL12567	183	ESL12653	92	ESL12690	62	ESL12749	165
ESL12568	183	ESL12653	102	ESL12691	62	ESL12749	88
ESL12569	183	ESL12653	104	ESL12691	74	ESL12749	92
ESL12571	184	ESL12654	42	ESL12692	62	ESL12750	92
ESL12572	184	ESL12655	42	ESL12692	74	ESL12751	92
ESL12573	179	ESL12656	44	ESL12693	62	ESL12752	92
ESL12582	194	ESL12657	66	ESL12693	74	ESL12753	92
ESL12585	216	ESL12658	44	ESL12694	75	ESL12754	92
ESL12587	169	ESL12659	44	ESL12695	75	ESL12755	92
ESL12589	216	ESL12660	44	ESL12696	75	ESL12756	163
ESL12590	198	ESL12661	44	ESL12697	75	ESL12756	94
ESL12590	216	ESL12662	44	ESL12702	86	ESL12757	163
ESL12604	163	ESL12663	44	ESL12711	86	ESL12757	94
ESL12605	163	ESL12663	56	ESL12712	86	ESL12758	94
ESL12609	186	ESL12664	66	ESL12713	86	ESL12759	92
ESL12609	188	ESL12665	66	ESL12714	86	ESL12760	94
ESL12610	186	ESL12666	66	ESL12719	216	ESL12761	94
ESL12610	188	ESL12667	66	ESL12722	88	ESL12762	94
ESL12615	216	ESL12668	202	ESL12723	88	ESL12763	92
ESL12620	4	ESL12668	66	ESL12724	143	ESL12764	92
ESL12621	4	ESL12670	66	ESL12724	88	ESL12765	94
ESL12622	6	ESL12671	66	ESL12724	92	ESL12766	94
ESL12626	8	ESL12672	109	ESL12724	104	ESL12767	92
ESL12627	12	ESL12672	132	ESL12725	88	ESL12768	94
ESL12631	38	ESL12672	155	ESL12725	92	ESL12769	92
ESL12632	38	ESL12672	66	ESL12726	88	ESL12770	96
ESL12633	38	ESL12672	74	ESL12727	88	ESL12771	96
ESL12634	38	ESL12674	66	ESL12728	88	ESL12772	96
ESL12636	62	ESL12675	48	ESL12728	92	ESL12772	98
ESL12636	74	ESL12676	48	ESL12729	88	ESL12773	96
ESL12637	74	ESL12677	48	ESL12732	90	ESL12773	98
ESL12638	74	ESL12678	62	ESL12732	92	ESL12774	96
ESL12639	74	ESL12679	190	ESL12735	94	ESL12774	98
ESL12640	74	ESL12679	192	ESL12736	90	ESL12774	100
ESL12641	74	ESL12679	64	ESL12737	90	ESL12775	96
ESL12642	74	ESL12680	64	ESL12737	94	ESL12775	98
ESL12643	74	ESL12681	64	ESL12738	88	ESL12776	100
ESL12644	74	ESL12682	64	ESL12739	88	ESL12777	100
ESL12645	74	ESL12683	64	ESL12740	88	ESL12778	126
ESL12646	74	ESL12684	64	ESL12741	88	ESL12778	161
ESL12647	74	ESL12685	64	ESL12741	92	ESL12778	100
ESL12648	74	ESL12686	64	ESL12744	88	ESL12779	100
ESL12649	74	ESL12687	163	ESL12744	92	ESL12780	100
ESL12651	74	ESL12687	62	ESL12745	88	ESL12781	100
ESL12652	133	ESL12687	74	ESL12745	92	ESL12782	100
ESL12652	74	ESL12688	62	ESL12746	88	ESL12783	100
ESL12653	133	ESL12688	74	ESL12747	145	ESL12784	100
ESL12653	200	ESL12688	74	ESL12747	163	ESL12785	100
ESL12653	74	ESL12689	62	ESL12747	94	ESL12786	100

**70/80 FARMTRAC PART NUMBERS W/CORRESPONDING PAGE NUMBER**

<b>PART #</b>	<b>PAGE #</b>	<b>PART #</b>	<b>PAGE #</b>	<b>PART #</b>	<b>PAGE#</b>	<b>PART #</b>	<b>PAGE #</b>
ESL12787	100	ESL12824	105	ESL12863	110	ESL12903	116
ESL12788	100	ESL12825	105	ESL12864	109	ESL12904	112
ESL12788	102	ESL12826	105	ESL12865	109	ESL12905	113
ESL12789	100	ESL12827	105	ESL12865	149	ESL12905	114
ESL12790	100	ESL12828	105	ESL12866	109	ESL12905	116
ESL12790	102	ESL12829	145	ESL12867	109	ESL12906	113
ESL12791	100	ESL12829	188	ESL12868	109	ESL12906	114
ESL12791	102	ESL12829	198	ESL12869	109	ESL12906	116
ESL12792	100	ESL12829	105	ESL12869	110	ESL12907	113
ESL12793	100	ESL12830	106	ESL12870	109	ESL12908	113
ESL12794	100	ESL12831	106	ESL12871	109	ESL12908	114
ESL12795	100	ESL12832	106	ESL12872	110	ESL12909	113
ESL12795	106	ESL12833	106	ESL12873	110	ESL12910	113
ESL12798	141	ESL12834	108	ESL12874	110	ESL12910	114
ESL12798	102	ESL12835	108	ESL12874	149	ESL12911	113
ESL12799	102	ESL12835	113	ESL12874	153	ESL12911	114
ESL12800	102	ESL12835	114	ESL12875	110	ESL12912	113
ESL12801	102	ESL12835	116	ESL12876	110	ESL12913	113
ESL12802	102	ESL12835	126	ESL12877	110	ESL12913	114
ESL12803	102	ESL12836	108	ESL12878	110	ESL12914	113
ESL12804	102	ESL12837	108	ESL12879	110	ESL12915	113
ESL12805	141	ESL12838	108	ESL12880	110	ESL12915	114
ESL12805	102	ESL12838	108	ESL12880	155	ESL12915	116
ESL12806	116	ESL12839	108	ESL12881	110	ESL12916	113
ESL12806	102	ESL12840	108	ESL12882	110	ESL12916	114
ESL12807	126	ESL12841	108	ESL12882	112	ESL12916	116
ESL12807	127	ESL12841	127	ESL12883	110	ESL12917	113
ESL12807	102	ESL12841	204	ESL12883	112	ESL12917	114
ESL12807	104	ESL12842	108	ESL12884	110	ESL12917	116
ESL12808	126	ESL12843	108	ESL12885	110	ESL12918	113
ESL12808	127	ESL12844	108	ESL12886	112	ESL12918	114
ESL12808	149	ESL12845	108	ESL12887	112	ESL12918	116
ESL12808	102	ESL12846	108	ESL12888	112	ESL12919	114
ESL12808	104	ESL12847	108	ESL12889	112	ESL12920	114
ESL12809	102	ESL12849	108	ESL12890	112	ESL12921	114
ESL12810	102	ESL12850	108	ESL12891	112	ESL12922	114
ESL12811	102	ESL12851	108	ESL12892	112	ESL12923	116
ESL12812	104	ESL12852	108	ESL12893	112	ESL12924	116
ESL12813	104	ESL12853	108	ESL12894	112	ESL12925	116
ESL12814	104	ESL12854	121	ESL12895	112	ESL12926	116
ESL12815	104	ESL12855	121	ESL12896	112	ESL12927	116
ESL12816	104	ESL12856	121	ESL12897	112	ESL12928	116
ESL12818	104	ESL12857	121	ESL12897	163	ESL12929	116
ESL12819	126	ESL12858	121	ESL12897	42	ESL12929	139
ESL12819	127	ESL12859	121	ESL12898	112	ESL12930	116
ESL12819	104	ESL12860	121	ESL12899	112	ESL12931	116
ESL12820	104	ESL12861	109	ESL12900	112	ESL12932	116
ESL12821	105	ESL12862	109	ESL12901	112	ESL12934	118
ESL12822	105	ESL12862	110	ESL12902	112	ESL12935	118
ESL12823	105	ESL12863	109	ESL12903	112	ESL12936	118

**70/80****70/80 FARMTRAC PART NUMBERS W/CORRESPONDING PAGE NUMBER**

<b>PART #</b>	<b>PAGE #</b>	<b>PART #</b>	<b>PAGE #</b>	<b>PART #</b>	<b>PAGE#</b>	<b>PART #</b>	<b>PAGE #</b>
ESL12937	118	ESL12981	123	ESL13029	127	ESL13080	135
ESL12938	118	ESL12982	123	ESL13030	127	ESL13081	135
ESL12938	129	ESL12983	123	ESL13031	129	ESL13082	135
ESL12938	132	ESL12984	123	ESL13031	131	ESL13083	135
ESL12939	118	ESL12985	123	ESL13032	129	ESL13084	135
ESL12940	118	ESL12986	136	ESL13033	129	ESL13085	135
ESL12941	118	ESL12987	136	ESL13034	129	ESL13086	135
ESL12941	120	ESL12988	136	ESL13035	129	ESL13087	135
ESL12942	118	ESL12989	136	ESL13036	129	ESL13088	135
ESL12942	118	ESL12990	136	ESL13036	131	ESL13089	135
ESL12943	118	ESL12991	136	ESL13037	129	ESL13090	135
ESL12944	118	ESL12992	136	ESL13038	129	ESL13091	135
ESL12945	118	ESL12993	135	ESL13039	129	ESL13092	135
ESL12946	118	ESL12993	136	ESL13040	129	ESL13092	137
ESL12947	118	ESL12994	136	ESL13042	129	ESL13093	135
ESL12948	120	ESL12996	125	ESL13043	129	ESL13094	135
ESL12949	120	ESL12997	125	ESL13044	129	ESL13095	2
ESL12950	120	ESL12998	125	ESL13045	129	ESL13096	2
ESL12951	120	ESL12999	125	ESL13046	129	ESL13097	138
ESL12952	120	ESL13000	125	ESL13047	129	ESL13098	138
ESL12953	120	ESL13001	125	ESL13048	129	ESL13098	139
ESL12954	120	ESL13002	125	ESL13049	129	ESL13099	138
ESL12955	120	ESL13003	125	ESL13050	129	ESL13100	138
ESL12956	120	ESL13004	125	ESL13051	131	ESL13101	138
ESL12957	120	ESL13005	125	ESL13052	131	ESL13102	138
ESL12958	120	ESL13006	125	ESL13053	131	ESL13103	138
ESL12959	120	ESL13007	125	ESL13054	131	ESL13104	138
ESL12960	120	ESL13008	125	ESL13056	131	ESL13105	138
ESL12961	120	ESL13009	125	ESL13057	131	ESL13106	138
ESL12962	120	ESL13010	125	ESL13058	131	ESL13107	141
ESL12963	120	ESL13011	125	ESL13059	131	ESL13108	141
ESL12964	120	ESL13012	125	ESL13059	151	ESL13109	141
ESL12965	120	ESL13013	125	ESL13060	132	ESL13110	141
ESL12966	120	ESL13014	125	ESL13061	132	ESL13111	141
ESL12967	120	ESL13015	125	ESL13062	132	ESL13112	141
ESL12968	120	ESL13016	125	ESL13063	132	ESL13113	141
ESL12969	123	ESL13017	125	ESL13064	132	ESL13114	141
ESL12970	123	ESL13018	126	ESL13065	123	ESL13115	141
ESL12971	123	ESL13019	126	ESL13065	132	ESL13116	141
ESL12972	123	ESL13019	131	ESL13066	132	ESL13117	141
ESL12973	123	ESL13020	126	ESL13067	132	ESL13118	141
ESL12975	123	ESL13021	126	ESL13068	132	ESL13119	141
ESL12975	129	ESL13022	126	ESL13069	132	ESL13120	141
ESL12976	123	ESL13023	126	ESL13073	135	ESL13121	141
ESL12976	129	ESL13024	126	ESL13074	135	ESL13122	141
ESL12977	123	ESL13025	127	ESL13075	135	ESL13123	141
ESL12977	129	ESL13025	74	ESL13076	135	ESL13123	143
ESL12978	123	ESL13026	127	ESL13077	135	ESL13124	139
ESL12979	123	ESL13027	127	ESL13078	135	ESL13125	139
ESL12980	123	ESL13028	127	ESL13079	135	ESL13126	139

**70/80 FARMTRAC PART NUMBERS W/CORRESPONDING PAGE NUMBER**

<b>PART #</b>	<b>PAGE #</b>	<b>PART #</b>	<b>PAGE #</b>	<b>PART #</b>	<b>PAGE#</b>	<b>PART #</b>	<b>PAGE #</b>
ESL13127	139	ESL13176	147	ESL13221	151	ESL13273	44
ESL13128	139	ESL13177	147	ESL13222	151	ESL13274	22
ESL13129	139	ESL13177	151	ESL13223	151	ESL13275	66
ESL13130	139	ESL13178	147	ESL13224	153	ESL13277	56
ESL13131	139	ESL13178	153	ESL13225	153	ESL13278	62
ESL13132	139	ESL13179	147	ESL13226	153	ESL13279	94
ESL13133	139	ESL13180	147	ESL13228	153	ESL13280	92
ESL13134	139	ESL13181	147	ESL13229	153	ESL13281	88
ESL13135	139	ESL13182	147	ESL13230	153	ESL13282	90
ESL13136	139	ESL13183	149	ESL13231	153	ESL13284	165
ESL13137	139	ESL13184	149	ESL13231	155	ESL13284	88
ESL13138	143	ESL13185	149	ESL13232	153	ESL13284	92
ESL13140	143	ESL13186	149	ESL13233	153	ESL13285	102
ESL13141	143	ESL13187	149	ESL13235	153	ESL13286	102
ESL13142	143	ESL13188	149	ESL13235	155	ESL13287	98
ESL13143	143	ESL13189	149	ESL13236	153	ESL13288	104
ESL13144	145	ESL13190	149	ESL13236	155	ESL13289	88
ESL13145	145	ESL13191	149	ESL13237	155	ESL13289	92
ESL13146	145	ESL13192	121	ESL13238	155	ESL13300	62
ESL13147	145	ESL13192	149	ESL13239	155	ESL13301	88
ESL13148	145	ESL13192	151	ESL13240	155	ESL13301	92
ESL13149	145	ESL13193	149	ESL13241	155	ESL13302	90
ESL13150	145	ESL13194	149	ESL13242	155	ESL13302	94
ESL13151	145	ESL13195	149	ESL13243	155	ESL13304	141
ESL13153	145	ESL13196	149	ESL13244	155	ESL13305	82
ESL13153	149	ESL13197	149	ESL13245	155	ESL13305	96
ESL13154	145	ESL13198	149	ESL13246	155	ESL13307	76
ESL13154	151	ESL13199	149	ESL13247	155	ESL13308	75
ESL13155	145	ESL13200	149	ESL13248	157	ESL13310	75
ESL13155	147	ESL13201	149	ESL13249	157	ESL13312	96
ESL13156	145	ESL13202	149	ESL13250	157	ESL13313	60
ESL13157	145	ESL13203	149	ESL13251	159	ESL13318	102
ESL13157	149	ESL13204	149	ESL13252	159	ESL13321	4
ESL13158	145	ESL13205	151	ESL13254	161	ESL13322	4
ESL13159	145	ESL13206	151	ESL13255	161	ESL13323	4
ESL13160	145	ESL13207	151	ESL13256	161	ESL13324	4
ESL13161	145	ESL13207	151	ESL13257	161	ESL13325	6
ESL13163	145	ESL13208	151	ESL13258	161	ESL13325	22
ESL13164	145	ESL13209	151	ESL13259	161	ESL13326	6
ESL13164	163	ESL13210	151	ESL13260	161	ESL13327	38
ESL13166	147	ESL13211	151	ESL13262	161	ESL13328	38
ESL13167	147	ESL13212	151	ESL13263	161	ESL13329	42
ESL13168	147	ESL13213	151	ESL13264	161	ESL13330	56
ESL13169	147	ESL13214	151	ESL13265	161	ESL13331	64
ESL13170	147	ESL13215	151	ESL13266	161	ESL13333	105
ESL13171	147	ESL13216	151	ESL13267	161	ESL13334	105
ESL13172	147	ESL13217	151	ESL13268	163	ESL13335	131
ESL13173	147	ESL13218	151	ESL13269	161	ESL13336	133
ESL13174	147	ESL13219	151	ESL13270	202	ESL13337	133
ESL13175	147	ESL13220	151	ESL13271	6	ESL13338	133

**70/80 FARMTRAC PART NUMBERS W/CORRESPONDING PAGE NUMBER**

<b>PART #</b>	<b>PAGE #</b>	<b>PART #</b>	<b>PAGE #</b>	<b>PART #</b>	<b>PAGE#</b>	<b>PART #</b>	<b>PAGE #</b>
ESL13339	138	ESL13465	167	ESL13536	188	ESL13589	200
ESL13340	138	ESL13466	167	ESL13536	196	ESL13590	200
ESL13341	138	ESL13468	167	ESL13537	186	ESL13591	200
ESL13342	141	ESL13470	167	ESL13537	188	ESL13592	200
ESL13352	149	ESL13473	167	ESL13538	186	ESL13593	200
ESL13363	157	ESL13474	167	ESL13538	188	ESL13596	202
ESL13364	157	ESL13475	167	ESL13540	196	ESL13597	202
ESL13365	157	ESL13477	167	ESL13541	194	ESL13598	202
ESL13366	157	ESL13478	167	ESL13542	194	ESL13599	202
ESL13374	157	ESL13479	167	ESL13543	196	ESL13600	202
ESL13375	157	ESL13481	169	ESL13545	196	ESL13602	202
ESL13380	157	ESL13482	169	ESL13546	194	ESL13603	204
ESL13391	157	ESL13487	169	ESL13547	192	ESL13604	204
ESL13394	157	ESL13491	173	ESL13548	192	ESL13605	207
ESL13395	157	ESL13492	173	ESL13549	192	ESL13606	207
ESL13401	159	ESL13495	177	ESL13550	198	ESL13608	207
ESL13402	159	ESL13496	177	ESL13551	198	ESL13608	207
ESL13403	66	ESL13497	177	ESL13552	198	ESL13609	207
ESL13405	50	ESL13498	179	ESL13553	198	ESL13610	207
ESL13406	58	ESL13499	179	ESL13554	198	ESL13611	207
ESL13408	98	ESL13500	179	ESL13555	198	ESL13612	207
ESL13409	102	ESL13501	179	ESL13556	198	ESL13613	207
ESL13409	102	ESL13502	196	ESL13557	198	ESL13614	209
ESL13410	102	ESL13503	179	ESL13559	198	ESL13615	207
ESL13413	104	ESL13504	179	ESL13560	198	ESL13616	207
ESL13414	104	ESL13505	181	ESL13561	198	ESL13617	209
ESL13416	106	ESL13506	181	ESL13562	198	ESL13618	209
ESL13417	106	ESL13507	181	ESL13563	198	ESL13619	209
ESL13418	110	ESL13509	181	ESL13564	198	ESL13621	216
ESL13419	112	ESL13510	181	ESL13565	198	ESL13626	212
ESL13420	112	ESL13511	181	ESL13566	198	ESL13627	212
ESL13421	112	ESL13511	66	ESL13567	198	ESL13628	212
ESL13422	112	ESL13512	181	ESL13568	198	ESL13629	212
ESL13423	112	ESL13514	181	ESL13568	198	ESL13630	212
ESL13424	112	ESL13515	181	ESL13569	198	ESL13631	212
ESL13425	112	ESL13518	181	ESL13570	198	ESL13632	212
ESL13433	137	ESL13519	183	ESL13571	198	ESL13633	212
ESL13434	137	ESL13520	183	ESL13572	198	ESL13634	212
ESL13435	137	ESL13521	183	ESL13573	198	ESL13635	212
ESL13436	138	ESL13523	184	ESL13574	198	ESL13636	214
ESL13437	112	ESL13524	184	ESL13575	200	ESL13637	216
ESL13437	143	ESL13525	184	ESL13576	200	ESL13638	216
ESL13444	167	ESL13526	188	ESL13577	200	ESL13642	112
ESL13445	167	ESL13527	188	ESL13579	200	ESL13643	145
ESL13449	167	ESL13528	188	ESL13580	200	ESL13643	163
ESL13451	167	ESL13531	192	ESL13581	192	ESL13644	163
ESL13453	167	ESL13532	192	ESL13582	192	ESL13645	163
ESL13461	167	ESL13533	192	ESL13584	188	ESL13646	163
ESL13462	167	ESL13534	192	ESL13587	192	ESL13648	163
ESL13464	167	ESL13535	192	ESL13588	200	ESL13649	163

**70/80 FARMTRAC PART NUMBERS W/CORRESPONDING PAGE NUMBER**

<b>PART #</b>	<b>PAGE #</b>	<b>PART #</b>	<b>PAGE #</b>	<b>PART #</b>	<b>PAGE#</b>	<b>PART #</b>	<b>PAGE #</b>
ESL13650	163	ESL13711	183	ESL13756	16	ESL13805	20
ESL13651	163	ESL13712	183	ESL13757	16	ESL13806	18
ESL13652	163	ESL13713	216	ESL13758	16	ESL13807	18
ESL13654	163	ESL13714	216	ESL13760	16	ESL13808	18
ESL13655	163	ESL13715	181	ESL13761	16	ESL13809	18
ESL13656	163	ESL13716	181	ESL13762	16	ESL13810	18
ESL13657	163	ESL13717	216	ESL13763	16	ESL13811	18
ESL13658	163	ESL13718	186	ESL13764	16	ESL13812	18
ESL13659	163	ESL13718	188	ESL13764	70	ESL13813	18
ESL13660	163	ESL13719	186	ESL13765	16	ESL13814	18
ESL13661	163	ESL13719	188	ESL13766	16	ESL13815	18
ESL13662	163	ESL13720	188	ESL13767	16	ESL13816	18
ESL13665	163	ESL13723	192	ESL13768	16	ESL13817	18
ESL13666	163	ESL13724	190	ESL13769	16	ESL13818	18
ESL13667	163	ESL13724	192	ESL13770	16	ESL13823	18
ESL13668	163	ESL13724	194	ESL13772	16	ESL13824	18
ESL13668	165	ESL13725	192	ESL13773	16	ESL13825	18
ESL13671	165	ESL13725	196	ESL13773	32	ESL13826	18
ESL13674	177	ESL13726	192	ESL13774	16	ESL13827	18
ESL13675	179	ESL13727	194	ESL13774	32	ESL13828	18
ESL13676	179	ESL13728	88	ESL13775	16	ESL13829	26
ESL13677	181	ESL13729	88	ESL13776	16	ESL13830	26
ESL13678	86	ESL13730	88	ESL13777	16	ESL13831	26
ESL13681	44	ESL13731	161	ESL13778	20	ESL13832	26
ESL13682	46	ESL13734	179	ESL13779	20	ESL13833	26
ESL13683	56	ESL13735	179	ESL13780	20	ESL13834	26
ESL13684	64	ESL13736	179	ESL13781	20	ESL13835	26
ESL13685	88	ESL13737	184	ESL13782	20	ESL13837	26
ESL13685	92	ESL13738	184	ESL13783	20	ESL13838	26
ESL13686	138	ESL13740	16	ESL13784	20	ESL13839	26
ESL13687	149	ESL13741	16	ESL13785	20	ESL13840	26
ESL13688	149	ESL13741	18	ESL13786	20	ESL13841	26
ESL13689	192	ESL13742	16	ESL13787	20	ESL13842	26
ESL13692	216	ESL13743	16	ESL13788	20	ESL13843	26
ESL13692	98	ESL13743	16	ESL13789	20	ESL13844	26
ESL13693	209	ESL13743	32	ESL13790	20	ESL13845	26
ESL13694	209	ESL13744	16	ESL13791	20	ESL13846	26
ESL13695	209	ESL13745	16	ESL13792	20	ESL13847	26
ESL13696	209	ESL13746	16	ESL13793	20	ESL13848	26
ESL13697	209	ESL13747	16	ESL13794	20	ESL13849	26
ESL13698	209	ESL13747	18	ESL13795	20	ESL13850	26
ESL13699	209	ESL13748	16	ESL13796	20	ESL13851	26
ESL13703	165	ESL13748	34	ESL13797	20	ESL13852	24
ESL13704	183	ESL13749	16	ESL13799	20	ESL13853	24
ESL13705	183	ESL13750	16	ESL13800	20	ESL13854	24
ESL13706	183	ESL13751	16	ESL13801	20	ESL13855	24
ESL13707	183	ESL13752	16	ESL13802	20	ESL13857	24
ESL13708	183	ESL13753	16	ESL13803	20	ESL13860	24
ESL13709	183	ESL13754	16	ESL13803	24	ESL13861	24
ESL13710	183	ESL13755	16	ESL13804	20	ESL13862	24

**70/80 FARMTRAC PART NUMBERS W/CORRESPONDING PAGE NUMBER**

<b>PART #</b>	<b>PAGE #</b>	<b>PART #</b>	<b>PAGE #</b>	<b>PART #</b>	<b>PAGE#</b>	<b>PART #</b>	<b>PAGE #</b>
ESL13864	24	ESL13915	68	ESL13973	68	ESL14021	78
ESL13865	24	ESL13917	68	ESL13974	28	ESL14022	32
ESL13866	24	ESL13918	68	ESL13974	30	ESL14023	32
ESL13867	24	ESL13920	30	ESL13974	78	ESL14028	78
ESL13868	24	ESL13920	36	ESL13975	174	ESL14029	78
ESL13869	24	ESL13920	68	ESL13975	30	ESL14033	78
ESL13871	174	ESL13921	68	ESL13976	34	ESL14034	78
ESL13871	24	ESL13921	72	ESL13977	34	ESL14035	18
ESL13872	174	ESL13922	68	ESL13979	34	ESL14035	78
ESL13872	174	ESL13923	68	ESL13980	34	ESL14036	18
ESL13872	24	ESL13924	68	ESL13981	34	ESL14036	78
ESL13873	24	ESL13925	68	ESL13982	34	ESL14038	78
ESL13874	24	ESL13926	68	ESL13983	34	ESL14039	78
ESL13875	24	ESL13927	68	ESL13984	32	ESL14040	78
ESL13876	24	ESL13928	68	ESL13984	32	ESL14043	78
ESL13876	78	ESL13929	68	ESL13984	34	ESL14044	78
ESL13877	28	ESL13930	68	ESL13985	34	ESL14045	78
ESL13878	24	ESL13931	68	ESL13986	34	ESL14046	78
ESL13879	28	ESL13932	68	ESL13987	34	ESL14047	78
ESL13880	28	ESL13934	68	ESL13988	174	ESL14048	78
ESL13883	28	ESL13939	68	ESL13988	18	ESL14049	80
ESL13884	28	ESL13940	68	ESL13988	34	ESL14050	80
ESL13885	28	ESL13941	22	ESL13988	78	ESL14051	174
ESL13886	28	ESL13942	22	ESL13989	34	ESL14051	80
ESL13887	28	ESL13943	22	ESL13990	34	ESL14052	80
ESL13888	28	ESL13944	171	ESL13993	32	ESL14053	174
ESL13891	28	ESL13945	171	ESL13994	32	ESL14054	174
ESL13892	28	ESL13946	171	ESL13995	32	ESL14054	18
ESL13893	28	ESL13946	72	ESL13996	32	ESL14055	174
ESL13894	28	ESL13947	171	ESL13997	32	ESL14062	174
ESL13895	28	ESL13948	80	ESL13998	32	ESL14064	174
ESL13896	28	ESL13949	80	ESL14000	32	ESL14065	174
ESL13897	28	ESL13950	80	ESL14001	32	ESL14068	174
ESL13898	28	ESL13952	30	ESL14002	32	ESL14069	174
ESL13899	68	ESL13953	30	ESL14003	32	ESL14069	175
ESL13900	28	ESL13954	30	ESL14004	32	ESL14070	175
ESL13901	28	ESL13955	30	ESL14005	32	ESL14071	175
ESL13902	28	ESL13956	30	ESL14006	32	ESL14072	175
ESL13903	28	ESL13957	30	ESL14008	32	ESL14073	175
ESL13904	28	ESL13958	30	ESL14009	32	ESL14074	175
ESL13905	28	ESL13959	30	ESL14010	32	ESL14075	175
ESL13906	28	ESL13961	30	ESL14011	32	ESL14076	175
ESL13907	28	ESL13962	30	ESL14012	32	ESL14077	175
ESL13908	28	ESL13963	30	ESL14013	32	ESL14078	175
ESL13909	28	ESL13964	30	ESL14016	32	ESL14079	175
ESL13910	28	ESL13965	30	ESL14018	32	ESL14079	311
ESL13911	28	ESL13969	30	ESL14019	32	ESL14081	36
ESL13912	28	ESL13970	30	ESL14020	32	ESL14082	36
ESL13913	68	ESL13972	30	ESL14021	174	ESL14083	36
ESL13914	68	ESL13973	30	ESL14021	32	ESL14084	36



**70/80 FARMTRAC PART NUMBERS W/CORRESPONDING PAGE NUMBER**

<b>PART #</b>	<b>PAGE #</b>	<b>PART #</b>	<b>PAGE #</b>	<b>PART #</b>	<b>PAGE#</b>	<b>PART #</b>	<b>PAGE #</b>
ESL14085	36	ESL14146	42	ESL14500	72	N-620013-S8	188
ESL14086	36	ESL14146	68	ESL14501	72	N-620013-S8	202
ESL14088	36	ESL14146	70	ESL14502	72	N-620013-S8	204
ESL14089	36	ESL14147	70	ESL14503	72	N-620013-S8	64
ESL14090	36	ESL14148	70	ESL14504	72	N-620013-S8	64
ESL14092	36	ESL14149	70	ESL14910	86	N-620013-S8	66
ESL14093	36	ESL14151	18	ESL14911	86	N-620013-S8	74
ESL14094	36	ESL14153	18	ESL14912	86	N-620014-S8	173
ESL14095	36	ESL14155	18	ESL14913	86	N-620016-S8	216
ESL14096	42	ESL14156	20	ESL14914	86	N620042-S8	131
ESL14097	42	ESL14157	20	ESL23974	123	N-620042-S8	198
ESL14098	42	ESL14158	20	N-600212-S8	141	N-620042-S8	38
ESL14099	42	ESL14159	18	N-600212-S8	155	N-620042-S8	66
ESL14103	24	ESL14160	18	N-600212-S8	102	N-620042-S8	102
ESL14103	28	ESL14161	18	N-600213-S8	198	N-62042-S8	127
ESL14103	42	ESL14165	24	N-600218-S8	205	N-620603-S8	204
ESL14103	78	ESL14166	28	N-600313-S8	173	N-630013-S8	198
ESL14106	42	ESL14167	32	N-600415-S8	98	N-630066-S8	66
ESL14108	42	ESL14168	32	N-600417-S8	204	N-630067-S8	143
ESL14109	42	ESL14169	32	N-600417-S8	98	N-630067-S8	173
ESL14110	72	ESL14170	32	N-600420-S8	98	N-630067-S8	186
ESL14111	72	ESL14171	78	N-601805-S8	204	N-630067-S8	188
ESL14112	72	ESL14172	78	N-601805-S8	98	N-630067-S8	200
ESL14113	72	ESL14173	78	N-601807-S8	94	N-630067-S8	64
ESL14114	72	ESL14175	174	N-60550-S8	62	N-630067-S8	74
ESL14115	72	ESL14175	175	N-605531-S8	143	N-630067-S8	86
ESL14117	72	ESL14176	42	N-605531-S8	181	N-630067-S8	104
ESL14119	72	ESL14177	42	N-605531-S8	188	N-630068-S8	163
ESL14120	72	ESL14178	42	N-605531-S8	198	N-630068-S8	198
ESL14121	70	ESL14179	42	N-605531-S8	14	N-630068-S8	204
ESL14122	70	ESL14180	42	N-605542-S8	38	N-630068-S8	66
ESL14123	70	ESL14181	42	N-605548-S8	90	N-630070-S8	141
ESL14124	70	ESL14182	42	N-605548-S8	94	N-630070-S8	143
ESL14125	70	ESL14183	70	N-605559-S8	151	N-630070-S8	88
ESL14126	70	ESL14184	70	N-605559-S8	177	N-630070-S8	92
ESL14127	70	ESL14186	161	N-605559-S8	198	N-630070-S8	102
ESL14128	70	ESL14187	161	N-605561-S8	198	N-630070-S8	104
ESL14129	70	ESL14188	161	N-605574-S	98	N-630173-S8	127
ESL14130	70	ESL14189	171	N-606321-S8	179	N-630173-S8	143
ESL14131	70	ESL14190	171	N-620012-S8	143	N-630173-S8	151
ESL14132	70	ESL14191	171	N-620012-S8	149	N-630173-S8	153
ESL14133	70	ESL14192	171	N-620012-S8	186	N-630173-S8	155
ESL14137	70	ESL14193	171	N-620012-S8	188	N-630173-S8	179
ESL14142	70	ESL14194	171	N-620012-S8	64	N-630173-S8	188
ESL14143	70	ESL14195	194	N-620012-S8	74	N-630173-S8	205
ESL14144	70	ESL14198	66	N-620012-S8	86	N-630173-S8	14
ESL14145	70	ESL14199	66	N-620012-S8	104	N630174-S8	38
ESL14146	174	ESL14200	66	N-620013-S8	149	N-630174-S8	112
ESL14146	16	ESL14201	66	N-620013-S8	163	N-630174-S8	155
ESL14146	24	ESL14500	70	N-620013-S8	179	N-630174-S8	163



**70/80 FARMTRAC PART NUMBERS W/CORRESPONDING PAGE NUMBER**

<b>PART #</b>	<b>PAGE #</b>
N-630174-S8	198
N-630174-S8	38
N-630174-S8	66
N-630174-S8	94
N-630174-S8	105
N-630187-S8	204
N-630187-S8	94
N-630317-S8	186
N-630317-S8	188
N-662423-S8	127
N-662423-S8	102

**70/80 FARMTRAC PART NUMBERS W/CORRESPONDING PAGE NUMBER**

<b>PART #</b>	<b>PAGE #</b>	<b>PART #</b>	<b>PAGE #</b>	<b>PART #</b>	<b>PAGE#</b>	<b>PART #</b>	<b>PAGE #</b>
230298000	205	304724-S36	10	34805-S8	202	44719-S36	194
720880001	205	304739-S36	173	34806-S36	161	44719-S36	196
720880101	205	304743-S36	141	34806-S36	196	44719-S36	200
25-04092-AA	204	304758-S36	44	34806-S36	2	44719-S36	202
25-04526-BA	204	304758-S36	76	34806-S36	8	44719-S36	62
82835166	212	304760-S36	165	34806-S36	8	44719-S36	62
82835179	62	304760-S36	4	34807-S36	198	44719-S36	66
23017-S2	177	304760-S36	40	34807-S36	165	44719-S36	74
23607-S36	75	304807-S36	6	34807-S36	169	44720-S36	161
300866-S36	4	304869-S36	216	34807-S36	179	44722-S36	177
300880-S36	88	304883-S36	96	34807-S36	2	44722-S36	179
292026283	205	304912-S36	96	34792-S36	40	44722-S36	188
292016183	205	202662283	205	34807-S36	40	44722-S36	194
302549-S36	76	304946-S36	212	34807-S36	88	44722-S36	196
304838-S36	216	304955-S36	96	34807-S36	90	44722-S36	204
304632-S36	194	311113-S36	163	34808-S36	177	44722-S36	44
304632-S36	196	337490-S36	92	34808-S36	8	44722-S36	66
304634-S36	8	33796-S36	177	34808-S36	10	44724-S36	177
304634-S36	66	33796-S36	200	34808-S36	76	44726-S36	131
304635-S36	196	33796-S36	202	34809-S8	204	44726-S36	184
304647-S8	202	33796-S8	202	202661783	205	44726-S36	202
304648-S36	161	33796-S36	62	34811-S36	214	44726-S36	14
304648-S36	2	33796-S36	62	34903-S36	179	44726-S36	40
304648-S36	8	33796-S36	74	34941-S36	179	44726-S36	46
304650-S36	186	33797-S2	177	34941-S36	202	44726-S36	62
304650-S36	188	33797-S36	161	34941-S36	44	44726-S36	62
304650-S36	2	33797-S36	173	34941-S36	66	44726-S36	74
304650-S36	38	33797-S36	194	34942-S36	186	44728-S36	112
304650-S36	40	33797-S36	196	34942-S36	188	44728-S36	186
304650-S36	90	33797-S36	66	34978-S36	75	44728-S36	188
304652-S36	177	33798-S36	188	292508383	205	44728-S36	102
304665-S36	188	33798-S36	44	34991-S36	86	44734-S36	202
304665-S36	194	33797-S36	179	370664-S	12	382675-S	6
304666-S36	14	33845-S36	202	378310-S36	14	45189-S8	192
304666-S36	46	33845-S36	92	378881-S	40	45964-S36	4
304682-S36	179	202661883	205	379586-S36	62	46008-S36	40
304682-S36	202	33849-S36	214	379977-S36	216	50528-S36	190
304682-S36	2	33849-S36	86	380304-S36	214	50528-S36	192
304682-S36	44	33849-S36	96	34207-S36	196	54042-S36	62
304683-S36	177	33925-S36	112	38207-S36	66	54049-S36	179
304684-S36	14	33925-S36	141	383705-S36	177	55670-S71	190
304685-S36	76	33925-S36	102	388769-S	177	55722-S7	216
304701-S36	75	34053-S36	151	42974-S36	46	58639-S36	4
304722-S36	169	34053-S36	179	42997-S36	173	58655-S36	141
304722-S36	198	34670-S36	204	43164-S2	6	58676-S36	92
304722-S36	14	34791-S36	173	43191-S2	10	58851-S36	202
304722-S36	40	34792-S36	14	44710-S36	75	58873-S36	214
304722-S36	96	34792-S36	96	44719-S36	177	N-600212-S36	74
304724-S36	204	34803-S36	179	44719-S36	190	620042-S36	42
304724-S36	8	34803-S36	62	44719-S36	192	630174-S36	42

**70/80 FARMTRAC PART NUMBERS W/CORRESPONDING PAGE NUMBER**

<b>PART #</b>	<b>PAGE #</b>	<b>PART #</b>	<b>PAGE #</b>	<b>PART #</b>	<b>PAGE#</b>	<b>PART #</b>	<b>PAGE #</b>
44719-S36	194	630174-S36	90	385456-S	2	C5NE-907-C	8
44719-S36	196	72004-S36	161	74NH-6438-A	2	382015-S	8
44719-S36	200	72016-S8	131	82NH-9G524-AA	2	C5NN-D851-B	10
44719-S36	202	72017-S36	112	C5NE-9F598-A	2	C5NE-6853-A	8
44719-S36	62	72017-S36	127	D0NN-6N012-A	2	81NH-6828-A	8
44719-S36	62	72017-S36	143	D0NN-6N011-A	2	SPF.994.001	2
44719-S36	66	72017-S8	102	D0NN-6890-A	2	SPF.994.001	8
44719-S36	74	72017-S36	104	79NH-6714-AA	2	SPF.290.100	12
44720-S36	161	72035-S8	112	379275-S94	4	92NH-6200-AB	12
44722-S36	177	73919-S36	112	87035-S95	90	SPF.487.000	12
44722-S36	179	73919-S36	127	E5HN-6N305-AA	2	SPF.493.120	6
44722-S36	188	73919-S36	102	93NH-6N306-AA	2	SPF.494.130	6
44722-S36	194	73919-S36	104	87650-S36	2	SPF.495.140	6
44722-S36	196	73919-S36	143	378336-S36	2	SPF.481.100	12
44722-S36	204	74178-S	8	11-60090-AA	2	SPF.483.110	12
44722-S36	44	76023-S36	131	92NH-6010-BA	2	SPF.484.120	12
44722-S36	66	76023-S36	62	SPF.794.000	4	SPF.485.130	12
44724-S36	177	86438-S95	163	SPF.794.001	4	SPF.486.140	12
44726-S36	131	87039-S95	90	25-63312-BA	6	82835193	14
44726-S36	184	97013-S36	112	F0NN-6N300-AA	6	D1NN-6A809-A	14
44726-S36	202	97013-S36	141	11-61306-AA	6	D1NN-6670-A	14
44726-S36	14	97013-S36	143	87133-S96	6	D1NN-6674-A	14
44726-S36	40	97013-S36	104	C5NE-6B309-A	6	C7NN-6623-A	14
44726-S36	46	E-602189-S36	173	87800696	6	11-66628-AA	14
44726-S36	62	E-602189-S36	100	91NH-6306-AA	6	82835075	14
44726-S36	62	E-602230-S36	98	E5NN-6701-AA	6	D3NN-6A820-E	14
44726-S36	74	E630038-S71	212	E2NN-6384-AA	6	C7NN-6659-A	14
44728-S36	112	86483-S95	163	E7NN-6A008-AA	2	C9NN-6675-A	14
44728-S36	186	87034-S95	163	SPF.491.100	6	82835253	14
44728-S36	188	11-65087-AA	2	SPF.492.110	6	C9NN-6734-A	14
44728-S36	102	86483-S95	145	C7NN-6500-B	8	82835192	14
44734-S36	202	86483-S95	163	C5NE-6567-B	8	D5NN-9R618-A	38
382675-S	6	86483-S95	88	89NH-6549-AA	8	D5NN-9R500-A	38
45189-S8	192	86483-S95	92	E7NN-6563-AA	8	81NH-9613-AA	38
45964-S36	4	D2NN-B997-A	163	D5NN-6531-A	8	11-90109-AA	38
46008-S36	40	390629-S36	2	C5NE-6587-A	8	11-90575-AA	38
50528-S36	190	91NH-9M525-AA	46	71NH-6590-A	8	11-11010-AA	40
50528-S36	192	390625-S36	2	C7NN-6513-A	8	73NH-10911-A	40
54042-S36	62	90NH-6051-AA	2	D0NN-6514-A	8	11-12109-AA	40
54049-S36	179	87652-S36	2	83NH-6518-AA	8	D3NN-9430-A	40
55670-S71	190	376099-S	8	91NH-6571-AA	8	E8NN-9448-AA	40
55722-S7	216	390488-S36	2	D7NN-6582-C	8	D6NN-5246-N	40
58639-S36	4	D8NN-6N009-AA	2	C7NN-6584-B	8	D3NN-5C250-BA	40
58655-S36	141	73NH-6784-A	2	82835182	8	82835089	40
58676-S36	92	93NH-6750-AA	2	C9NN-6A253-A	10	D6NN-5252-B	40
58851-S36	202	93NH-6N609-AA	2	C5NE-6A254-A	10	C5NN-9N071-A	44
58873-S36	214	82835331	4	93NH-6A255-AA	10	E2NN-9N024-AA	44
N-600212-S36	74	E6NN-6C045-BA	4	C9NN-6N251-A	8	E2NN-9N024-AA	66
620042-S36	42	73NH-6A373-A	2	C5NE-6265-A	8	D9NN-9N187-AA	44
630174-S36	42	C7NN-6N008-A	2	D8NN-6269-AA	8	D8NN-9N187-AA	66

**70/80 FARMTRAC PART NUMBERS W/CORRESPONDING PAGE NUMBER**

<b>PART #</b>	<b>PAGE #</b>	<b>PART #</b>	<b>PAGE #</b>	<b>PART #</b>	<b>PAGE#</b>	<b>PART #</b>	<b>PAGE #</b>
12-89280-AA	44	EXP-13462-AA	48	82835068	64	C7NN-7N598-A	102
92NH-9B273-AA	44	EXP-13478-AA	52	84NH-9C331-AA	62	SPF.987.000	96
92NH-9N575-AA	46	EXP-14107-AA	52	85NH-9N657-AA	62	87907-S36	141
C5NE-9F586-A	46	EXP-13507-AA	52	85NH-9N656-BA	64	87035-S94	94
C5NE-9F589-D	46	EXP-13523-AA	54	85NH-9N656-CA	64	960E-1076	214
80NH-9A335-AA	44	EXP-13527-AA	52	87NH-3N948-BA	64	E27N-7547	141
11-60462-AA	40	EXP-13528-AA	52	87NH-3N948-CA	64	E27-N7547	104
11-60461-AB	40	EXP-10325	56	87NH-3N948-AA	64	305061-S2	62
377485-S100	44	EXP-10330	56	85NH-9A760-BA	64	305061-S2	74
85NH-9A337-AA	44	EXP-10331	56	71NH-9792-A	62	93NH-311920-A	216
90NH-9A563-AA	44	EXP-10332	56	93NH-2472-AA	62	C5NN-N819-E	216
90NH-9A563-AA	66	EXP-10333	56	C5NN-8115-B	2	C5NN-N819-F	216
97325-S35	44	EXP-10334	56	C5NN-8115-B	75	C5NN-N823-G	216
71NH-9N035-A	44	EXP-10335	56	82NH-8100-AA	75	C5NN-A804-A	216
73NH-9N279-A	44	EXP-10336	56	71NH-8260-A	75	87838-S36	2
73NH-9N279-A	66	EXP-10337	56	74NH-8287-A	75	87055-S94	141
73NH-9N279-A	90	EXP-10338	56	74NH-8287-A	92	87055-S94	165
73NH-9N279-A	94	EXP-10339	56	C5NN-8286-B	75	D6NN-B486-A	165
73NH-9F596-A	44	EXP-10144	58	81NH-8N111-AA	75	D6NN-B486-A	88
91NH-9D546-BA	50	EXP-10145	58	82835422	75	D6NN-B486-A	92
C5NE-9E526-B	50	EXP-10142	58	C5NN-8125-A	75	86301-S36	145
EXP-13410-AA	48	EXP-10152	58	C7NN-8594-B	75	86301-S36	163
EXP-13411-AA	50	EXP-10153	58	92NH-8A559-AA	76	86301-S36	165
EXP-14100-AA	48	EXP-10154	58	C5NE-8509-A	76	86301-S36	94
EXP-13417-AA	48	EXP-10156	58	C5NE-8513-A	76	D3NN-N871-E	165
EXP-13436-AA	48	EXP-10908-A	58	E5NN-8507-AA	76	D5NN-N871-A	165
EXP-13436-AB	48	EXP-10909-A	58	D3NN-10C318-C	76	86483-S95	165
EXP-13436-AC	48	EXP-10907-A	58	90NH-8600-AB	76	D4NN-600-B	165
EXP-13436-AD	48	EXP-10906-A	58	82835059	76	E7NN-10A398-AB	173
EXP-13436-AE	48	EXP-10911-A	58	91NH-1N013-AA	82	71NH-10769-A	177
EXP-13436-AF	48	EXP-10912-A	58	88NH-1200-AA	82	C5NN-10N680-B	177
EXP-13436-AG	48	EXP-10913-A	58	11-30220-AB	82	91NH-8N096-AA	177
EXP-13436-AH	48	EXP-10155	58	11-30139-AA	82	C7NN-10N662-A	177
EXP-13437-AA	48	EXP-10146	58	11-30106-AA	82	C7NN-10N663-A	177
EXP-13437-AB	48	76NH-9350-A	58	91NH-1N014-AA	82	73NH-14277-A	177
EXP-13437-AC	48	EXP-10342	60	87901-S36	82	C5NN-14277-D	177
EXP-13437-AD	48	72NH-9176-B	60	93NH-351505-AA	86	C7NN-14450-A	177
EXP-13437-AE	50	72NH-9176-A	60	C7NN-3655-B	88	C7NN-14452-C	177
EXP-13437-AF	50	72NH-9165-A	60	C7NN-3665-B	92	E1NN-11667-AA	179
EXP-13437-AG	50	EXP-10896-A	60	D8NN-3N898-AA	88	82835125	179
EXP-13437-AH	50	E1ADKN-19243	62	D8NN-3N898-AA	92	92NH-13A350-AA	179
EXP-13453-AA	50	E1ADKN-19243	74	C5NN-3N052-A	86	92NH-13802-AA	179
EXP-13455-AA	50	82835105	62	C5NN-3N054-B	86	82835347	179
EXP-13456-AA	50	93NH-9B746-AA	62	C5NN-3N071-C	86	18-13030-AA	179
EXP-13458-AA	50	93NH-9B746-AA	74	11-30053-AA	86	E6NN-13A450-AA	179
82835036	44	11-91720-AA	62	11-33289-AA	86	F1NN-9278-AA	181
82835036	60	11-91720-AA	74	11-33546-AA	88	D3NN-17N269-A	181
EXP-13412-AA	50	92NH-9N720-AA	62	86196-S36	88	87067-S94	181
EXP-13448-AA	50	85NH-9740-AA	62	86196-S36	92	91NH-17N275-AA	181
EXP-13468-AA	50	85NH-9A791-AA	62	87907-S8	102	73NH-14N207-A	183



**70/80 FARMTRAC PART NUMBERS W/CORRESPONDING PAGE NUMBER**

<b>PART #</b>	<b>PAGE #</b>	<b>PART #</b>	<b>PAGE #</b>	<b>PART #</b>	<b>PAGE#</b>	<b>PART #</b>	<b>PAGE #</b>
D3NN-14197-J	183	C5NE-6278-A	10	377360-S36	184	N-630069-S36	38
82835101	169	73NH-6K632-A	14	377360-S36	62	N-630069-S36	38
74NH-13R312-A	184	80NH-6W663-AA	14	377360-S36	74	N-630069-S36	66
82835432	186	73NH-9N647-A	46	C5NN-1012-B	82	N-620014-S36	74
90NH-8N301-AA	186	380201-S36	46	D5NN-3N602-A	88	11-10239-AA	173
90NH-8N301-AA	188	73NH-9N661-A	44	D5NN-3N602-A	92	34806-S36	202
90NH-8N036-AA	186	73NH-9N661-A	56	11-33542-AA	86	34806-S36	44
90NH-8N036-AA	188	73NH-9N661-A	66	92NH-11662-A	179	34806-S36	75
90NH-8N036-AA	75	72NH-9E529-A	44	92NH-11662-BA	179	34806-S36	76
91NH-16A837-AA	186	72NH-9E529-A	56	C5NN-11N496-A	179	34806-S36	76
87NH-16N900-AA	186	EXP-13415-AA	48	78NH-10N849-AA	181	11-93333-AA	173
87NH-16N900-AA	188	EXP-10327	56	D1NN-8N212-A	194	304633-S36	177
E1NN-16874-AA	186	72NH-9G547-A	56	D1NN-8N212-A	196	304633-S36	200
E1NN-16874-AA	188	72NH-9D325-A	60	11-18713-AA	190	304633-S36	202
87NH-16N910-AC	186	72NH-9F278-A	60	11-18713-AA	192	304633-S36	62
87NH-16N910-AC	188	EXP-10344	60	76NH-16N802-A	190	304633-S36	74
E0NN-16N908-AA	186	352321-S36	62	76NH-16N802-A	192	44728-S36	74
E0NN-16N908-AA	188	73NH-9N658-A	62	76NH-16N802-A	194	33799-S36	179
E0NN-16N900-AB	186	230888	214	11-90105-AA	38	33799-S36	90
E0NN-16N900-AB	188	C5NN-2N547-B	141	11-90107-AA	38	34809-S36	200
93NH-8N095-AA	186	C5NN-2N547-B	102	EXP-13459-AA	50	34809-S36	44
93NH-8N095-AA	188	C5NN-2N547-B	102	EXP-13479-AA	52	34809-S36	88
C7NN-16N658-A	190	C5NN-2N547-B	104	EXP-13481-AA	52	34809-S36	92
C7NN-16N658-A	192	C5NN-N826-A	216	EXP-13505-AA	52	33850-S36	214
78NH-16N591-AA	194	73NH-10N005-A	173	EXP-13524-AA	54	33850-S36	4
71NH-16N600-A	196	E-630028-S71	173	EXP-13525-AA	54	11-68369-AA	40
C7NN-16625-M	190	92NH-11N654-AA	179	EXP-10345	60	SPF.587.000	8
C5NN-16N631-B	190	74NH-3N782-A	198	EXP-10343	60	11-65057-AA	2
C9NN-16N632-A	190	C5NN-16N647-A	190	EXP-10897-A	60	55889-S36	173
E1ADKN-16658	190	C5NN-16N647-A	192	31037-S36	62	45258-S2	173
C5NN-16N644-B	190	89NH-6065-AA	2	357622-S36	75	E-630023-S71	173
D3NN-16626-L	190	379548-S	2	11-30195-AA	82	E-630023-S71	192
C7NN-8042-A	190	89NH-6065-BA	8	54351-S36	179	11-89030-AA	44
C7NN-8042-A	192	E4TN-6214-AB	12	54351-S36	198	11-89030-AA	66
92NH-16N341-AA	202	C9NN-6730-B	14	EXP-12158-A	181	12-90680-AB	38
12-04450-BA	204	73NH-9N646-A	46	54677-S36	181	N-605517-S36	155
82835284	207	74NH-9N101-A	44	54677-S36	66	N-605517-S36	173
82835283	207	73NH-9N662-A	44	74NH-3E616-A	194	356420-S36	179
82835241	207	73NH-9N662-A	66	74NH-3E616-A	196	356420-S36	204
82835242	207	EXP-13447-AA	50	11-18712-AA	190	12-90380-AA	38
92NH-16A901-AA	209	C5NN-1107-F	82	11-18712-AA	192	25-01010-AA	82
E2NN-N515-A	209	C5NN-3C765-A	88	379223-S36	216	26-05407-AA	157
82835148	209	C5NN-10N768-B	177	NH-353374-S36	165	25-63370-BA	6
81NH-9B226-AA	209	C5NN-N448-A	184	56009-S36	192	C5NE-6529-A	8
93NH-14N099-AA	209	74NH-9N663-A	44	N-605515-S36	186	SPF.587.005	8
82972948	209	74NH-9N663-A	60	N-605515-S36	188	SPF.587.010	8
82835414	209	82835446	14	N-605515-S36	86	SPF.587.015	8
11-78478-AA	209	74NH-9N102-A	44	N-600322-S36	173	SPF.587.030	8
377490-S	86	EXP-13480-AA	52	N-630069-S36	112	SPF.383.110	6
C5NE-6278-A	8	EXP-13482-AA	52	N-630069-S36	173	SPF.384.120	6

**70/80 FARMTRAC PART NUMBERS W/CORRESPONDING PAGE NUMBER**

<b>PART #</b>	<b>PAGE #</b>	<b>PART #</b>	<b>PAGE #</b>	<b>PART #</b>	<b>PAGE#</b>	<b>PART #</b>	<b>PAGE #</b>
SPF.385.130	6	12-97126-BA	216	30-89052-CA	66	N-605518-S36	88
SPF.386.140	6	25-63302-AA	6	30-89053-CA	66	N-605518-S36	92
11-60463-AB	40	11-68578-AA	8	N-605545-S36	109	N-605518-S36	104
82835247	40	SPF.370.000	12	N-605545-S36	132	30-06268-AA	88
72NH-9D510-A	50	30-90541-AC	38	N-605545-S36	155	30-06268-AA	92
EXP-25000-AA	86	11-90540-AA	38	N-605545-S36	66	25-05190-BA	88
EXP-25001-AA	86	30-90542-AC	38	N-605545-S36	74	25-33390-AA	88
82835263	177	30-90380-AA	38	76NH-16803-A	66	25-05105-AC	88
11-30387-AA	82	82835409	62	9-412-038-308	48	25-05105-AC	92
11-33566-AA	88	82835409	74	9-411-038-576	48	87059-S94	88
11-33566-AA	92	30-91327-AA	74	2-413-372-119	48	25-05160-BA	90
NH-385894-S36	165	30-91214-BA	74	25-91200-AA	62	25-05160-BA	92
E62A-11502	179	30-91326-AA	74	NH-72016-S8	190	25-31051-AA	94
13-33240-AA	88	30-91329-AA	74	NH-72016-S8	192	25-33470-BA	90
13-33240-AA	92	30-91322-AA	74	NH-72016-S8	64	25-33480-AB	90
25-02100-AA	137	30-91321-AA	74	25-91090-AB	64	25-33480-AB	94
28-02100-AA	137	30-91324-AA	74	25-91210-BA	64	25-33410-BA	88
12-33532-AA	88	30-91323-AA	74	25-91184-AA	64	25-33430-BA	88
12-33532-AA	92	30-91320-AA	74	25-91181-AB	64	25-33450-BA	88
11-90420-AA	38	30-91191-CA	74	25-91067-BA	64	25-33587-AA	88
11-90640-BA	38	30-91334-AA	74	25-91180-BA	64	25-33587-AA	92
25-33586-AA	90	30-91090-AA	74	25-91190-AA	64	25-33520-BA	88
12-10376-BA	173	30-91330-AA	74	25-98553-AA	163	25-33520-BA	92
11-10145-AA	173	30-91336-AA	74	25-98553-AA	62	25-33360-AA	88
12-10160-AA	177	N-630076-S36	133	25-98553-AA	74	25-33360-AA	92
12-10107-AA	177	N-630076-S36	74	NH-72003-S8	62	25-33519-AA	88
12-10116-AA	177	N-601796-S36	133	NH-72003-S8	74	25-96041-AA	145
12-10118-AA	177	N-601796-S36	200	NH-72003-S8	74	25-96041-AA	163
34053-S36	198	N-601796-S36	74	25-91580-AD	62	25-96041-AA	94
12-89145-AA	181	N-601796-S36	88	25-91580-AD	74	25-96042-AA	94
27-13200-AA	183	N-601796-S36	92	25-44196-AA	62	25-05170-AA	165
27-13180-AA	183	N-601796-S36	102	E-620334-S72	62	25-05170-AA	88
27-13190-AA	183	N-601796-S36	104	E-620334-S72	74	25-05170-AA	92
27-13140-AA	183	30-68230-AC	42	25-91077-BA	62	30-06600-BA	92
27-13130-AA	183	30-68235-AC	42	25-91077-BA	74	87040-S94	92
25-13010-BA	184	25-89060-AA	44	25-91035-AB	62	87017-S94	92
13-13420-AB	184	30-89060-AA	66	25-91035-AB	74	30-06270-BA	92
13-13428-AB	179	25-64540-AA	44	25-80010-AA	75	30-06271-AB	92
11-16600-AA	194	15-64560-AA	44	30-80090-AA	75	30-05190-BA	92
11-97805-AA	216	25-64555-AA	44	30-80260-BB	75	30-05140-BA	163
25-13100-AA	169	25-64556-AA	44	30-80286-BA	75	30-05140-BA	94
11-97809-AA	216	25-64557-AA	44	25-30051-AB	86	25-05160-AA	163
30-16391-AA	198	11-64590-AA	44	43093-S36	86	25-05160-AA	94
30-16391-AA	216	11-64590-AA	56	302589-S36	86	25-96065-CA	94
25-96390-AB	163	30-89040-BB	66	11-33540-BD	86	30-06269-AA	92
25-96390-BA	163	30-89054-BA	66	25-33280-AC	86	30-33400-BA	94
25-18250-BA	186	N-603077-S36	66	N-630176-S36	216	30-33410-BA	94
25-18250-BA	188	30-89051-AC	66	C5NN-3A742-A	88	30-33430-AA	94
25-18251-AA	186	E-602184-S36	202	25-33400-BA	88	30-33450-AA	92
25-18251-AA	188	E-602184-S36	66	N-605518-S36	143	30-33546-AA	92

**70/80 FARMTRAC PART NUMBERS W/CORRESPONDING PAGE NUMBER**

<b>PART #</b>	<b>PAGE #</b>	<b>PART #</b>	<b>PAGE #</b>	<b>PART #</b>	<b>PAGE#</b>	<b>PART #</b>	<b>PAGE #</b>
30-33470-AA	94	N-642567-S8	141	26-70109-AA	108	26-70143-AA	110
30-33519-AA	94	N-642567-S8	102	26-70109-AA	108	26-70143-AA	155
30-33005-AE	92	25-70321-AA	116	26-70110-AA	108	26-70144-AA	110
30-33586-AA	94	25-70321-AA	102	26-70111-AA	108	25-70077-AA	110
30-06601-AA	92	25-44125-AA	126	N-605532-S36	108	25-70077-AA	112
25-70060-AM	96	25-44125-AA	127	N-605532-S36	127	25-70078-AA	110
N-605573-S	96	25-44125-AA	102	N-605532-S36	204	25-70078-AA	112
25-70304-AA	96	25-44125-AA	104	26-70112-AA	108	25-70230-AD	110
25-70304-AA	98	N-661211-S	126	26-70113-AA	108	25-70210-AD	110
25-75505-AA	96	N-661211-S	127	26-70114-AA	108	25-70452-AC	112
25-75505-AA	98	N-661211-S	149	26-70115-AA	108	25-70461-AA	112
25-70615-AA	96	N-661211-S	102	26-70116-AA	108	N-646656-S	112
25-70615-AA	98	N-661211-S	104	26-70117-AA	108	25-94236-AA	112
25-70615-AA	100	25-70324-AA	102	26-70118-AA	108	25-70447-AA	112
25-40507-AA	96	25-70322-AA	102	26-70119-AA	108	25-70010-AA	112
25-40507-AA	98	30-75564-BA	102	26-70120-AA	108	25-70020-AA	112
25-75516-AA	100	25-75220-AA	104	26-70121-AA	108	30-70020-AA	112
25-75110-AA	100	25-75170-CA	104	26-70122-AA	108	N-605548-S	112
N-646689-S36	126	30-75170-AA	104	26-70223-AA	121	25-70253-AA	112
N-646689-S	161	25-75140-BA	104	26-70224-AA	121	25-70259-AA	112
N-646689-S	100	25-75227-AA	104	26-70225-AA	121	N-605546-S36	112
25-75502-AA	100	30-75150-BA	104	26-70226-AA	121	N-605546-S36	163
25-75190-CB	100	25-44461-AA	126	26-70227-AA	121	N-605546-S36	42
25-75105-AA	100	25-44461-AA	127	26-70229-AA	121	25-70463-AA	112
25-75106-AA	100	25-44461-AA	104	26-70230-AA	121	25-70255-BB	112
25-75571-AA	100	25-75180-AB	104	26-70123-AA	109	25-70455-AA	112
25-75575-AA	100	25-75550-AA	105	26-70124-AA	109	E-620333	112
25-75590-AA	100	30-75500-AA	105	26-70124-AA	110	25-70462-AB	112
25-75585-AA	100	26-75580-AA	105	26-70125-AA	109	25-70430-CA	112
25-75580-AA	100	30-75550-AA	105	26-70125-AA	110	25-70430-CA	116
26-70142-AA	100	26-75590-AA	105	26-70126-AA	109	25-70451-AB	112
26-70142-AA	102	30-75590-AA	105	26-70127-AA	109	26-70145-AA	113
25-75515-AA	100	25-75123-AA	105	26-70127-AA	149	26-70145-AA	114
25-75520-AA	100	N-601317-S36	105	26-70128-AA	109	26-70145-AA	116
25-75520-AA	102	N-630028-S36	145	26-70129-AA	109	26-70146-AA	113
30-75520-BA	100	N-630028-S36	188	26-70130-AA	109	26-70146-AA	114
30-75520-BA	102	N-630028-S36	198	26-70131-AA	109	26-70146-AA	116
25-75107-AA	100	N-630028-S36	105	26-70131-AA	110	26-70147-AA	113
25-75125-AA	100	26-70101-AA	106	26-70132-AA	109	26-70148-AA	113
30-75125-AA	100	26-70102-AA	106	26-70133-AA	109	26-70148-AA	114
25-71700-AA	100	26-70103-AA	106	26-70134-AA	110	26-70149-AA	113
25-71700-AA	106	26-70104-AA	106	26-70135-AA	110	26-70150-AA	113
25-75130-BA	141	26-70105-AA	108	26-70136-AA	110	26-70150-AA	114
25-75130-BA	102	26-70106-AA	108	26-70136-AA	149	26-70151-AA	113
30-75598-AA	102	26-70106-AA	113	26-70136-AA	153	26-70151-AA	114
25-75081-AB	102	26-70106-AA	114	26-70137-AA	110	26-70152-AA	113
30-75081-AA	102	26-70106-AA	116	26-70138-AA	110	26-70153-AA	113
25-70323-AA	102	26-70106-AA	126	26-70139-AA	110	26-70153-AA	114
30-70323-AA	102	26-70107-AA	108	26-70140-AA	110	26-70154-AA	113
N-642831-S8	102	26-70108-AA	108	26-70141-AA	110	26-70155-AA	113



**70/80 FARMTRAC PART NUMBERS W/CORRESPONDING PAGE NUMBER**

<b>PART #</b>	<b>PAGE #</b>	<b>PART #</b>	<b>PAGE #</b>	<b>PART #</b>	<b>PAGE#</b>	<b>PART #</b>	<b>PAGE #</b>
26-70155-AA	114	26-70201-AA	120	26-70232-FA	125	26-70282-AA	129
26-70155-AA	116	26-70202-AA	120	26-70232-GA	125	26-70283-AA	129
26-70156-AA	113	26-70211-AA	120	26-70232-HA	125	26-70285-AA	131
26-70156-AA	114	26-70212-AA	120	26-70232-IA	125	26-70286-AA	131
26-70156-AA	116	26-70213-AA	120	26-70232-JA	125	26-70287-AA	131
26-70157-AA	113	26-70215-AA	120	26-70232-KA	125	26-70291-AA	131
26-70157-AA	114	26-70216-AA	120	26-70233-AA	125	D3NN-16N449-A	131
26-70157-AA	116	26-70217-AA	120	26-70234-AA	125	26-70376-AA	131
26-70158-AA	113	26-70218-AA	120	26-70235-AA	125	25-70472-AA	131
26-70158-AA	114	26-70219-AA	120	26-70236-AA	125	26-70292-AA	131
26-70158-AA	116	26-70220-AA	120	26-70237-AA	125	26-70292-AA	151
26-70159-AA	114	26-70221-AA	120	26-70238-AA	125	26-70303-AA	132
26-70164-AA	114	26-70222-AA	120	26-70239-AA	125	26-70307-AA	132
26-70162-AA	114	26-70222-BA	120	26-70240-AA	125	26-70373-AA	132
26-70160-AA	114	26-70222-CA	120	26-70241-AA	125	26-70314-AA	132
26-70165-AA	116	26-70243-AA	123	26-70242-AA	125	26-70306-AA	132
26-70166-AA	116	26-70244-AA	123	26-70258-AA	126	26-70250-AA	123
26-70167-AA	116	26-70245-AA	123	26-70259-AA	126	26-70250-AA	132
26-70168-AA	116	26-70246-AA	123	26-70259-AA	131	26-70313-AA	132
26-70169-AA	116	26-70247-AA	123	26-70260-AA	126	26-70374-AA	132
26-70170-AA	116	26-70249-AA	123	26-70262-AA	126	26-70295-AA	132
26-70171-AA	116	26-70249-AA	129	26-70263-AA	126	26-70375-AA	132
26-70171-AA	139	26-70249-BA	123	25-44120-AA	126	26-70324-AA	135
26-70172-AA	116	26-70249-BA	129	26-70264-AA	126	26-70325-AA	135
26-70173-AA	116	26-70249-CA	123	25-44196-BA	127	26-70326-AA	135
26-70174-AA	116	26-70249-CA	129	25-44196-BA	74	26-70327-AA	135
26-70177-AA	118	26-70249-DA	123	N-620334-S72	127	26-70328-AA	135
26-70178-AA	118	26-70251-AA	123	25-44190-DA	127	26-70329-AA	135
26-70178-BA	118	26-70252-AA	123	25-44111-AA	127	26-70330-AA	135
26-70178-CA	118	26-70253-AA	123	25-44220-AA	127	26-70331-AA	135
26-70179-AA	118	26-70254-AA	123	25-44090-BA	127	26-70332-AA	135
26-70179-AA	129	26-70255-AA	123	25-70265-AA	129	26-70333-AA	135
26-70179-AA	132	26-70256-AA	123	26-70265-AA	131	26-70334-AA	135
26-70180-AA	118	26-70257-AA	123	26-70266-AA	129	26-70335-AA	135
26-70181-AA	118	26-70316-AA	136	26-70267-AA	129	26-70336-AA	135
26-70185-AA	118	26-70315-AA	136	26-70268-AA	129	26-70337-AA	135
26-70185-AA	120	26-70317-AA	136	26-70269-AA	129	26-70338-AA	135
26-70189-AA	118	26-70318-AA	136	26-70270-AA	129	26-70339-AA	135
26-70189-AA	118	26-70319-AA	136	26-70270-AA	131	26-70339-BA	135
26-70190-AA	118	26-70320-AA	136	26-70271-AA	129	26-70339-CA	135
26-70191-AA	118	26-70321-AA	136	26-70272-AA	129	26-70339-DA	135
26-70192-AA	118	26-70322-AA	135	26-70273-AA	129	25-22120-BA	135
26-70193-AA	118	26-70322-AA	136	26-70274-AA	129	25-22120-BA	137
26-70194-AA	118	26-70323-AA	136	26-70275-AA	129	26-70340-AA	135
26-70195-AA	120	26-70231-AA	125	26-70276-AA	129	26-70341-AA	135
26-70196-AA	120	26-70232-AA	125	26-70277-AA	129	390627-S	2
26-70197-AA	120	26-70232-BA	125	26-70278-AA	129	73329-S	2
26-70198-AA	120	26-70232-CA	125	26-70279-AA	129	26-70342-AA	138
26-70199-AA	120	26-70232-DA	125	26-70280-AA	129	26-70343-AA	138
26-70200-AA	120	26-70232-EA	125	26-70281-AA	129	26-70343-AA	139

**70/80****70/80 FARMTRAC PART NUMBERS w/CORRESPONDING PAGE NUMBER**

<b>PART #</b>	<b>PAGE #</b>	<b>PART #</b>	<b>PAGE #</b>	<b>PART #</b>	<b>PAGE#</b>	<b>PART #</b>	<b>PAGE #</b>
26-70344-AA	138	26-05413-AA	145	26-05476-AA	149	26-05553-AB	155
26-70345-AA	138	26-05403-AA	145	26-05424-AA	149	26-05560-AA	155
26-70346-AA	138	26-05452-AA	145	26-05437-AA	149	26-05527-AA	155
26-70347-AA	138	26-05415-AA	145	26-05513-AA	149	26-05561-AA	155
26-70348-AA	138	26-05415-AA	149	26-05484-AA	149	26-05528-AA	155
26-70354-AA	138	26-05401-AA	145	26-05514-AA	149	26-05562-AA	155
26-70355-AA	138	26-05401-AA	151	26-05435-AA	149	26-05457-AA	155
26-70356-AA	138	26-05530-AA	145	26-05516-AA	149	26-05536-AA	157
25-22337-AB	141	26-05530-AA	147	26-05517-AA	149	26-05425-AA	157
30-22337-AB	141	26-05563-AA	145	26-05518-AA	149	26-05494-AA	157
87054-S92	141	26-05531-AA	145	26-05521-AA	149	26-05489-AA	159
30-22106-AA	141	26-05531-AA	149	26-05543-AA	149	25-05180-AC	159
30-22055-BB	141	26-05439-AA	145	26-05464-AA	151	25-55120-AC	161
25-22511-AB	141	26-05423-AA	145	26-05465-AA	151	25-57526-AA	161
30-22338-AB	141	26-05565-AA	145	26-05534-AA	151	25-57527-AA	161
25-22460-DA	141	26-05568-AA	145	26-05534-AA	151	25-57520-BB	161
30-22460-BA	141	25-05120-AC	145	26-05466-AA	151	25-55127-AA	161
87NH-2461-AA	141	25-06042-AA	145	26-05558-AA	151	25-05560-BC	161
25-22455-AA	141	25-06042-AA	163	26-05557-AA	151	25-55570-AA	161
25-22190-DB	141	26-05419-AA	147	26-05469-AA	151	25-05927-AB	161
30-22190-BB	141	26-05569-AA	147	26-05522-AA	151	25-55560-AA	161
25-22470-AA	141	26-05487-AA	147	26-05470-AA	151	25-55124-AA	161
30-22470-AA	141	26-05488-AA	147	26-05471-AA	151	25-05930-AA	161
30-22598-AA	141	26-05510-AA	147	26-05453-AA	151	25-55129-AC	161
N-642822-S36	141	26-05553-AA	147	26-05422-AA	151	25-055132-AA	161
N-642822-S36	143	26-05533-AA	147	26-05432-AA	151	25-05575-AA	163
26-70357-AA	139	26-05509-AA	147	26-05566-AA	151	25-055131-AA	161
26-70359-AA	139	26-05440-AA	147	26-05555-AA	151	25-17405-AA	202
26-70360-AA	139	26-05532-AA	147	26-05559-AA	151	SPF.381.100	6
26-70361-AA	139	26-05505-AA	147	26-05467-AA	151	13-60150-AA	44
26-70362-AA	139	26-05404-AA	147	26-05556-AA	151	30-63373-AA	22
26-70363-AA	139	26-05404-AA	151	26-05468-AA	151	30-64337-BA	66
26-70364-AA	139	26-05455-AA	147	26-05420-AA	153	F002-C30-108	56
26-70365-AA	139	26-05455-AA	153	26-05409-AA	153	85NH-9N656-AA	62
26-70366-AA	139	26-05441-AA	147	26-05461-AA	153	87039-S94	94
26-70368-AA	139	26-05405-AA	147	26-05462-AA	153	87059-S96	92
26-70369-AA	139	26-05564-AA	147	26-05458-AA	153	25-33560-AA	88
26-70370-AA	139	26-05438-AA	147	26-05524-AA	153	25-33585-BC	90
26-70371-AA	139	26-05434-AA	149	26-05525-AA	153	77NH-H972-A	165
26-70372-AA	139	26-05480-AA	149	26-05525-AA	155	77NH-H972-A	88
25-22220-BA	143	26-05486-AA	149	26-05410-AA	153	77NH-H972-A	92
25-22226-CB	143	26-05478-AA	149	26-05402-AA	153	25-75560-DB	102
25-22510-AA	143	26-05475-AA	149	26-05554-AA	153	30-75560-BC	102
25-22225-CA	143	26-05473-AA	149	26-05554-AA	155	30-75564-AB	98
N-646632-S36	143	26-05418-AA	149	26-05535-AA	153	25-75150-CB	104
25-05050-AA	145	26-05474-AA	149	26-05429-AA	155	11-33590-BA	88
26-05529-AA	145	26-05436-AA	149	26-05546-AA	155	11-33590-BA	92
26-05542-AA	145	26-70228-AA	121	26-05553-BA	155	92NH-9B829-AA	62
26-05456-AA	145	26-70228-AA	149	26-05548-AA	155	25-05110-AB	88
26-05454-AA	145	26-70228-AA	151	26-05428-AA	155	25-05110-AC	92

**70/80 FARMTRAC PART NUMBERS W/CORRESPONDING PAGE NUMBER**

<b>PART #</b>	<b>PAGE #</b>	<b>PART #</b>	<b>PAGE #</b>	<b>PART #</b>	<b>PAGE#</b>	<b>PART #</b>	<b>PAGE #</b>
25-31050-BB	90	30-75135-BA	102	E5NN-13A805-AA	179	25-16476-CC	198
25-31050-BC	94	30-75135-BA	102	30-13031-AA	196	30-16476-AD	198
74181-S	141	25-75517-AA	102	25-11439-AA	179	25-16474-CB	198
72090-S8	82	25-75154-BA	104	11-13480-AA	179	25-16554-BA	198
72090-S8	96	25-75154-AA	104	11-12949-AA	181	25-16465-BD	198
SPF.793.000	76	30-70103-AA	106	25-12380-AA	181	30-16465-AB	198
C2DE-8255-A	75	30-70104-AA	106	30-12380-AA	181	25-16551-BC	198
12-69570-AA	75	N-646663-S36	110	D8NN-9276-B	181	25-16001-CA	198
11-70011-AA	96	25-70445-AC	112	D5NN-9276-B	181	30-16001-AA	198
13-64150-AA	60	25-70258-AA	112	25-12310-AA	181	25-16002-AA	198
C5NN-7A578-A	102	25-70260-AA	112	25-12310-AA	66	30-16002-AA	198
SPF.787.002	4	25-70251-AA	112	30-12310-AA	181	25-16421-BA	198
SPF.788.002	4	30-70251-AA	112	80NH-17N271-AA	181	25-16421-BA	198
11-61059-AA	4	30-70255-BA	112	80NH-17N268-AA	181	30-16421-BA	198
11-61021-AA	4	25-70490-AB	112	D3NN-17N264-B	181	25-16477-BC	198
11-75600-AA	6	25-02112-AA	137	32-13110-AA	183	30-16477-AA	198
11-75600-AA	22	25-02113-AA	137	32-13140-AA	183	25-16553-AA	198
C5NN-7600-B	6	25-02114-AA	137	27-13110-AA	183	30-16478-AA	198
12-90522-AA	38	26-70353-AA	138	25-13009-AA	184	30-16392-AA	198
12-90515-AA	38	25-75162-AA	112	13-13331-AA	184	25-16498-CA	200
30-68239-AA	42	25-75162-AA	143	EXP-14211-S	184	25-16204-AA	200
12-64590-AA	56	11-13555-AA	167	30-19440-AA	188	25-16201-AA	200
25-91133-AA	64	11-13556-AA	167	30-18012-AA	188	25-16202-BA	200
26-75589-AA	105	11-13560-AA	167	30-18013-AA	188	25-16202-CA	200
26-75591-AA	105	11-13562-AA	167	30-16560-BA	192	E1ADKN-16659	192
25-70473-AA	131	11-13564-AA	167	30-16550-BA	192	30-16540-AA	192
25-92187-AA	133	11-13572-AA	167	30-16559-BA	192	30-18160-AA	188
25-92188-AA	133	11-13573-AA	167	30-16558-CB	192	30-18121-AA	192
25-92189-AA	133	11-13575-AA	167	30-16568-CB	192	25-16202-DA	200
26-70349-AA	138	11-13576-AA	167	30-16410-BC	188	25-16202-EA	200
26-70351-AA	138	11-13577-AA	167	30-16410-BC	196	25-16202-FA	200
26-70352-AA	138	11-13579-AA	167	11-18570-AA	186	25-16203-AB	200
C5NN-2472-B	141	11-13581-AA	167	11-18570-AA	188	30-16203-BB	200
26-05472-AA	149	11-13584-AA	167	C5NN-16N655-B	186	25-70444-CA	200
26-05445-AA	157	11-13585-AA	167	C5NN-16N655-B	188	25-16350-DA	202
26-05501-AA	157	11-13586-AA	167	30-18300-CA	196	30-16330-BB	202
26-05496-AA	157	11-13588-AA	167	25-18165-AA	194	25-16340-DA	202
26-05495-AA	157	11-13589-AA	167	25-18166-AA	194	30-16342-BB	202
26-05539-AA	157	11-13590-AA	167	30-18166-AA	196	11-17000-AA	202
26-05416-AA	157	11-13592-AA	169	25-18551-AC	196	25-16339-AA	202
26-05408-AA	157	11-13593-AA	169	13-16410-AB	194	25-04089-CA	204
26-05426-AA	157	76NH-11N076-A	169	30-18525-AA	192	30-04089-AA	204
26-05449-AA	157	11-93334-BA	173	30-16530-AA	192	25-98300-AA	207
26-05448-AA	157	11-10239-AB	173	30-16531-AA	192	30-98300-AA	207
25-05190-AB	159	30-10270-BA	177	25-16450-DC	198	30-98285-AA	207
NH-72054-S8	159	30-10163-BA	177	30-16450-BC	198	30-98285-AA	207
30-64575-AA	66	30-10274-BA	177	25-16491-CB	198	25-78292-AA	207
EXP-13466-AA	50	11-12050-AA	179	30-16491-AH	198	25-78515-AA	207
24-40210-009	58	11-11510-AA	179	25-16460-DB	198	25-78516-AA	207
30-70060-AA	98	30-11510-AA	179	30-16460-BD	198	25-78517-AA	207

**70/80 FARMTRAC PART NUMBERS W/CORRESPONDING PAGE NUMBER**

<b>PART #</b>	<b>PAGE #</b>	<b>PART #</b>	<b>PAGE #</b>	<b>PART #</b>	<b>PAGE#</b>	<b>PART #</b>	<b>PAGE #</b>
25-78520-AA	207	2848062	181	25-33558-AA	88	3861A027	16
25-78518-AA	209	906043	86	25-33557-AA	88	U5LB0311	16
25-78519-BA	207	EXP-20960-AA	44	25-57521-AA	161	ZZ90082	20
30-78292-AA	207	12-61035-AA	46	18-13031-AA	179	81558	20
25-78521-AA	209	73NH-9N663-A	56	18-13032-AA	179	81558A	20
E2NN-94000R86-AA	209	25-16554-AA	64	18-13033-AA	179	81558B	20
82835398	209	90NH-354228-AA	88	25-13011-AA	184	81558C	20
25-93125-AA	216	90NH-354228-AA	92	25-13012-AA	184	U5ME0006	20
E0NN-3A370-AA	212	26-70350-AA	138	ZZ50281	16	U5ME0006A	20
E9NN-3N241-AB	212	26-05414-AA	149	650710	16	U5ME0006B	20
F0NN-10A652-AA	212	26-05442-AA	149	650710	18	U5ME0006C	20
82835172	212	D8NN-2N212-AA	192	0650710-A	16	31137551	20
E0NN-3N238-AA	212	25-93481-AA	216	650588	16	31137312	20
E-643262-S	212	25-93481-AA	98	650588	16	31137561	20
E0NN-3N244-AA	212	11-98124-AA	209	650588	32	31137322	20
E0NN-3N243-AA	212	11-98125-AA	209	33142111	16	ZZ90188	20
82835171	212	11-98126-AA	209	32166329	16	3.11E+14	20
E0NN-3N245-AA	212	11-98127-AA	209	31134165	16	32762144	20
F0NN-10A652-AA	214	11-98128-AA	209	32418122	16	U5LP0058	20
25-97835-AA	216	25-98130-AF	209	32418122	18	U5LP0058B	20
25-97830-AA	216	25-78525-AA	209	32416118	16	U5LP0058D	20
86NH-2466-AA	112	11-06111-AA	165	32416118	34	2721322	20
25-05327-AA	145	27-13160-AA	183	2485A204	16	U4181A045	20
25-05327-AA	163	27-13140-BA	183	32417134	16	U4181A046	20
25-96010-CB	163	32-13140-BA	183	32161114	16	U4181A047	20
30-22591-AA	163	27-13180-BA	183	32418122-A	16	3117C061	20
25-96015-AA	163	27-13110-BA	183	32416119	16	500012	20
25-96039-BA	163	27-13170-AA	183	32168212	16	500012	24
25-96065-BA	163	27-13200-BA	183	3311R003	16	33221328	20
25-96064-BA	163	27-13130-BA	183	4142V066	16	2135A001	20
25-96110-BA	163	32-13120-BA	183	2418F475	16	ZZ80255	18
25-96140-BA	163	11-97028-AA	216	3681T018	16	3142H041	18
25-96579-EA	163	12-97126-CA	216	3212V002	16	3314A101	18
25-96391-AA	163	11-12360-AB	181	350009	16	3313A012	18
25-96392-AA	163	11-12360-CA	181	36171121	16	3174P412	18
25-96130-BA	163	25-97820-AA	216	36832144	16	2418M507	18
25-96120-BA	163	87NH-16N785-AA	186	2314H033	16	3342N011	18
25-96036-DC	163	87NH-16N785-AA	188	2314H033	70	3142V004	18
25-96043-AA	163	E0NN-16N906-AA	186	3314A103	16	3142D061	18
25-96035-DC	163	E0NN-16N906-AA	188	2116A022	16	3314A102	18
25-96185-BA	163	30-16452-AA	188	4138A017	16	3318A705	18
25-96344-AA	163	30-18530-AB	192	2538753	16	32166221	18
25-96327-AA	163	76NH-16N803-A	190	3174A004	16	2418M505	18
25-09665-AA	163	76NH-16N803-A	192	3271A003	16	2431A054	18
25-05140-BA	163	76NH-16N803-A	194	3623H008	16	U3244A009	18
25-05140-BA	165	30-18122-AA	192	3686T006	16	3.68E+45	18
25-05130-AC	165	30-18122-AA	196	3686T006	32	U3218J303	18
72054-S8	177	30-16559-AB	192	2314J033	16	U3218J606	18
30-11439-AA	179	25-18300-BC	194	2314J033	32	U3218J607	18
25-13360-BA	179	25-33559-AA	88	3278A003	16	ZZ90184	26

**70/80 FARMTRAC PART NUMBERS W/CORRESPONDING PAGE NUMBER**

<b>PART #</b>	<b>PAGE #</b>	<b>PART #</b>	<b>PAGE #</b>	<b>PART #</b>	<b>PAGE#</b>	<b>PART #</b>	<b>PAGE #</b>
ZZ90172	26	2551A009	28	3161C005	68	2314H002	34
650507	26	4132F041	28	43116-S2	22	2314H002	78
3818X901	26	3116V001	28	30-63370-AA	22	4142X099	34
4115R007	26	2551A014	28	30-63384-AA	22	2415731	34
31134166	26	35531136	28	2873B072	171	4.13E+17	32
4115R008	26	3117C071	28	2313C077	171	33554128	32
31744123	26	33451804	28	2318A604	171	2314J041	32
31743108	26	2314J666	28	2318A604	72	2314J049	32
3.78E+15	26	2551A201	28	920054	171	650594	32
2233022	26	3321A002	28	4113H073	80	3773T103	32
3311K015	26	3.27E+08	28	2314J014	80	2654403	32
32114145	26	3174D004	28	2614B666	80	2638O19	32
576052	26	3342A605	28	3717J051	30	2486A211	32
3311K012	26	U2644G001	68	32186405	30	2638C018	32
170151	26	3116K004	28	2415715	30	24860176	32
33811113	26	3116K014	28	3681K003	30	33813131	32
2313H331	26	2511A730	28	3627P023	30	3385H001	32
2318A605	26	350042	28	2311D039	30	4126K174	32
2314J607	26	3661K001	28	2431A016	30	3656M003	32
31434307	26	650586	28	3211P013	30	206009	32
3142U031	26	2431A054	28	2314H022	30	576117	32
3681P009	24	32558314	28	2314H023	30	566008	32
4111A013	24	33137409	28	2314H015	30	3383A001	32
50345	24	2314J013	28	3577A125	30	3573M014	32
33426161	24	2314H011	28	3178C088	30	2481877	32
3241H009	24	2314J015	28	33812116	30	3346C006	32
U3141D171	24	2116A056	28	4.13E+40	30	2314J001	32
2116053	24	28730179	68	3348Y007	30	2314H008	174
33153121	24	2648A116	68	2415A047	30	2314H008	32
3117L023	24	2313M059	68	26420318	68	2314H008	78
2314J606	24	3117L212	68	2314H012	28	33246123	32
3321A003	24	3644Y004	68	2314H012	30	3623H008	32
4142A415	24	2318A603	30	2314H012	78	U5MW0164	78
2418F436	24	2318A603	36	2314H006	174	2314H017	78
3681P038	24	2318A603	68	2314H006	30	2314K166	78
2314H005	174	2314J002	68	4142X187	34	U7LW0157	78
2314H005	24	2314J002	72	3681A049	34	3623H024	18
2314H013	174	3521H065	68	3274A003	34	3623H024	78
2314H013	174	3521H083	68	920009	34	U3685R009	18
2314H013	24	3521H067	68	33817135	34	U3685R009	78
3781N042	24	3521H068	68	33872532	34	3771K251	78
3781N043	24	U2645A058	68	3175P003	34	3686D007	78
2314F003	24	2645A311	68	2481877	32	3781A503	78
2314H034	24	2645K609	68	34821121	32	2485C036	78
2314H034	78	L311FF02	68	2481877	34	U5MH0056	78
4145L007	28	3558X051	68	36241123	34	21825198	78
2314J010	24	3355V002	68	3617A001	34	3381J008	78
2315C052	28	2415D051	68	3683H006	34	2415A090	78
3753R221	28	3218R005	68	2314H002	174	3687Y016	78
3117V003	28	2848A121	68	2314H002	18	2485C522	80

**70/80 FARMTRAC PART NUMBERS W/CORRESPONDING PAGE NUMBER**

<b>PART #</b>	<b>PAGE #</b>	<b>PART #</b>	<b>PAGE #</b>	<b>PART #</b>	<b>PAGE#</b>	<b>PART #</b>	<b>PAGE #</b>
2313H233	80	26560150	72	4133L017	78	N-601805-S36	204
2318D208	174	26560608	72	2415H492	78	N-601805-S36	98
2318D208	80	26560609	72	2314K161	78	N-601807-S36	94
3748W232	80	26431192	72	2871W013	174	N-605500-S36	62
3828D016	174	3.83E+09	72	2871W013	175	N-605531-S36	143
2314J003	174	2314J004	72	3681V013	42	N-605531-S36	181
2314J003	18	650204	72	3684N503	42	N-605531-S36	188
U3641V013	174	920154	72	3611M009	42	N-605531-S36	198
3615Y006	174	4125A033	70	2316T050	42	N-605531-S36	14
2314J602	174	33532129	70	2313C078	42	N-605542-S36	38
3113D001	174	33811114	70	2318A634	42	N-605548-S36	90
2131A008	174	3656P004	70	3681V502	42	N-605548-S36	94
2871A141	174	3656P008	70	ULPK0034	70	N-605559-S36	151
2871A141	175	3435A019	70	3685R007	70	N-605559-S36	177
28710252	175	33225412	70	25-05568-AA	161	N-605559-S36	198
28710355	175	33811112	70	25-05569-AA	161	N-605561-S36	198
28710254	175	3172X005	70	25-55572-AA	161	N-605574-S	98
28710255	175	3218R013	70	28730184	171	N-606321-S36	179
28710258	175	2415928	70	28730188	171	N-630012-S36	143
28710259	175	33225414	70	28730267	171	N-620012-S36	149
28710260	175	4122M012	70	28730238	171	N-620012-S36	186
28710261	175	4122M019	70	28730193	171	N-620012-S36	188
28710364	175	2314F006	70	28730209	171	N-620012-S36	64
3115C113	175	2318A602	70	25-12062-AA	194	N-620012-S36	74
Pulley	80	3653R002	70	30-18111-CA	66	N-620012-S36	86
2314C049	36	2314F002	70	30-89298-AA	66	N-620012-S36	104
920155	36	2314H003	174	30-64282-AB	66	N-620013-S36	149
3751K082	36	2314H003	16	D5NN-9276-A	66	N-620013-S36	163
2415B167	36	2314H003	24	566004	70	N-620013-S36	179
31172505	36	2314H003	42	2656086	72	N-620013-S36	188
33531137	36	2314H003	68	26560016	72	N-620013-S36	202
31733509	36	2314H003	70	490786	72	N-620013-S36	204
2314H043	36	920496	70	26560075	72	N-620013-S36	64
2313M058	36	2481D302	70	26560614	72	N-620013-S36	64
3211C001	36	576113	70	25-30160-BA	86	N-620013-S36	66
490373	36	U3648C008	18	25-30150-BA	86	N-620013-S36	74
2314F037	36	3654W007	18	25-30125-AA	86	N-620014-S36	173
2431154	36	U5LT0317	18	25-30367-AA	86	N-620016-S36	216
3777R081	42	3115T051	20	25-30368-AA	86	N620042-S36	131
3777R122	42	3241N001	20	26-70248-AA	123	N-620042-S36	198
3681V012	42	32186137	20	N-600212-S36	141	N-620042-S36	38
2314H607	42	2411157	18	N-600212-S36	155	N-620042-S36	66
2314H004	24	30-63011-BA	18	N-600212-S36	102	N-620042-S36	102
2314H004	28	11-12109-BA	18	N-600213-S36	198	N-62042-S36	127
2314H004	42	3716C163	24	N-600218-S8	205	N-620603-S36	204
2314H004	78	4111K065	28	N-600313-S36	173	N-630013-S36	198
3766P172	42	3766P097	32	N-600415-S36	98	N-630066-S36	66
3.78E+114	42	3686L007	32	N-600417-S36	204	N-630067-S36	143
3218J013	42	2314J037	32	N-600417-S36	98	N-630067-S36	173
2656F802	72	2648062	32	N-600420-S36	98	N-630067-S36	186

**70/80 FARMTRAC PART NUMBERS W/CORRESPONDING PAGE NUMBER**

<b>PART #</b>	<b>PAGE #</b>
N-630067-S36	188
N-630067-S36	200
N-630067-S36	64
N-630067-S36	74
N-630067-S36	86
N-630067-S36	104
N-630068-S36	163
N-630068-S36	198
N-630068-S36	204
N-630068-S36	66
N630070-S36	141
N-630070-S36	143
N-630070-S36	88
N-630070-S36	92
N-630070-S36	102
N-630070-S36	104
N-630173-S36	127
N-630173-S36	143
N-630173-S36	151
N-630173-S36	153
N-630173-S36	155
N-630173-S36	179
N-630173-S36	188
N-630173-S8	205
N-630173-S36	14
N-630174-S36	38
N-630174-S36	112
N-630174-S36	155
N-630174-S36	163
N-630174-S36	198
N-630174-S36	38
N-630174-S36	66
N-630174-S36	94
N-630174-S36	105
N-630187-S36	204
N-630187-S36	94
N-630317-S36	186
N-630317-S36	188
N-662423-S36	127
N-662423-S8	102









 LongAgribusiness

REMEMBER TO CONTACT YOUR LOCAL DEALER  
FOR GENUINE LONGAGRIBUSINESS PARTS.

Part No. 751429

Printed in the USA

04/04

**YOUR SERVICING DEALER**

